

GPT244

INTRODUCTION

GPT244 differential pressure transmitter adopts the technology of monocrystalline silicon sensor, is suitable to measure flow, level, density and pressure of the measured liquids, gases and steam. It is a kind of differential pressure measurement instruments with the function of radio data transmission and the characteristics of battery-powered. Wireless transmission methods are SWSN (Our own efficient protocol transmission method) and Lora (Spread spectrum wireless transmission method), which has the characteristics of ultra-low power consumption and ultra-strong signal penetration respectively.

FEATURES

- Built-in high precision monocrystalline silicon pressure sensor, high measurement range
- Ultra-high overvoltage performance
- Local three-button setting
- Standard testing range reference accuracy: $\pm 0.075\%FS$
- Ultra-low power consumption , 1s sending interval, 3 years battery life. (SWSN)
5s sending interval, 8 years battery life. (SWSN)
- LORA spread spectrum wireless transmission distance up to 5 kilometers (Sight Distance)
- 5 digits LCD ultra-low power segment code display
- Timing send+Changes send function
- Dual frequency redundant communication function (optional)

APPLICATION

- Wind pressure and flow velocity measurement in industrial processes
- Measuring systems such as dry gases
- Pipe and furnace pressure measurement
- Petrochemical industry

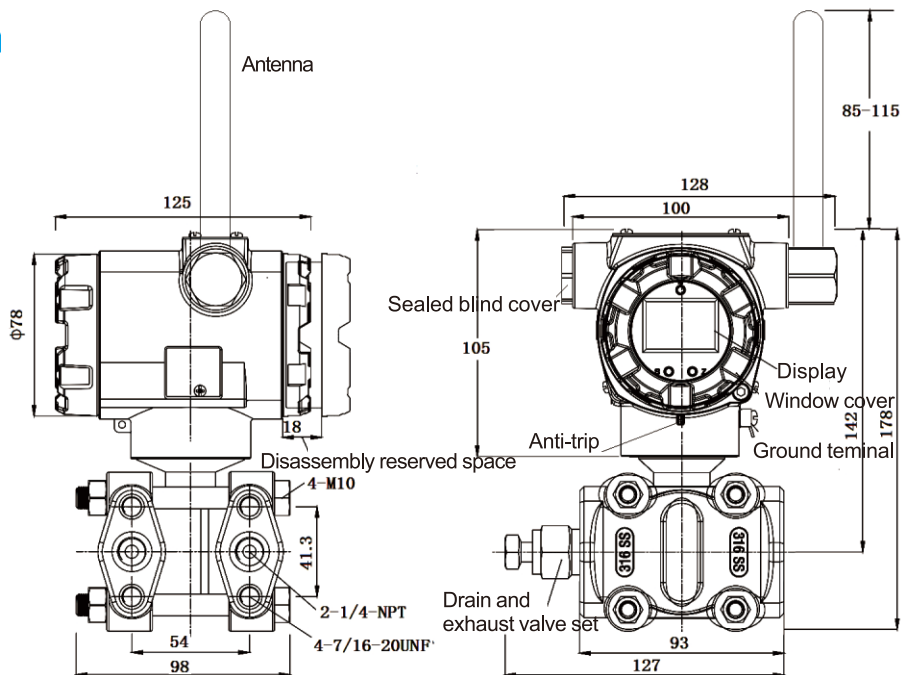


**Disponibile Explosion-proof:
Ex-ia IIC T4 Ga**

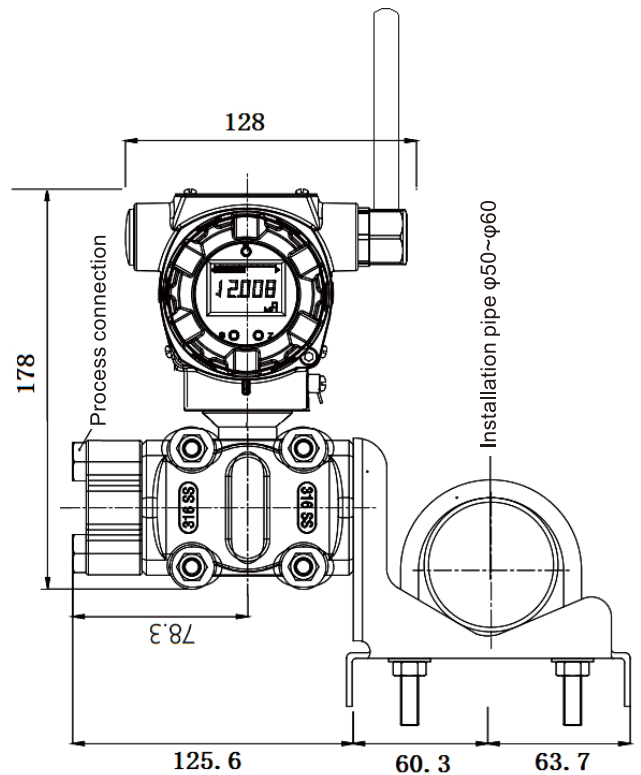
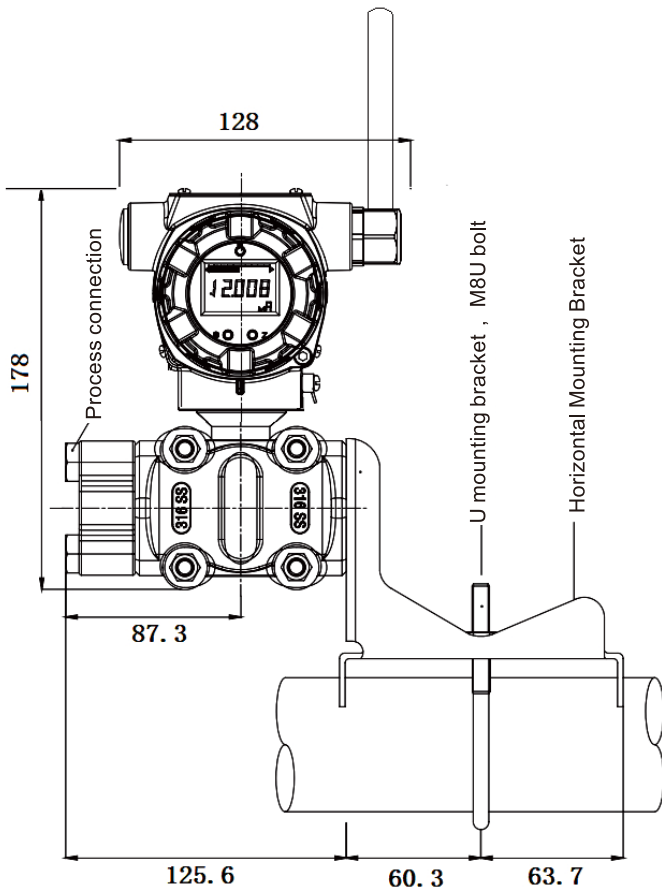
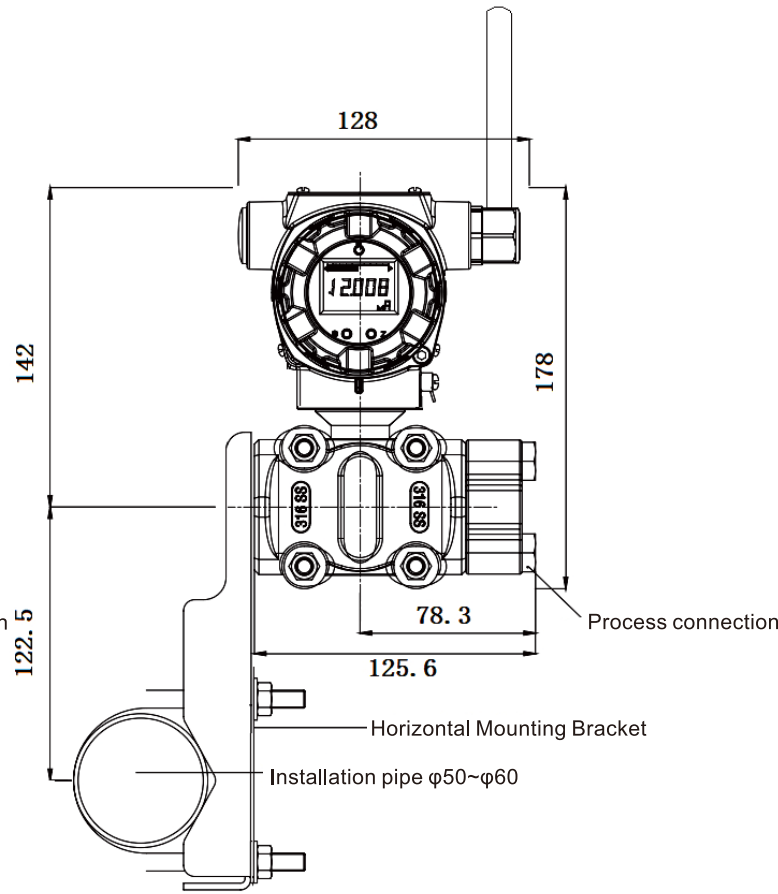
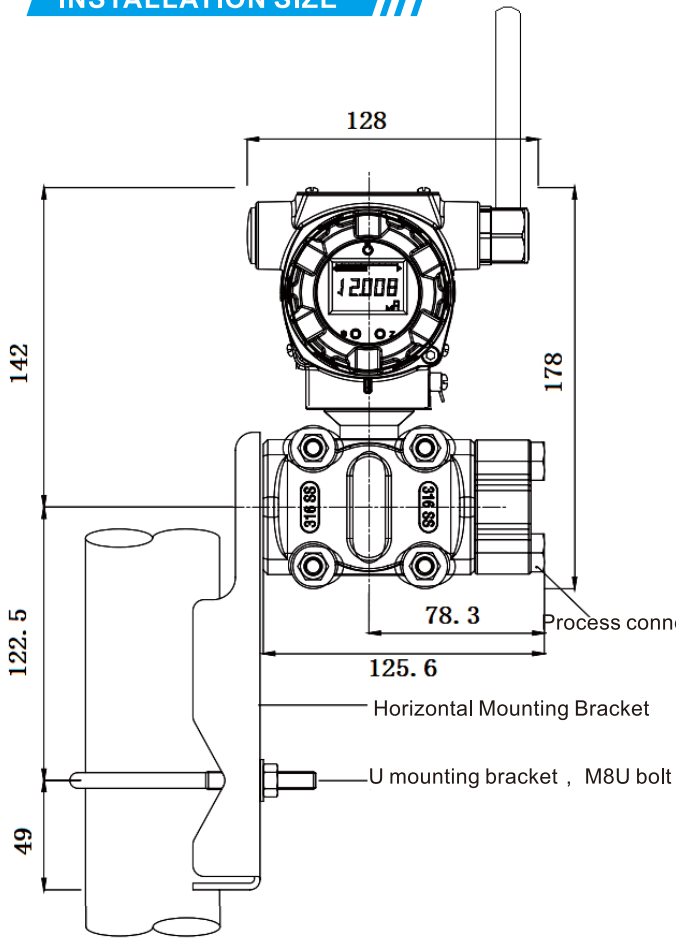
TECHNICAL PARAMETERS

| | | | | | | | |
|---|--|------|------|--------------------------------------|------|------|-------|
| Pressure range | -500kpa~0~10Mpa | | | | | | |
| Resolution | 0.01 | | | | | | |
| Reference accuracy | ±0.075%FS | | | | | | |
| Wireless transmission | GFSK SWSN ; LORA ; | | | | | | |
| Data upload interval | 1-255s(GFSK) ; 1-255min(LORA) ; | | | | | | |
| Data upload mode | Timed upload ; Changes upload(Changes limit can be set) | | | | | | |
| Equipment working environment | -40~85°C; humidity 0~95%RH, no condensation | | | | | | |
| Environment temperature influence | Total impact/28°C(50°F) ± [0.08% range +0.015% upper range limits] | | | | | | |
| Static influence | ±0.1% range/10MPa | | | | | | |
| Stability | ±0.1% upper range limits/5 Yrs | | | | | | |
| Power effect | ±0.005%/1V | | | | | | |
| Protection grade | IP66 | | | | | | |
| Fixed method | Fastening with U-bolts on 50mm (2-inch) pipes | | | | | | |
| Weight | 3.0~3.2kg | | | | | | |
| Battery parameters | Capacity 19000mAh, voltage 3.6V | | | | | | |
| Sending interval | 0.25s | 1s | 2s | 5s | 1min | 2min | 10min |
| Battery life | 0.8Yr | 3Yrs | 5Yrs | 10Yrs | 1Yr | 3Yrs | 8Yrs |
| Wireless transmission | SWSN | SWSN | SWSN | SWSN | LORA | LORA | LORA |
| Testing condition : 20°C 60%RH Lab Battery Self-Discharge Rate : <1%/Yr | | | | | | | |
| Radio parameters | | | | | | | |
| Wireless mode | SWSN | | | LORA | | | |
| Transmission distance(sight distance) | 1000~2000m | | | 5000~10000m | | | |
| Transmission distance(Obstacles, reference) | 50-250m | | | 250-1000m | | | |
| Carrier Frequency | 430~470~510M 860~930M(customized) | | | 430~470~510M 860~930M(customized) | | | |

DIMENSION



INSTALLATION SIZE



ORDER GUIDANCE ///

| | | | | | | | | | | | |
|--------|-----------------------------------|---|--|---|-------------------|---|------------------------|---|------------------|---|----------------|
| GPT244 | Differential pressure transmitter | | | | | | | | | | |
| | Code | | Output signal | | | | | | | | |
| | GF | SWSN GFSK wireless(Sight distance1000m) | | | | | | | | | |
| | LR | LORA wireless(Sight distance 5000m) | | | | | | | | | |
| | Code | | Pressure range | | | | | | | | |
| | F | -6~6KPa (Static pressure 16MPa) | | | | | | | | | |
| | L | -10~10KPa (Static pressure 16MPa) | | | | | | | | | |
| | M | -100~100KPa (Static pressure 16MPa) | | | | | | | | | |
| | H | -500~500KPa (Static pressure 16MPa) | | | | | | | | | |
| | VL | 0~4MPa (Static pressure 25MPa)customized | | | | | | | | | |
| | VM | 0~10MPa (Static pressure 25MPa)customized | | | | | | | | | |
| | Code | | Wetted material | | Process interface | | Isolation membrane box | | Isolation gasket | | Drain/Gas plug |
| | S | | | | 316 | | 316L | | PTFE | | 316 |
| | Code | | Process interface | | | | | | | | |
| | 3 | | Process connector with 1/4NPT F | | | | | | | | |
| | 4 | | Process connector with 1/2NPT F | | | | | | | | |
| | Code | | Bolts and nuts material | | | | | | | | |
| | J | | Carbon steel with plastic sprayed, carbon steel galvanized | | | | | | | | |
| | B | | 304 stainless steel | | | | | | | | |
| | G1 | | 316L stainless steel | | | | | | | | |
| | Code | | Installation | | | | | | | | |
| | 8 | | Horizontal installation, high pressure at right side | | | | | | | | |
| | 9 | | Horizontal installation, high pressure at left side | | | | | | | | |
| | Code | | Amplifier Housing | | | | | | | | |
| | 1 | | Cast aluminum alloy | | | | | | | | |
| | Code | | Electrical interface | | | | | | | | |
| | 7 | | 1/2NPT F Two electrical interfaces with one blind plug (wired type) | | | | | | | | |
| | 9 | | M20*1.5 F Two electrical interfaces with one blind plug (wired type) | | | | | | | | |
| | 0 | | M20*1.5 F an electrical interface with plug (No wire plug) | | | | | | | | |
| | Code | | Built-in display | | | | | | | | |
| | D | | Digital display | | | | | | | | |
| | N | | None | | | | | | | | |
| | Code | | 2-inch Pipe Mounting Brackets | | | | | | | | |
| | A | | Carbon steel with plastic sprayed, flat bracket | | | | | | | | |
| | B | | 304 stainless steel, flat bracket | | | | | | | | |
| | C | | Carbon steel with plastic sprayed, L type bracket | | | | | | | | |
| | D | | 304 stainless steel, L type bracket | | | | | | | | |
| | J | | 316 stainless steel, flat bracket | | | | | | | | |
| | K | | 316 stainless steel, L type bracket | | | | | | | | |
| GPT244 | D | M | S | 4 | J | 8 | 1 | 9 | D | B | |