

# Ultra High Pressure Fittings Nipples and Tubing

## 100 Series

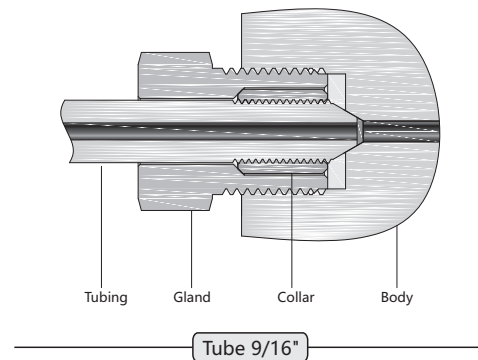
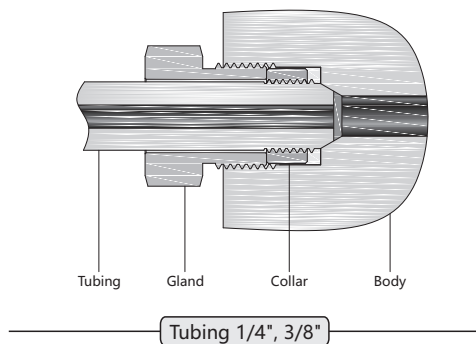
### Features

- ❖ Maximum working pressure up to 100,000 psi (6900 bar)
- ❖ Working temperature from 0°F to 600°F (-18°C to 315°C)
- ❖ Coned-and-Threaded Connection
- ❖ Tubing sizes available for 1/4", 3/8", 9/16"
- ❖ Anti-vibration connection components available

### Standard Materials of Construction

Component	Material	Standard
Body, Collar, Gland Tubing	316 Stainless Steel	ASTM A479

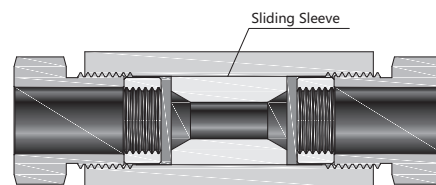
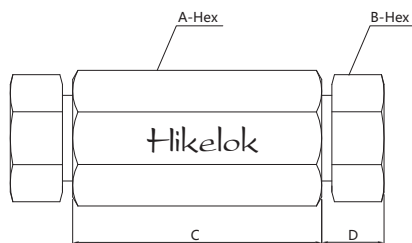
- ❖ Hikelok 100 Series Tube Fittings and Tubing can be made with materials suitable for sour gas service are available, materials are selected in accordance with NACE MR0175/ISO 15156



### Dimensions

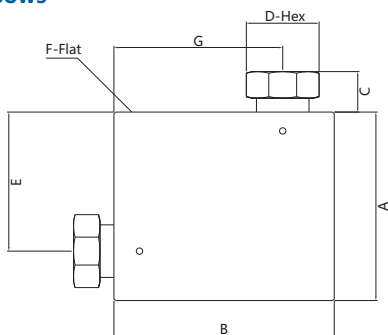
- ❖ All dimensions for reference only and subject to change

### Unions



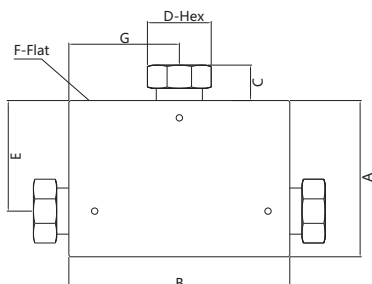
T-Tube O.D. in.	Fitting Type	Basic Ordering Number	Orifice in. (mm)	Dimension in. (mm)			
				A	B	C	D
1/4	Unions	100U-XPF4-	0.094 (2.39)	1.12 (28.45)	0.75 (19.05)	2.62 (66.55)	0.52 (13.21)
	Unions(Slip on type)	100SU-XPF4-					
3/8	Unions	100U-XPF6-	0.125 (3.18)	1.12 (28.45)	0.75 (19.05)	2.62 (66.55)	0.52 (13.21)
	Unions(Slip on type)	100SU-XPF6-					
9/16	Unions	100U-XPF9-	0.188 (4.78)	1.38 (35.05)	1.19 (30.23)	2.19 (55.63)	0.81 (20.57)
	Unions(Slip on type)	100SU-XPF9-					

### Elbows



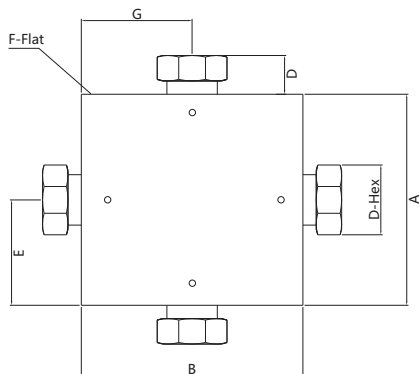
T-Tube O.D. in.	Basic Ordering Number	Orifice in. (mm)	Dimension in. (mm)						
			A	B	C	D	E	F	G
1/4	100UE-XPF4-	0.094 (2.39)	2.12 (53.85)	3.00 (76.20)	0.52 (13.21)	0.75 (19.05)	1.50 (38.10)	1.38 (35.05)	1.50 (38.10)
3/8	100UE-XPF6-	0.125 (3.18)	2.12 (53.85)	3.00 (76.20)	0.52 (13.21)	0.75 (19.05)	1.50 (38.10)	1.38 (35.05)	1.50 (38.10)
9/16	100UE-XPF9-	0.188 (4.78)	2.24 (56.90)	2.62 (66.55)	0.81 (20.57)	1.19 (30.23)	1.50 (38.10)	1.50 (38.10)	1.88 (47.75)

### Tees



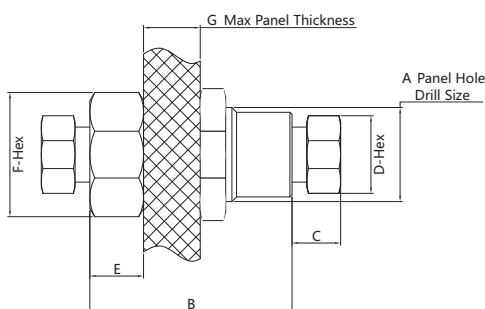
T-Tube O.D. in.	Basic Ordering Number	Orifice in. (mm)	Dimension in. (mm)						
			A	B	C	D	E	F	G
1/4	100UT-XPF4-	0.094 (2.39)	2.12 (53.85)	3.00 (76.20)	0.52 (13.21)	0.75 (19.05)	1.50 (38.10)	1.38 (35.05)	1.50 (38.10)
3/8	100UT-XPF6-	0.125 (3.18)	2.12 (53.85)	3.00 (76.20)	0.52 (13.21)	0.75 (19.05)	1.50 (38.10)	1.38 (35.05)	1.50 (38.10)
9/16	100UT-XPF9-	0.188 (4.78)	2.12 (53.85)	2.62 (66.55)	0.81 (20.57)	1.19 (30.23)	1.38 (35.05)	1.50 (38.10)	1.31 (33.27)

### Crosses



T-Tube O.D. in.	Basic Ordering Number	Orifice in. (mm)	Dimension in. (mm)						
			A	B	C	D	E	F	G
1/4	100UC-XPF4-	0.094 (2.39)	3.00 (76.20)	3.00 (76.20)	0.52 (13.21)	0.75 (19.05)	1.50 (38.10)	1.38 (35.05)	1.50 (38.10)
3/8	100UC-XPF6-	0.125 (3.18)	3.00 (76.20)	3.00 (76.20)	0.52 (13.21)	0.75 (19.05)	1.50 (38.10)	1.38 (35.05)	1.50 (38.10)
9/16	100UC-XPF9-	0.188 (4.78)	2.75 (69.85)	2.62 (66.55)	0.81 (20.57)	1.19 (30.23)	1.38 (35.05)	1.50 (38.10)	1.31 (33.27)

### Bulkhead Couplings



T-Tube O.D. in.	Basic Ordering Number	Orifice in. (mm)	Dimension in. (mm)						
			A	B	C	D	E	F	G
1/4	100BU-XPF4-	0.094 (2.39)	2.12 (53.85)	3.25 (82.55)	0.52 (13.21)	0.75 (19.05)	1.38 (35.05)	2.00 (50.80)	0.38 (9.65)
3/8	100BU-XPF6-	0.125 (3.18)	2.12 (53.85)	3.25 (82.55)	0.52 (13.21)	0.75 (19.05)	1.38 (35.05)	2.00 (50.80)	0.38 (9.65)
9/16	100BU-XPF9-	0.188 (4.78)	1.69 (42.93)	2.75 (69.85)	0.81 (20.57)	1.19 (30.23)	1.00 (25.40)	1.88 (47.75)	0.38 (9.65)

### How to Order

**100U** — **XPF4** — **316**

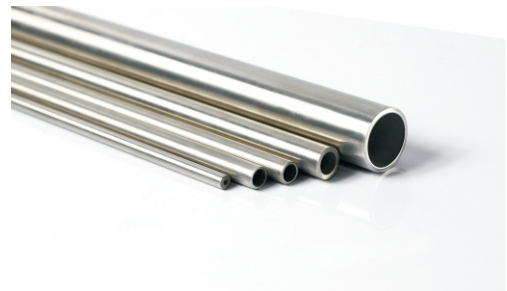
Fitting Type	Connection Type	Connection Size	Body Material
<b>100U</b> Unions	<b>XPF</b> Ultra High Pressure Fittings	<b>4</b> 1/4 in.	<b>316</b> 316 S.S.
<b>100SU</b> Unions(Slip on type)		<b>6</b> 3/8 in.	
<b>100UE</b> Elbows		<b>9</b> 9/16 in.	
<b>100UT</b> Tees			
<b>100UC</b> Crosses			
<b>100BU</b> Bulkhead Couplings			

## 100 Series Tubing

❖ 100 series ultra high pressure tubing is manufactured specifically for ultra high pressure applications

### Dimensions

Basic Ordering Number	Tube O.D. in. (mm)	Tube I.D. in. (mm)	Tube Wall Thickness in. (mm)
100FT-4-0.083-6M-	1/4 (6.35)	0.083 (2.11)	0.083 (2.11)
100FT-6-0.125-6M-	3/8 (9.63)	0.125 (3.18)	0.125 (3.18)
100FT-9-0.188-6M-	9/16 (14.29)	0.188 (4.78)	0.187 (4.75)



### Technical Data

Tube O.D. in. (mm)	Working Pressure, psig (bar)			
	-325 to 100°F (-198 to 37.8°C)	200°F (93°C)	400°F (204°C)	600°F (316°C)
1/4 (6.35)	100,000 (6900)	83,000 (5727)	72,000 (4965)	65,000 (4480)
3/8 (9.63)	100,000 (6900)	83,000 (5727)	72,000 (4965)	65,000 (4480)
9/16 (14.29)	100,000 (6900)	83,000 (5727)	72,000 (4965)	65,000 (4480)

### How to Order

**100FT** — **4** — **0.083** — **6M** — **TP316**

Tubing Type	Tubing O.D. (in.)	Wall Thickness (in.)	Nominal Length (m/feet)	Material Grade
<b>100FT</b> 100 Series ultra high pressure tubing	<b>4</b> 1/4 in.	0.083	<b>1M</b> 1 meter <b>2M</b> 2 metres <b>3M</b> 3 metres <b>4M</b> 4 metres <b>5M</b> 5 metres <b>6M</b> 6 metres <b>10F</b> 10 feet <b>20F</b> 20 feet	TP316
	<b>6</b> 3/8 in.	0.125		
	<b>9</b> 9/16 in.	0.187		

## Coned and Threaded Nipples

❖ Supply coned and threaded nipples in various sizes and lengths for 100 series ultra high pressure valves and fittings

### How to Order

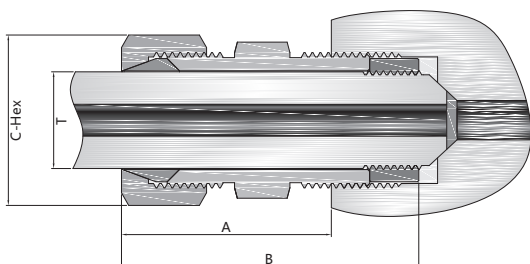
**NIP** — **XPF4** — **4** — **316**

Type	Connection Type	Connection Size	Nominal Length	Material
<b>NIP</b> Coned and Threaded Nipples	<b>XPF</b> Ultra High Pressure Fittings	<b>4</b> 1/4 in.	<b>4</b> 4 in.	<b>316</b> 316 S.S.
		<b>6</b> 3/8 in.	<b>6</b> 6 in.	
		<b>9</b> 9/16 in.	<b>8</b> 8 in.	
		<b>10</b> 10 in.	<b>10</b> 10 in.	

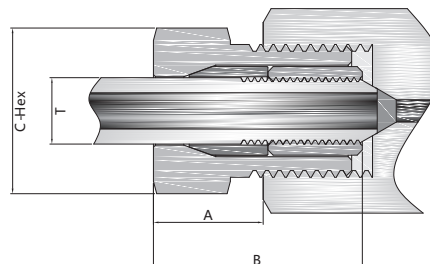


## Anti-Vibration Collet Gland Assemblies

- ❖ Completely interchangeable with standard 100 series ultra high pressure connections
- ❖ Moving the stress concentration back to the unthreaded part of the tubing and providing a wedge-typegripping action
- ❖ Anti-vibration collet gland assembly strengthens the entire structure



Tubing 1/4", 3/8"



Tube 9/16"

Tube O.D. in.	Basic Ordering Number	Dimension in. (mm)		
		A	B	C
1/4	AVA-XPF4-	1.06 (26.92)	1.65 (41.91)	0.625 (15.88)
3/8	AVA-XPF6-	1.38 (34.92)	1.88 (47.62)	0.75 (19.05)
9/16	AVA-XPF9-	1.00 (25.40)	1.50 (38.10)	1.19 (30.16)

### How to Order

**AVA** — **XPF4** — **316**

Type	Connection Type	Connection Size	Material
<b>AVA</b> Anti-Vibration Collet Gland Assemblies	<b>XPF</b> Ultra High Pressure Fittings	<b>4</b> 1/4 in.	<b>316</b> 316 S.S.
		<b>6</b> 3/8 in.	
		<b>9</b> 9/16 in.	

# Ultra High Pressure Fittings Nipples and Tubing

## 150 Series

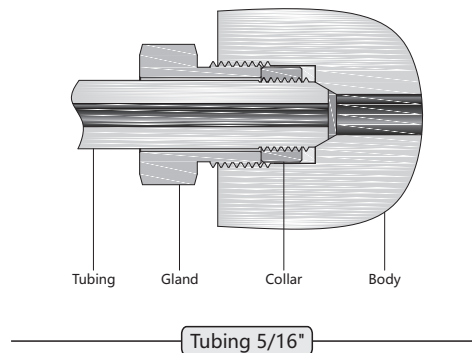
### Features

- ❖ Maximum working pressure up to 150,000 psi (10350 bar)
- ❖ Working temperature from 0°F to 600°F (-18°C to 315°C)
- ❖ Coned-and-Threaded Connection
- ❖ Tubing sizes available for 5/16"
- ❖ Anti-vibration connection components available

### Standard Materials of Construction

Component	Material	Standard
Body, Collar, Gland Tubing	316 Stainless Steel	ASTM A479

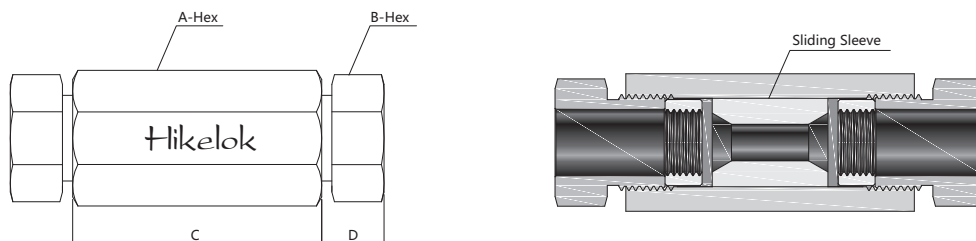
- ❖ Hikelok 150 Series Tube Fittings and Tubing can be made with materials suitable for sour gas service are available, materials are selected in accordance with NACE MR0175/ISO 15156



### Dimensions

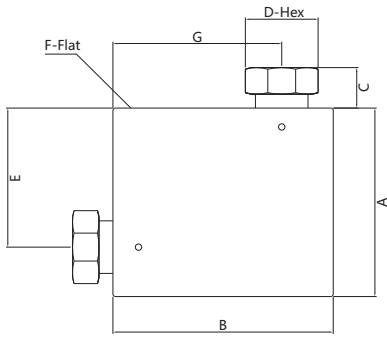
- ❖ All dimensions for reference only and subject to change

### Unions



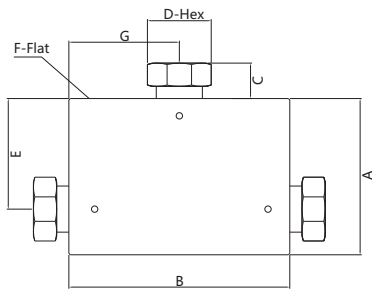
T-Tube O.D. in.	Fitting Type	Basic Ordering Number	Orifice in. (mm)	Dimension in. (mm)			
				A	B	C	D
5/16	Unions	150U-XPf5-	0.094 (2.39)	1.12 (28.45)	0.75 (19.05)	2.62 (66.55)	0.52 (13.21)
	Unions(Slip on type)	150SU-XPf5-					

**Elbows**



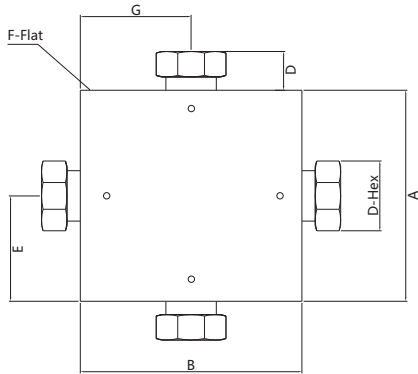
T-Tube O.D. in.	Basic Ordering Number	Orifice in. (mm)	Dimension in. (mm)						
			A	B	C	D	E	F	G
5/16	150UE-XPF5-	0.094 (2.39)	2.12 (53.85)	3.00 (76.20)	0.52 (13.21)	0.75 (19.05)	1.50 (38.10)	1.38 (35.05)	1.50 (38.10)

**Tees**



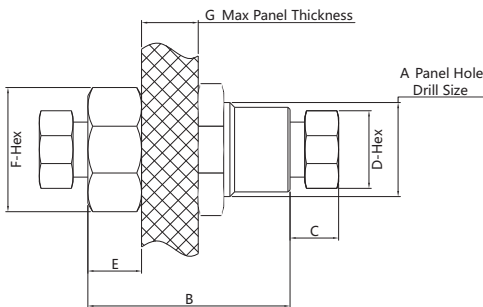
T-Tube O.D. in.	Basic Ordering Number	Orifice in. (mm)	Dimension in. (mm)						
			A	B	C	D	E	F	G
5/16	150UT-XPF5-	0.094 (2.39)	2.12 (53.85)	3.00 (76.20)	0.52 (13.21)	0.75 (19.05)	1.50 (38.10)	1.38 (35.05)	1.50 (38.10)

**Crosses**



T-Tube O.D. in.	Basic Ordering Number	Orifice in. (mm)	Dimension in. (mm)						
			A	B	C	D	E	F	G
5/16	150UC-XPF5-	0.094 (2.39)	3.00 (76.20)	3.00 (76.20)	0.52 (13.21)	0.75 (19.05)	1.50 (38.10)	1.38 (35.05)	1.50 (38.10)

**Bulkhead Couplings**



T-Tube O.D. in.	Basic Ordering Number	Orifice in. (mm)	Dimension in. (mm)						
			A	B	C	D	E	F	G
5/16	150BU-XPF5-	0.094 (2.39)	2.12 (53.85)	3.25 (82.55)	0.52 (13.21)	0.75 (19.05)	1.38 (35.05)	2.00 (50.80)	0.38 (9.65)

## How to Order

**150U** — **XPF5** — **316**

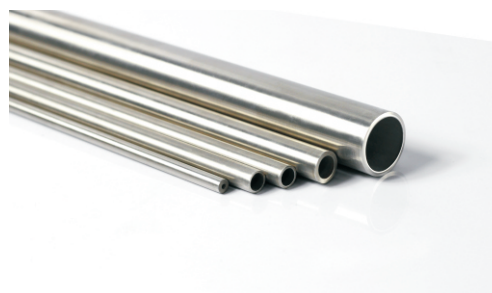
Fitting Type	Connection Type	Connection Size	Body Material
<b>150U</b> Unions <b>150SU</b> Unions(Slip on type) <b>150UE</b> Elbows <b>150UT</b> Tees <b>150UC</b> Crosses <b>150BU</b> Bulkhead Couplings	XPF Ultra High Pressure Fittings	5 5/16 in.	316 316 S.S.

## 150 Series Tubing

❖ 150 series ultra high pressure tubing is manufactured specifically for ultra high pressure applications

### Dimensions

Basic Ordering Number	Tube O.D. in. (mm)	Tube I.D. in. (mm)	Tube Wall Thickness in. (mm)
150FT-5-0.062-6M-	5/16 (7.94)	0.062 (1.57)	0.125 (3.18)



### Technical Data

Tube O.D. in. (mm)	Working Pressure, psig (bar)			
	-325 to 100°F (-198 to 37.8°C)	200°F (93°C)	400°F (204°C)	600°F (316°C)
5/16 (7.94)	150,000 (10350)	150,000 (10350)	144,400 (9956)	136,350 (9401)

## How to Order

**150FT** — **5** — **0.062** — **6M** — **TP316**

Tubing Type	Tubing O.D. (in.)	Wall Thickness (in.)	Nominal Length (m/feet)	Material Grade
<b>150FT</b> 150 Series ultra high pressure tubing	5 5/16 in.	0.125	<b>1M</b> 1 meter	TP316
			<b>2M</b> 2 metres	
			<b>3M</b> 3 metres	
			<b>4M</b> 4 metres	
			<b>5M</b> 5 metres	
			<b>6M</b> 6 metres	
			<b>10F</b> 10 feet	
<b>20F</b> 20 feet				

## Coned and Threaded Nipples

❖ Supply coned and threaded nipples in various sizes and lengths for 150 series ultra high pressure valves and fittings

### How to Order

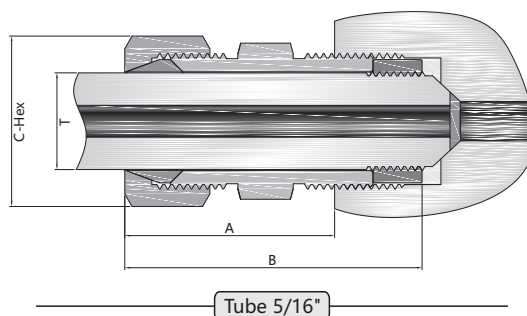
**NIP** — **XPF5** — **4** — **316**

Type	Connection Type	Connection Size	Nominal Length	Material
<b>NIP</b> Coned and Threaded Nipples	<b>XPF</b> Ultra High Pressure Fittings	5 5/16 in.	4 4 in. 6 6 in. 8 8 in. 10 10 in.	<b>316</b> 316 S.S.



## Anti-Vibration Collet Gland Assemblies

- ❖ Completely interchangeable with standard 150 series ultra high pressure connections
- ❖ Moving the stress concentration back to the unthreaded part of the tubing and providing a wedge-typegripping action
- ❖ Anti-vibration collet gland assembly strengthens the entire structure



Tube O.D. in.	Basic Ordering Number	Dimension in. (mm)		
		A	B	C
5/16	AVA-XPF5-	1.38 (34.92)	1.88 (47.62)	0.75 (19.05)

### How to Order

**AVA** — **XPF5** — **316**

Type	Connection Type	Connection Size	Material
<b>AVA</b> Anti-Vibration Collet Gland Assemblies	<b>XPF</b> Ultra High Pressure Fittings	5 5/16 in.	<b>316</b> 316 S.S.