

## FL-2000 Series



- ✓ Easy-to-Read English or Metric Scales
- ✓ Water Ranges from 4 CCM to 20 GPM, Air Ranges from 40 CCM to 4000 LPM
- ✓ Threaded Brass Inserts for Quick Installation
- ✓ Easy Disassembly and Assembly for Maintenance
- ✓ Durable One-Piece Clear Acrylic Construction
- ✓ Stable, Easy-to-Read Float
- ✓ Superior Quality

### APPLICATIONS

- ✓ Air Sampling Equipment
- ✓ Aquaculture
- ✓ Desalinization Equipment
- ✓ Gas Analyzers
- ✓ Medical Systems
- ✓ Photo Processing Equipment
- ✓ Water Treatment and Distribution Systems

The FL-2000 Series offers a wide variety of precision flowmeters for use in medical, industrial, chemical, and laboratory applications at an economical price. Units are available with or without valves.



FL-2013 Air, shown smaller than actual size.



FL-2066-NV Water, shown smaller than actual size.

### SPECIFICATIONS

#### Accuracy:

Models FL-2001–FL-2025:  $\pm 5\%$  F.S.

Models FL-2031–FL-2069:  $\pm 3\%$  F.S.

Models FL-2071–FL-2128:  $\pm 2\%$  F.S.

**Float:** Black glass stainless steel

**Body:** Clear acrylic

**Seals:** Buna "O" Rings with brass or PVC fittings FKM "O"-Rings with stainless steel fittings

**Pressure:** 100 psig max @ 21°C (70°F)

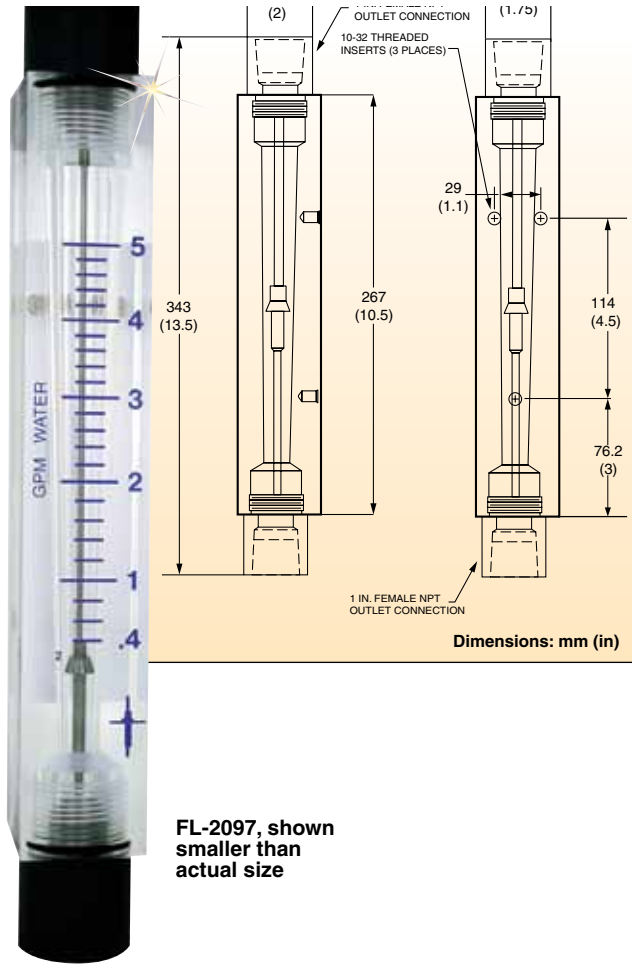
**Temperature:**

65°C (150°F) max @ 0 psig

**Fittings:** Brass std; stainless steel optional except for FL-2071 through FL-2128, which have 1 NPT PVC fittings only

**Valves:** Models FL-2001 through FL-2069: brass standard; stainless steel cartridge type (optional)

**FL-2071 through FL-2128:** Optional plastic in-line gate



FL-2097, shown smaller than actual size

Millimeters	343	50.8	267	25.4	28.6	44.5	114	76.2
Inches	13.5	2.0	10.5	1 FNPT	1.1	1.8	4.5	3.0

Accuracy:  $\pm 2\%$  Full Scale In-Line

To Order	
Model No.	Range SCFM of Air
FL-2091	3 to 25
FL-2092	4 to 50
FL-2093	10 to 100
Range LPM of Air	
FL-2094	100 to 700
FL-2095	100 to 1400
FL-2096	400 to 4000
Range GPM of Water	
FL-2097	0.4 to 5
FL-2098	1 to 10
FL-2099	2 to 20
Range LPM of Water	
FL-2126	1 to 19
FL-2127	4 to 36
FL-2128	5 to 75

Units are standard without valves.

To order with plastic integral gate valve, add suffix "-V" to model number for additional cost for FL-2090 Series, and FL-2120 Series.

For optional 10-point NIST certificate add suffix, "-NIST" to the model number, for additional cost and two weeks to the standard lead time.

Ordering Example: FL-2095, flow meter, 100 to 1400 LPM Air  
 FL-2127-V, flow meter, 4 to 36 LPM water, with valves.

Accuracy:  $\pm 2\%$  Full Scale Panel Mount

To Order	
Model No.	Range SCFM of Air
FL-2071	3 to 25
FL-2072	4 to 50
FL-2073	10 to 100
Range LPM of Air	
FL-2074	100 to 700
FL-2075	100 to 1400
FL-2076	400 to 3400
Range GPM of Water	
FL-2077	0.6 to 5
FL-2078	1 to 10
FL-2079	2 to 20
Range LPM of Water	
FL-2080	2 to 19
FL-2081	4 to 36
FL-2082	5 to 75

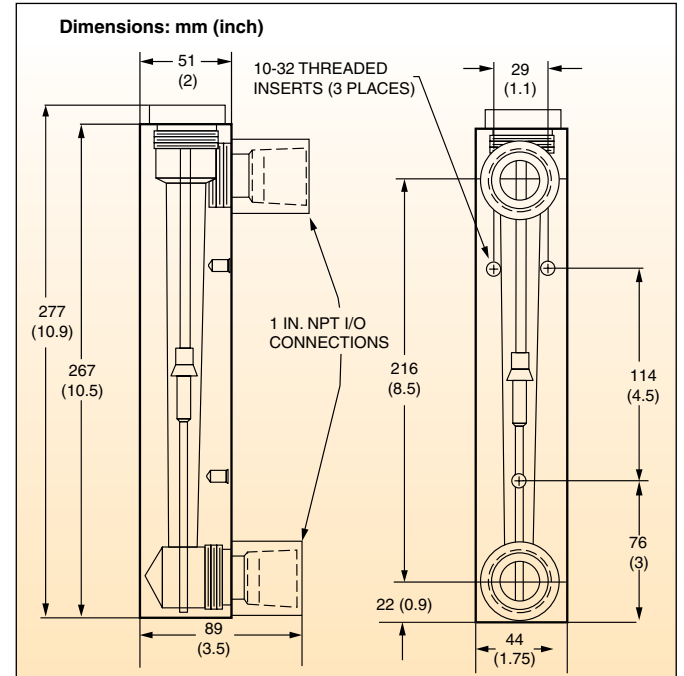
Units come complete with operator's manual.  
 Units are standard without valves.

To order with plastic integral gate valve, add suffix "-V" to model number for additional cost.

For optional 10-point NIST certificate add suffix, "-NIST" to the model number for additional cost and two weeks to the standard lead time.

Ordering Examples: FL-2075, flow meter valve, 100 to 1400 LPM air.

FL-2071 through FL-2082 Dimensions



PANEL MOUNT								
Millimeters	273	267	50.8	25.4	216	22.2	114	76.2
Inches	10.9	10.5	2	1 FNPT	8.5	0.9	4.5	3



FL-2060, Air, shown smaller than actual size.



FL-2066-NV, shown smaller than actual size.

To Order	
Model No.	Range SCFH of Air
FL-2031	0.4 to 5
FL-2032	1 to 10
FL-2033	2 to 20
FL-2034	4 to 40
FL-2035	10 to 100
FL-2036	14 to 150
FL-2037	20 to 200
Range CCM of Air	
FL-2038	100 to 1000
Range LPM of Air	
FL-2039	0.4 to 5
FL-2040	1 to 10
FL-2041	2 to 20
FL-2042	3 to 30
FL-2043	4 to 50
FL-2044	10 to 100
Range CCM of Water	
FL-2045	4 to 50
FL-2046	10 to 120
FL-2047	25 to 225
FL-2048	40 to 400
FL-2049	40 to 660
FL-2050	100 to 1500
FL-2051	200 to 3000
FL-2052	300 to 3700
Range GPH of Water	
FL-2053	1 to 10
FL-2054	2 to 25
FL-2055	4 to 50
FL-2056	6 to 60
Range SCFM of Air	
FL-2057	0.3 to 3

**Accuracy: ±3% Full Scale Panel Mount**

To Order	
Model No.	Range SCFM of Air
FL-2060	0.5 to 5
FL-2061	1 to 10
FL-2062	4 to 20
Range LPM of Air	
FL-2063	14 to 140
FL-2064	30 to 300
FL-2065	100 to 560
Range GPM of Water	
FL-2066	0.25 to 2.5
FL-2067	0.4 to 5
Range LPM of Water	
FL-2068	1 to 10
FL-2069	2 to 20

Units come standard with brass valves and operator's manual.  
 Dual scales supplied std: SCFM/SCFH, GPM/GPH and LPM/LPH  
 To order with stainless steel valve, add suffix "-SS" to model number for additional cost.  
 To order without a valve, add suffix "-NV" to model number and subtract from cost.  
 For optional 10-point NIST certificate add suffix, "-NIST" to the model number, for additional cost and two weeks to the standard lead time.  
**Ordering Examples:** FL-2060, flow meter with brass valve, 0.5 to 5 SCFM.  
 FL-2069-NV flow meter no valve 2 to 20 LPM

Units come standard with brass valves and operator's manual.  
 To order with stainless steel valve, add suffix "-SS" to model number for additional cost.  
 To order without a valve, add suffix "-NV" to model number and subtract from cost.  
 For optional 10-point NIST certificate add suffix, "-NIST" to the model number, for additional cost and two weeks to the standard lead time.  
**Ordering Examples:** FL-2036, economical flow meter, with brass valve, 14 to 150 SCFH Air.  
 FL-2036-NV, economical flow meter, without brass valve, 14 to 150 SCFH Air.



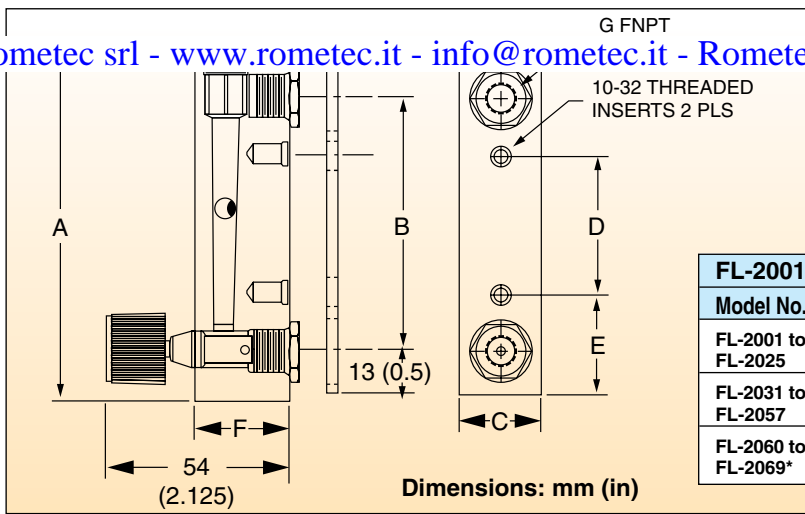
FL-2091, Air, shown smaller than actual size.



FL-2053, Water, shown smaller than actual size.



FL-2041-NV, shown smaller than actual size.



FL-2001 through FL-2069 Dimensions mm (inch)							
Model No.	A	B	C	D	E	F	G
FL-2001 to FL-2025	102.0 (4.0)	76.2 (3.0)	25.4 (1)	41.3 (1.6)	30.2 (1.2)	28.6 (1.1)	1/8
FL-2031 to FL-2057	165.0 (6.5)	140.0 (5.5)	34.9 (1.4)	88.9 (3.5)	38.1 (1.5)	28.6 (1.1)	1/8
FL-2060 to FL-2069*	168.0 (6.6)	140.0 (5.5)	28.6 (1.1)	88.9 (3.5)	38.1 (1.5)	34.9 (1.4)	1/4

\*All in this range do not include a 1/8" back plate

Accuracy: ±5% Full Scale Panel Mount

To Order	
Model No.	Range SCFH of Air
FL-2001	0.1 to 1.0
FL-2002	0.2 to 2.0
FL-2003	0.4 to 5.0
FL-2004	0.5 to 10.0
FL-2005	2.0 to 20.0
FL-2006	3.0 to 30.0
FL-2007	4.0 to 50.0
FL-2008	10.0 to 100.0
FL-2009	20.0 to 200.0
Range LPM of Air	
FL-2010	0.04 to 0.5
FL-2011	0.1 to 1.0
FL-2012	0.2 to 2.5
FL-2013	0.4 to 5.0
FL-2014	1.0 to 10.0
FL-2015	2.0 to 25.0
FL-2016	6.0 to 50.0
FL-2017	10.0 to 100.0
Range SCCM of Water	
FL-2018	5 to 50
FL-2019	10 to 100
FL-2020	20 to 240
Range GPH of Water	
FL-2021	0.2 to 2.0
FL-2022	0.4 to 5.0
FL-2023	1.0 to 10.0
FL-2024	2.0 to 20.0
FL-2025	4.0 to 40.0

Units come standard with brass valves and operator's manual.

To order with stainless steel valves, add suffix "-SS" to model number for additional cost.

To order without a valve, add suffix "-NV" to model number and subtract from cost.

For optional 10-point NIST certificate add suffix, "-NIST" to the model number, for additional cost and two weeks to the standard lead time.

Ordering Examples: FL-2005, economical flow meter with brass valve, 2 to 20 SCFH air.

FL-2005-NV, economical flow meter without valve. 2 to 20 SCFH air.



FL-2021-NV, Water, shown larger than actual size.