

# Cylinder Pressure Regulators

## VSR-1E Series

### Product Features

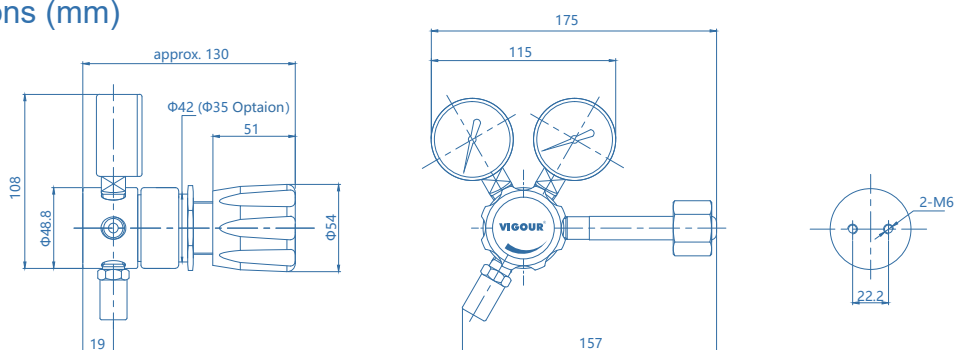
- Cylinder pressure regulator
- Brass chrome plated body and bonnet for inert, reactive, flammable and oxidizing gas and mixtures up to grade 6.0
- Stainless steel 316L body and bonnet for corrosive gases
- 6 ports flexible configuration
- Stable outlet pressure
- Simple outlet pressure limitation by handwheel
- Tested for use with oxygen



### Typical Applications

- Component Testing
- Calibration Systems
- Laboratory Pressure Control
- High Pressure Sampling Systems
- Service & Test Equipment

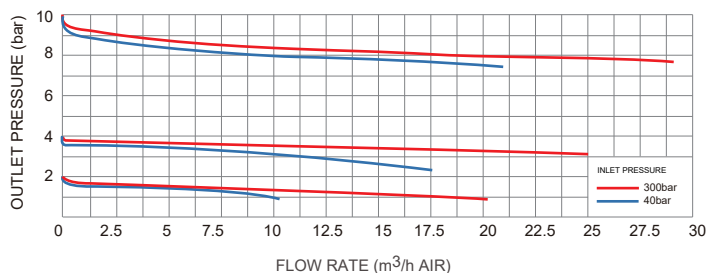
### Dimensions (mm)



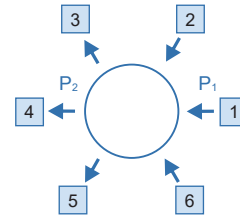
### Technical Data

Type:	single-stage
Inlet pressure P1:	max. 300 bar
Outlet pressure P2:	VAC/2/4/8/10/20 bar
Materials	
Body regulator, Relief valve:	see ordering info
Valve seat:	PCTFE
Diaphragm:	Hastelloy® C276
O-ring:	Viton® (FKM)
(option)	Kalrez® (FFKM)
Filter:	SS 316L
Inlets and Outlets:	1/4" NPT(F)
Temperature range:	-30°C to +74°C
Leak rate: (to atmosphere)	1x10 <sup>-8</sup> mbar l/s He
(Via seat)	1x10 <sup>-6</sup> mbar l/s He
Flow capacity:	Cv=0.07
Weight:	1.30kg

### Flow Chart



## Ordering Information



### Inlets / Outlets

DIN: Germany  
 CGA: USA  
 BSP: British  
 GB: China  
 UNI: Italy

NF: French  
 JIS: Japan  
 F4: 1/4" NPT(F)  
 M4: 1/4" NPT(M)  
 O2: 1/8" Tube fitting

04: 1/4" Tube fitting  
 06: 3/8" Tube fitting  
 6M: 6mm Tube fitting  
 8M: 8mm Tube fitting  
 TW6M: 6mm Weld tube

TW8M: 8mm Weld tube  
 P: Gauge (Psig/bar)  
 R: Relief valve  
 B: Plug

\* Other connection standard, consult factory.

### Port Selection

**VSR - 1EP S- 200- 20 - 1 - 2 - 3 - 4 - 5 - 6 - N2**

#### Options

None: Standard mounting  
 P: Panel mounting

#### Body Material

S: 316L  
 C: Chrome Plated Brass

#### Inlet Pressure P<sub>1</sub>

40: 40 bar  
 100: 100 bar  
 200: 200 bar  
 300: 300 bar

#### Outlet Pressure P<sub>2</sub>

2: to 2 bar  
 4: to 4 bar  
 8: to 8 bar  
 10: to 10 bar  
 20: to 20 bar  
 V2: -1bar to 2bar  
 V4: -1bar to 4bar  
 V10: -1bar to 10bar  
 V20: -1bar to 20bar

#### Type of Gas

Please specify type of gas

## Ordering Example

**Example: VSR - 1EC - 200 - 10 - CGA - P - P - F4 - B - B - O<sub>2</sub>**

1 - 2 - 3 - 4 - 5 - 6



\* For mixed gases, please specify cylinder connection standard and thread when ordering.