

Cylinder Pressure Regulators

VSR-2E Series

Product Features

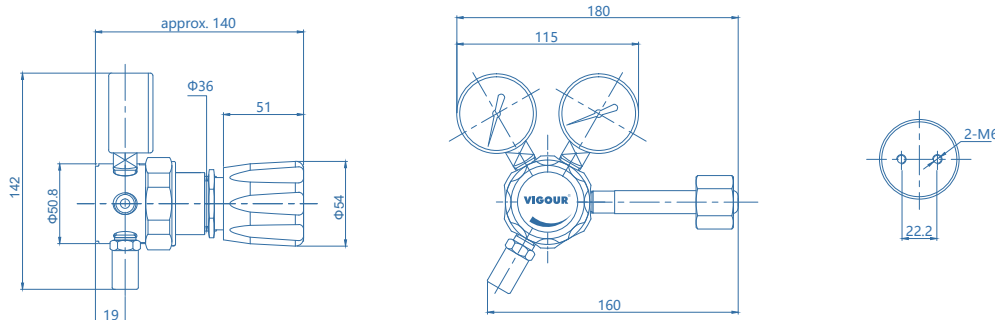
- Cylinder pressure regulator
- Brass chrome plated body and bonnet for inert, reactive, flammable and oxidizing gas and mixtures up to grade 6.0
- Stainless steel 316L body and bonnet for corrosive gases
- 6 ports flexible configuration
- Stable outlet pressure
- Simple outlet pressure limitation by handwheel
- Inlet filter
- Tested for use with oxygen



Typical Applications

- Component Testing
- Calibration Systems
- Laboratory Pressure Control
- High Pressure Sampling Systems
- Service & Test Equipment

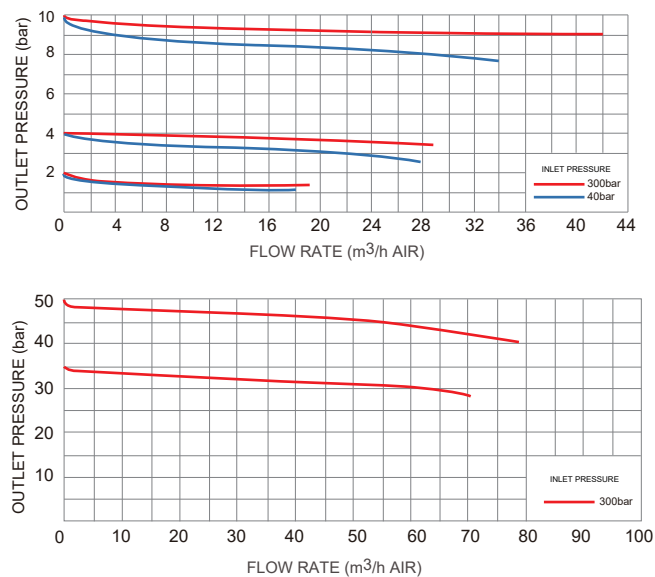
Dimensions (mm)



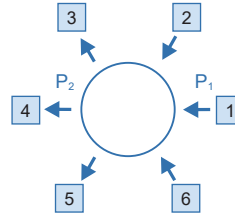
Technical Data

Type:	single-stage
Inlet pressure P1:	max. 300 bar
Outlet pressure P2:	VAC/2/4/8/10/20/35/50 bar
Materials	
Body regulator, Relief valve:	see ordering info
Valve seat:	PCTFE
Diaphragm:	Hastelloy® C276
O-ring:	SS 316L
(option)	Viton® (FKM)
Filter:	Kalrez® (FFKM)
Inlets and Outlets:	1/4" NPT(F)
Temperature range:	-30°C to +74°C
Leak rate: (to atmosphere)	1x10 ⁻⁸ mbar l/s He
(Via seat)	1x10 ⁻⁶ mbar l/s He
Flow capacity:	Cv=0.08
Weight:	1.25kg

Flow Chart



Ordering Information



Inlets / Outlets

DIN: Germany
 CGA: USA
 BSP: British
 GB: China
 UNI: Italy

NF: French
 JIS: Japan
 F4: 1/4" NPT(F)
 M4: 1/4" NPT(M)
 O2: 1/8" Tube fitting

O4: 1/4" Tube fitting
 O6: 3/8" Tube fitting
 6M: 6mm Tube fitting
 8M: 8mm Tube fitting
 TW6M: 6mm Weld tube

TW8M: 8mm Weld tube
 P: Gauge (Psig/bar)
 R: Relief valve
 B: Plug

* Other connection standard, consult factory.

Port Selection

VSR - 2EP S -200- 20 - 1 - 2 - 3 - 4 - 5 - 6 - N₂

Options

None: Standard mounting
 P: Panel mounting

Body Material

S: 316L
 C: Chrome Plated Brass

Inlet Pressure P₁

40: 40 bar
 100: 100 bar
 200: 200 bar
 300: 300 bar

Outlet Pressure P₂

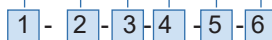
2: to 2 bar
 4: to 4 bar
 8: to 8 bar
 10: to 10 bar
 20: to 20 bar
 35: to 35 bar
 50: to 50 bar
 V2: -1 bar to 2 bar
 V4: -1 bar to 4 bar
 V10: -1 bar to 10 bar
 V20: -1 bar to 20 bar

Type of Gas

Please specify type of gas

Ordering Example

Example: VSR - 2EC - 200 - 10 - CGA - P - P - F4 - B - B - O₂



* For mixed gases, please specify cylinder connection standard and thread when ordering.