



Rometec s.r.l.

Via Alessandro Minuziano, 87-89 , 00128 Roma

Tel. 065061635 – Fax 065061542

Sito web: www.rometec.it – email: info@rometec.it

P. IVA 04120621000 - CCIAA RM 736916

Reg. Soc. Tribunale RM 9229/91 - Cap. soc. 46'482,00 €



VALVOLE A FARFALLA SANITARIE



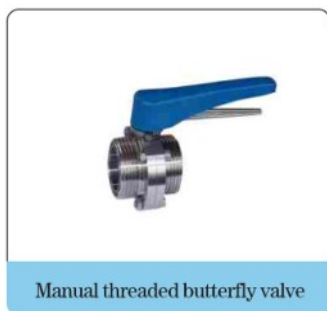
Pneumatic butterfly valve



Electric actuated butterfly valve



Aluminum actuated butterfly valve



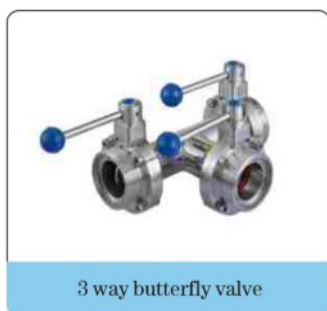
Manual threaded butterfly valve



Manual weld butterfly valve



Three-piece butterfly valve



3 way butterfly valve



Clamped butterfly valve



Nut/threaded butterfly valve



NEW

Powder tight butterfly valve



NEW

Pneumatic butterfly valve w/ C Top



NEW

Linkage manual Butterfly Valve

Applications

le valvole a farfalla Manuali ed Automatiche possono essere usate con prodotti liquidi, alimentare, farmaceutico e industria chimica.

Principi di funzionamento

Valvole Manuali: le valvole a farfalla posso essere attivate automaticamente o manualmente tramite leva.

La Leva controlla la valvola in posizione “Aperto” o “Chiuso” e altre posizioni sono disponibili.

Specifiche tecniche

Pressione Massima: 1000kPa/10bar (DN25, 1"- DN100, 4")
8bar (DN12, 5"-DN150, 6")

Temperatura di lavoro: -10°C a +120°C (EPDM)

Max Pressione Aria: 700kPa (7 bar)

Min. Pressione Aria NC e NO: 400kPa (4bar)

Raange di temperatura: -25°C a +90°C

Materiali

Disco forgiato: 316L SS o 304 SS

Corpo valvola forgiato: 316 SS o 304 SS

Altre parti in acciaio: 316 SS o 304 SS

Sigillatura: Silicone/EPDM/Vitron, certificati FDA

Maniglia: 304 SS o Plastica

Ruvidità superficiale: $Ra \leq 0,8 \mu m$

Opzioni

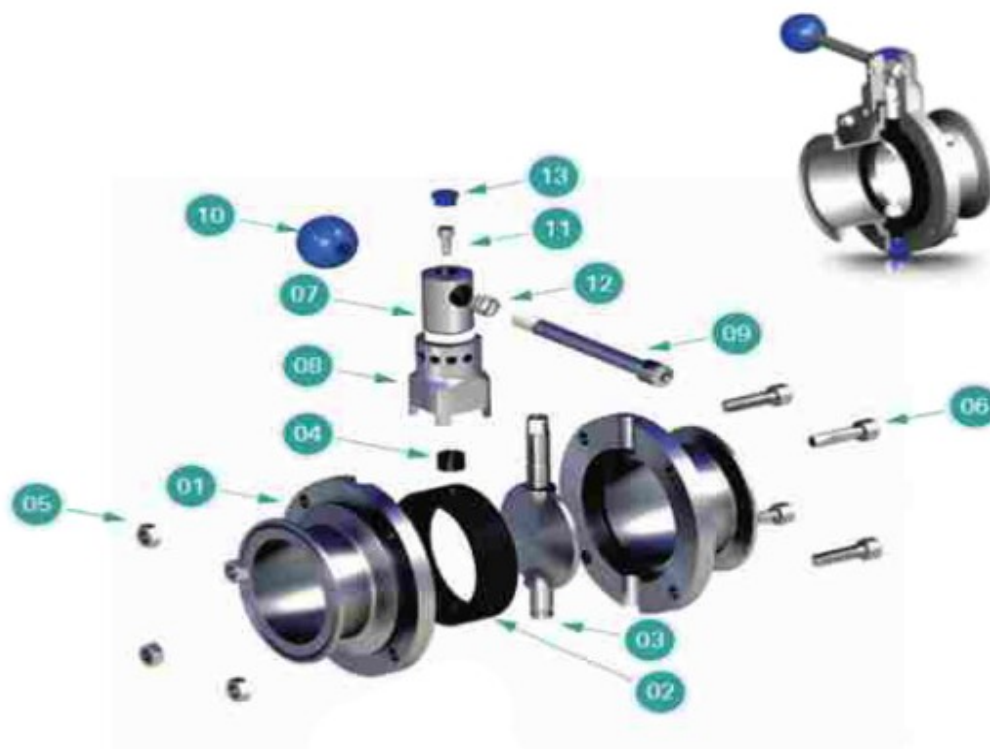
Commissioni: saldate, claped, filettato, dado, flangiate RTJ, come da norme DIN,SMS,3A,ISO,IDF.

Maniglia: 2 posizioni-3 posizioni, 4 posizioni a trazione, multi posizione, maniglia plastica, maniglia a scatto acciaio inossidabile.

Attuatori: acciaio inossidabile, alluminio, elettrici o pneumatici

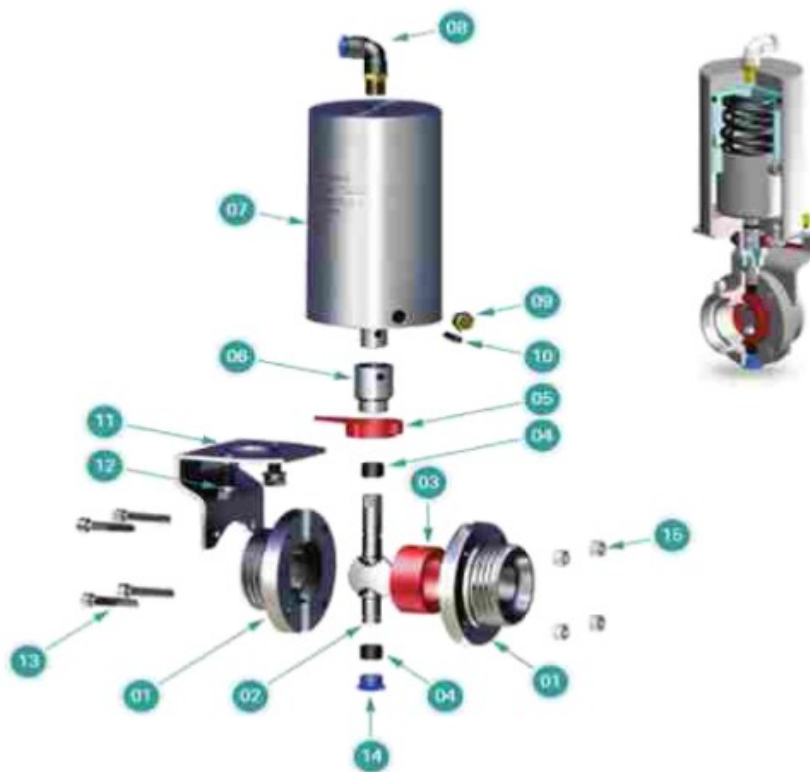
Versione classica o a 3 pezzi.

Anche per tramogge, dosatori e in versione a 3vie



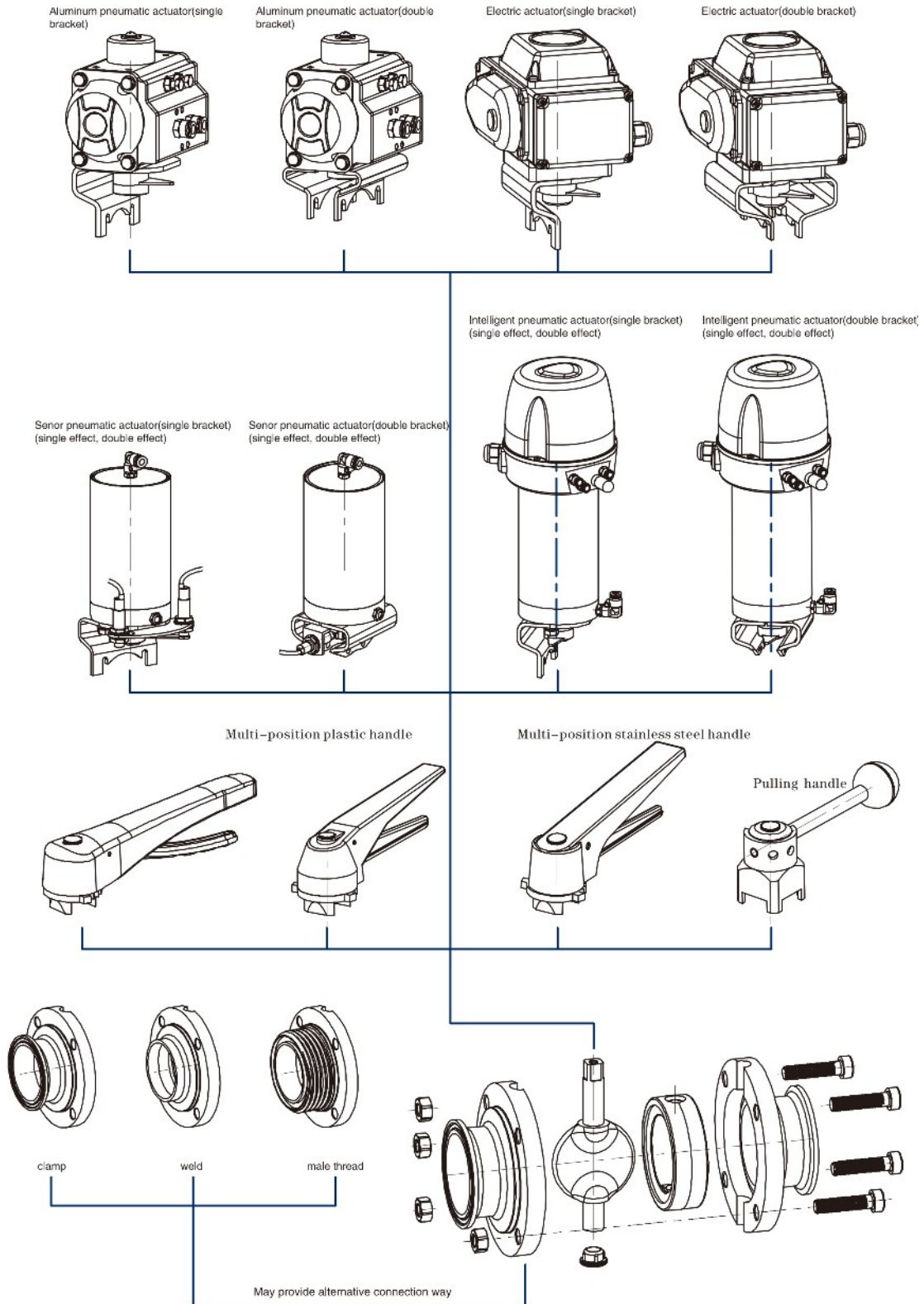
Esploso della valvola a farfalla

PART N.	DESCRIPTION
1	VALVE BODY
2	GASKET
	DISC
4	BUSH
5	HEX NUT
6	BOLT
7	SHAFT
8	HANDLE SUPPORT
9	HANDLE BALL
10	PULLING HANDLE
11	BOLT
12	SPRING
13	PALSTIC CAP

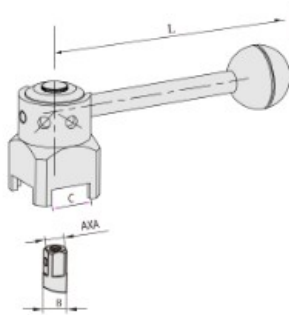


PART N	DESCRIZIONE
1	VALVE BODY
2	DISC
3	SEAL
4	BUSH
5	INDICATOR
6	SHAFT
7	ACTUATOR
8	AIR CONNECTION
9	SILENCER
10	PIN
11	BRACKET
12	BOLT
13	PLASTIC CUP
14	NUT

Different configurations



Types of handle

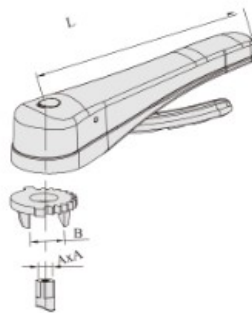


Pulling handle(2,3,4 position)

SIZE	A	B	C	L	
DN25-DN50	1"-2"	8X8	12	20	130
DN65-DN100	2.5"-4"	10X10	14	22	160
DN125-DN150	5"-6"	12X12	15	26	200

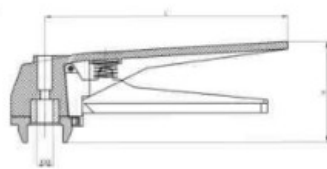
Adjusting: 2 position, 3 position, 4 position

Plastic multi-position trigger handle Full stainless steel is available



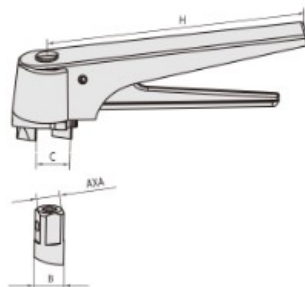
Size	B	L	A	
DN10-DN40	Ø19-Ø45	1/2"-1 1/2"	20.2 144	8 x 8
DN50	Ø48-Ø51	2"	22.2 144	8 x 8
DN65	Ø63-Ø76	2 1/2"-3"	22.2 160	10 x 10
DN80-DN100	Ø89-Ø108	3 1/2"-4"	22.2 160	10 x 10

Adjusting: 15°, 12 position



Plastic multi-position handle

Size	H	L	KxK	
DN10-DN40	0.5"-1.5"	76	150	8x8
DN50-DN65	2"-3"	76	150	10x10
DN80-DN125	3.5"-5"	76	150	11X11

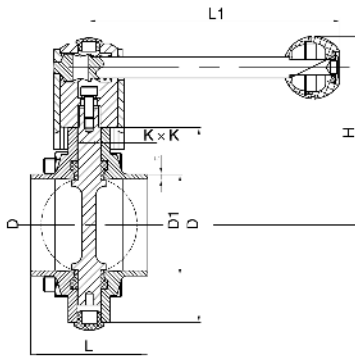


Stainless steel multi-position handle

SIZE	A	B	C	H	
DN25-DN50	1"-2"	8X8	10.8	20	8X8
DN65	2.5"-3"	10X10	11.8	22	10X10
DN80-100	4"	11X11	14.8	22	10X10

Adjusting: 15°, 12 position

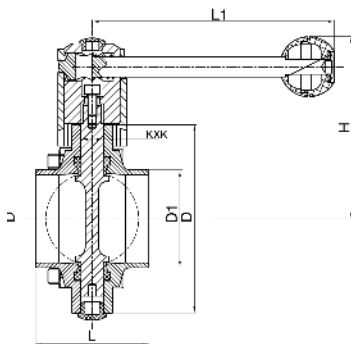
Manual Welded Butterfly Valve



DIN Welded butterfly valve
Part no:BUV01

Size	D1		D	L	L1	H	T	KXK
	1	2						
DN10	12	13	78	50	126	86	1.5	8x8
DN15	18	19	78	50	126	86	1.5	8x8
DN20	22	23	78	50	126	86	1.5	8x8
DN25	28	29	78	50	126	86	1.5	8x8
DN32	34	35	86	50	126	90	1.5	8x8
DN40	40	41	90	50	126	92	1.5	8x8
DN50	52	53	106	52	133	104	1.5	10x10
DN65	70	-	124	56	144	113	2.0	10x10
DN80	85	-	139	60	160	123.5	2.0	11x11
DN100	104	-	159	64	160	133.5	2.0	11x11
DN125	129	-	185	80	220	146.5	2.0	11x11
DN150	154	-	215	90	220	161.5	2.0	11x11
DN200	204	-	285	90	284	199	2.0	11x11

3A,SMS,ISO,IDF/Inch Welded butterfly valve
Part no:BUV02

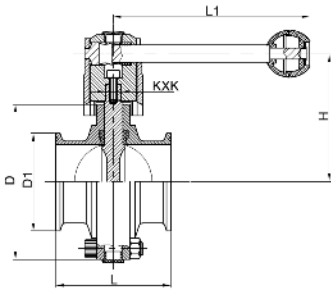


Size	D1	D	L	L1	H	KXK
1/2"	12.7	78	50	126	86	8x8
3/4"	19	78	50	126	86	8x8
1"	25.4	78	50	126	86	8x8
1 1/4"	31.8	78	50	126	86	8x8
1 1/2"	38.1	86	50	126	90	8x8
45	45	90	50	126	92	8x8
48	48	95	52	126	95	8x8
2"	50.8	102	52	133	102	10x10
57	57	106	52	144	104	10x10
2 1/2"	63.5	115	56	144	109	10x10
3"	76.2	128	56	144	115	10x10
3.5"	89	139	60	144	123.5	11x11
4"	102	154	64	144	131	11x11
108	108	159	64	160	133.5	11x11
114	114.3	185	80	160	133.5	11x11
5"	127	185	80	220	146.5	11x11
133	133	215	80	220	146.5	11x11
6"	152.4	215	90	220	161.5	11x11
159	159	215	90	220	161.5	11x11
168.3	168.3	215	90	220	161.5	11x11
8"	203.2	285	90	284	199	14x14
219	219	285	90	284	199	14x14

Manual Clamped Butterfly Valve

DIN Clamped butterfly valve

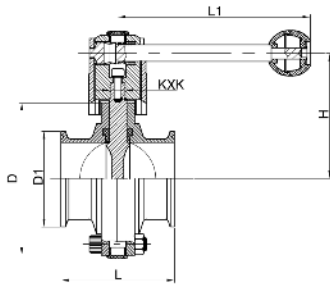
Part no:BUV03



Size	D1	D	L	L1	H	KKK
DN10	34	78	66	126	86	8x8
DN15	34	78	66	126	86	8x8
DN20	34	78	66	126	86	8x8
DN25	50.5	78	66	126	86	8x8
DN32	50.5	78	66	126	86	8x8
DN40	50.5	86	70	126	90	8x8
DN50	64	102	76	133	102	10x10
DN65	91	120	80	144	111	10x10
DN80	106	134	84	160	121	11x11
DN100	119	154	104	160	131	11x11
DN125	144.5	185	122	220	146.5	11x11
DN125	155	185	122	220	146.5	11x11
DN150	167	215	146	220	161.5	11x11
DN150	183	215	146	220	161.5	11x11
DN200	217.4	285	166	284	199	14x14
DN200	233.5	285	166	284	199	14x14

3A,SMS,ISO,IDF/inch Clamped butterfly valve

Part no:BUV04

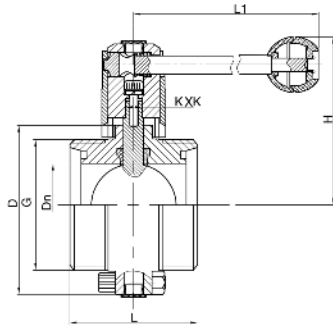


Size	D1	D	L	L1	H	KKK
1/2"	25.4	78	66	126	86	8x8
3/4"	25.4	78	66	126	86	8x8
1"	50.5	78	66	126	86	8x8
1 1/4"	50.5	78	66	126	86	8x8
1 1/2"	50.5	86	70	126	90	8x8
45	64	90	74	126	92	8x8
48	64	95	76	126	95	8x8
2"	64	102	76	133	102	10x10
57	77.5	106	76	144	104	10x10
2 1/2"	77.5	115	80	144	109	10x10
3"	91	128	84	144	115	10x10
3.5"	106	139	86	144	123.5	11x11
4"	119	154	104	144	131	11x11
108	119	159	106	160	133.5	11x11
114	130	159	106	160	133.5	11x11
5"	144.5	185	122	220	146.5	11x11
133	155	185	122	220	146.5	11x11
6"	167	215	146	220	161.5	11x11
159	183	215	146	220	161.5	11x11
168.3	183	215	146	220	161.5	11x11
8"	217.4	285	166.8	284	199	14x14
219	233.5	285	166.8	284	199	14x14

Manual Threaded Butterfly Valve

DIN threaded butterfly valve

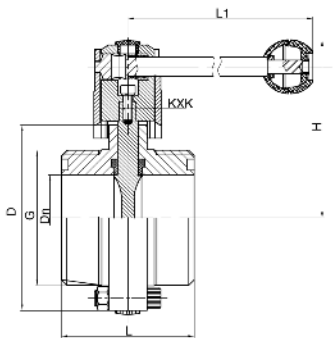
Part no:BUV05



Size	DN	D	L	L1	H	G	KXK
DN10	10	78	66	126	86	RD28x1/8	8x8
DN15	15	78	66	126	86	RD34x1/8	8x8
DN20	19	78	66	126	86	RD44x1/6	8x8
DN25	25	78	66	126	86	RD52x1/6	8x8
DN32	31	86	70	126	90	RD58x1/6	8x8
DN40	37	90	74	126	92	RD65x1/6	8x8
DN50	49	106	76	133	104	RD78x1/6	10x10
DN65	66	124	80	144	113	RD95x1/6	10x10
DN80	81	139	84	160	123.5	RD110x1/4	11x11
DN100	100	159	104	160	133.5	RD130x1/4	11x11
DN125	125	185	130	220	146.5	RD160x1/4	11x11
DN150	150	215	150	220	161.5	RD190x1/4	11x11

SMS threaded butterfly valve

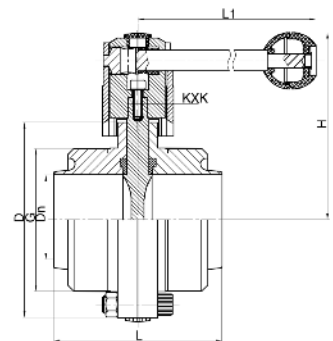
Part no:BUV06



Size	DN	D	L	L1	H	G	KXK
Φ19	16	78	66	126	86	RD36x1/8	8x8
Φ25	22.4	78	66	126	86	RD40x1/6	8x8
Φ32	28.8	78	66	126	86	RD48x1/6	8x8
Φ38	35.1	86	70	126	90	RD60x1/6	8x8
Φ51	47.8	102	76	133	102	RD70x1/6	10x10
Φ63	59.5	115	80	144	109	RD85x1/6	10x10
Φ76	72.2	128	84	144	115	RD98x1/6	10x10
Φ89	85	139	86	160	123.5	RD110x1/6	11x11
Φ102 小	97.6	154	104	160	131	RD125x1/6	11x11
Φ102 大	97.6	159	104	160	133.5	RD132x1/6	11x11

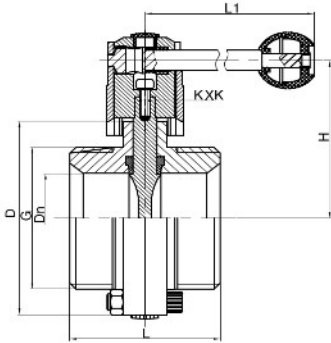
RJT butterfly valve with males ends

Part no:BUV07



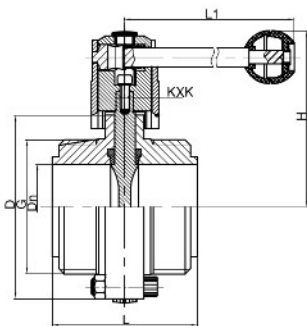
Size	DN	D	L	L1	H	G	KXK
1"	22.2	78	80	126	86	45.7x1/8TWHIT	8x8
1 1/2"	34.9	86	80	126	90	58.4x1/8TWHIT	8x8
2"	47.6	102	84	133	102	72.7x1/6TWHIT	10x10
2 1/2"	60.3	115	84	144	109	85.4x1/6TWHIT	10x10
3"	73.0	128	84	144	115	98.1x1/6TWHIT	10x10
4"	97.5	154	104	160	131	123.8x1/6TWHIT	11x11
6"	148	215	150	220	161.5	174.3x1/6TWHIT	11x11

Manual Threaded Butterfly Valve



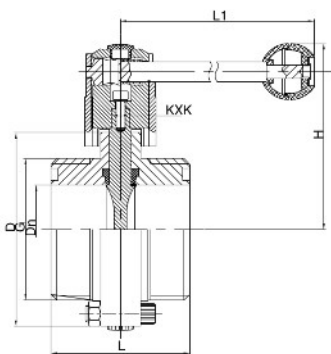
3A threaded butterfly valve
Part no:BUV08

Size	DN	D	L	L1	H	G	KXK
1"	22.1	78	66	126	86	37.1x1/8Acme	8x8
1 1/4"	28.8	78	70	126	86	45.9x1/8Acme	8x8
1 1/2"	34.8	86	70	126	90	50.6x1/8Acme	8x8
2"	47.5	102	76	133	102	64.1x1/8Acme	10x10
2 1/2"	60.2	115	80	144	109	77.6x1/8Acme	10x10
3"	72.9	128	84	144	115	91.1x1/8Acme	10x10
4"	97.4	154	104	160	131	119.2x1/6Acme	11x11



ISO IDF threaded butterfly valve
Part no:BUV09

Size	DN	D	L	L1	H	G	KXK
1"	22.4	78	72	126	86	37.1x1/8Acme	8x8
1 1/2"	35.1	86	76	126	90	50.6x1/8Acme	8x8
2"	47.8	102	82	133	102	64.1x1/8Acme	10x10
2 1/2"	59.5	115	86	144	109	77.6x1/8Acme	10x10
3"	72.2	128	90	144	115	91.1x1/8Acme	10x10
4"(ISO)	97.6	154	110	160	131	118.2x1/8Acme	11x11
4"(IDF)	97.6	154	110	160	131	125.9x1/6Acme	11x11



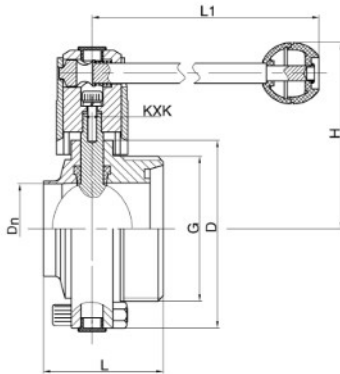
DS threaded butterfly valve
Part no:BUV10

Size	DN	D	L	L1	H	G	KXK
1"	22.4	78	66	126	86	RD44x1/6	8x8
1 1/4"	28.8	78	66	126	86	RD52x1/6	8x8
1 1/2"	35.1	86	70	126	90	RD58x1/6	8x8
2"	47.8	102	76	133	102	RD72x1/6	10x10
2 1/2"	59.5	115	80	144	109	RD88x1/6	10x10
3"	72.2	128	84	144	115	RD100x1/6	10x10
4"	97.6	154	104	160	131	RD130x1/4	11x11

Manual Weld/Threaded Butterfly Valve

DIN welded/threaded butterfly valve

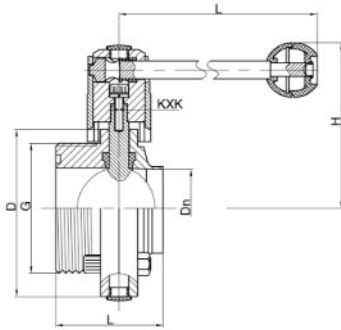
Part no:BUV011



Size	DN	D	L	L1	H	G	KXX
DN10	10	78	58	126	86	RD28x1/8	8x8
DN15	15	78	58	126	86	RD34x1/8	8x8
DN20	19	78	58	126	86	RD44x1/6	8x8
DN25	25	78	58	126	86	RD52x1/6	8x8
DN32	31	86	60	126	90	RD58x1/6	8x8
DN40	37	90	62	126	92	RD65x1/6	8x8
DN50	49	106	64	133	104	RD78x1/6	10x10
DN65	66	124	68	144	113	RD95x1/6	10x10
DN80	81	139	72	160	123.5	RD110x1/4	11x11
DN100	100	159	84	160	133.5	RD130x1/4	11x11
DN125	125	185	105	220	146.5	RD160x1/4	11x11
DN150	150	215	120	220	161.5	RD190x1/4	11x11

SMS welded/threaded butterfly valve

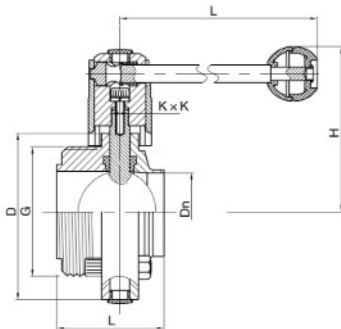
Part no:BUV012



Size	DN	D	L	L1	H	G	KXX
Φ19	16	78	58	126	86	RD36x1/8	8x8
Φ25	22.4	78	58	126	86	RD40x1/6	8x8
Φ32	28.8	78	58	126	86	RD48x1/6	8x8
Φ38	35.1	86	60	126	90	RD60x1/6	8x8
Φ51	47.8	102	64	133	102	RD70x1/6	10x10
Φ63	59.5	115	68	144	109	RD85x1/6	10x10
Φ76	72.2	128	70	144	115	RD98x1/6	10x10
Φ89	85	139	73	160	123.5	RD110x1/6	11x11
Φ102 小	97.6	154	84	160	131	RD125x1/6	11x11
Φ102 大	97.6	159	84	160	133.5	RD132x1/6	11x11

ISO IDF welded/threaded

butterfly valve Part no:BUV013

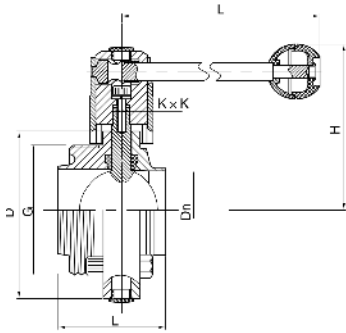


Size	DN	D	L	L1	H	G	KXX
1"	22.4	78	61	126	86	37.1x1/8Acme	8x8
1 1/2"	35.1	86	63	126	90	50.6x1/8Acme	8x8
2"	47.8	102	67	133	102	64.1x1/8Acme	10x10
2 1/2"	59.5	115	71	144	109	77.6x1/8Acme	10x10
3"	72.2	128	73	144	115	91.1x1/8Acme	10x10
4"(ISO)	97.6	154	87	160	131	118.2x1/8Acme	11x11
4"(IDF)	97.6	154	87	160	131	125.9x1/6Acme	11x11

Manual Weld/Threaded Butterfly Valve

RJT welded/threaded butterfly valve

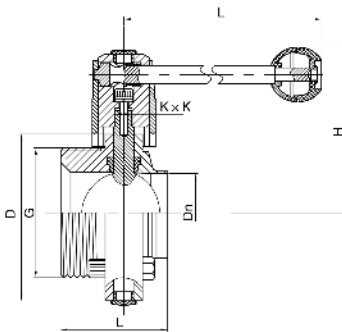
Part no:BUV014



Size	DN	D	L	L1	H	G	KXK
1"	22.2	78	65	126	86	45.7x1/8TWHIT	8x8
1 1/2"	34.9	86	65	126	90	58.4x1/8TWHIT	8x8
2"	47.5	102	68	133	102	72.7x1/6TWHIT	10x10
2 1/2"	60.3	115	70	144	109	85.4x1/6TWHIT	10x10
3"	73.0	128	70	144	115	98.1x1/6TWHIT	10x10
4"	97.5	154	84	160	131	123.8x1/6TWHIT	11x11
6"	148	215	120	220	161.5	174.3x1/6TWHIT	11x11

3A welded/threaded butterfly valve

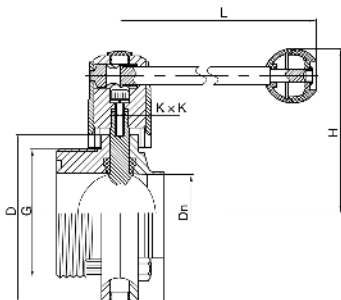
Part no:BUV015



Size	DN	D	L	L1	H	G	KXK
1"	22.1	78	58	126	86	37.1x1/8Acme	8x8
1 1/4"	28.8	78	60	126	86	45.9x1/8Acme	8x8
1 1/2"	34.8	86	60	126	90	50.6x1/8Acme	8x8
2"	47.5	102	64	133	102	64.1x1/8Acme	10x10
2 1/2"	60.2	115	68	144	109	77.6x1/8Acme	10x10
3"	72.9	128	70	144	115	91.1x1/8Acme	10x10
4"	97.4	154	84	160	131	119.2x1/6Acme	11x11

DS welded/threaded butterfly valve

Part no:BUV016

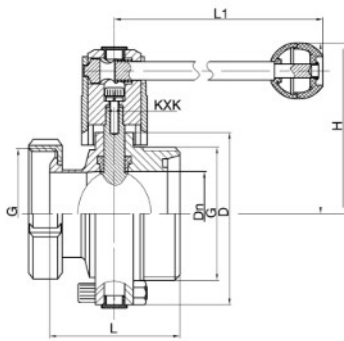


Size	DN	D	L	L1	H	G	KXK
1"	22.4	78	58	126	86	RD44x1/6	8x8
1 1/4"	28.8	78	58	126	86	RD52x1/6	8x8
1 1/2"	35.1	86	60	126	90	RD58x1/6	8x8
2"	47.8	102	64	133	102	RD72x1/6	10x10
2 1/2"	59.5	115	68	144	109	RD88x1/6	10x10
3"	72.2	128	70	144	115	RD100x1/6	10x10
4"	97.6	154	84	160	131	RD130x1/4	11x11

Manual Male/nut Butterfly Valve

DIN male/nut butterfly valve

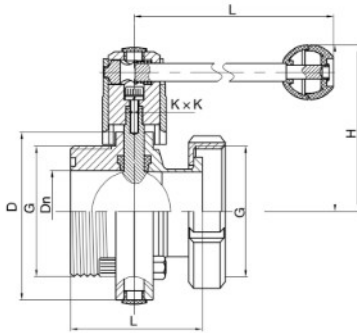
Part no:BUV017



Size	DN	D	L	L1	H	G	KXK
DN10	10	78	75	126	86	RD28x1/8	8x8
DN15	15	78	75	126	86	RD34x1/8	8x8
DN20	19	78	76	126	86	RD44x1/6	8x8
DN25	25	78	80	126	86	RD52x1/6	8x8
DN32	31	86	85	126	90	RD58x1/6	8x8
DN40	37	90	88	126	92	RD65x1/6	8x8
DN50	49	106	92	133	104	RD78x1/6	10x10
DN65	66	124	100	144	113	RD95x1/6	10x10
DN80	81	139	109	160	123.5	RD110x1/4	11x11
DN100	100	159	128	160	133.5	RD130x1/4	11x11
DN125	125	185	139	220	146.5	RD160x1/4	11x11
DN150	150	215	157	220	161.5	RD190x1/4	11x11

SMS male/nut butterfly valve

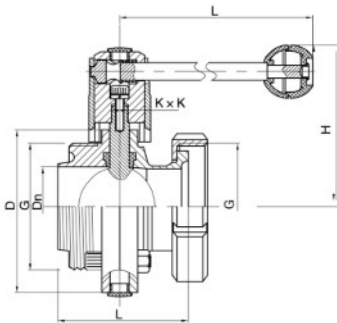
Part no:BUV018



Size	DN	D	L	L1	H	G	KXK
Φ19	16	78	70	126	86	RD36x1/8	8x8
Φ25	22.4	78	73	126	86	RD40x1/6	8x8
Φ32	28.8	78	78	126	86	RD48x1/6	8x8
Φ38	35.1	86	80	126	90	RD60x1/6	8x8
Φ51	47.8	102	84	133	102	RD70x1/6	10x10
Φ63	59.5	115	89	144	109	RD85x1/6	10x10
Φ76	72.2	128	91	144	115	RD98x1/6	10x10
Φ89	85	139	94	160	123.5	RD110x1/6	11x11
Φ102 小	97.6	154	105	160	131	RD125x1/6	11x11
Φ102 大	97.6	159	105	160	133.5	RD132x1/6	11x11

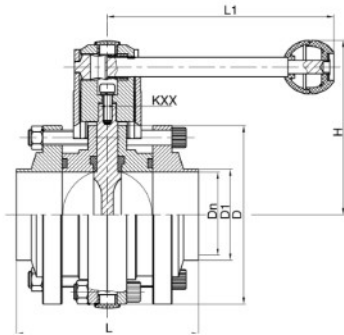
RJT male/nut butterfly valve

Part no:BUV019



Size	DN	D	L	L1	H	G	KXK
1"	22.2	78	77.7	126	86	45.7x1/8TWHIT	8x8
1 1/2"	34.9	86	77.7	126	90	58.4x1/8TWHIT	8x8
2"	47.6	102	80.7	133	102	72.7x1/6TWHIT	10x10
2 1/2"	60.3	115	82.7	144	109	85.4x1/6TWHIT	10x10
3"	73.0	128	82.7	144	115	98.1x1/6TWHIT	10x10
4"	97.5	154	109.4	160	131	123.8x1/6TWHIT	11x11
6"	148	215	143.5	220	161.5	174.3x1/6TWHIT	11x11

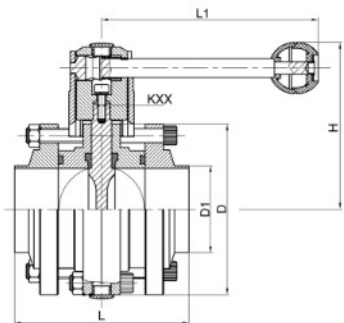
Manual 3-Piece Butterfly Valve



DIN 3-pc butterfly valve

Part no:BUV020

SIZE	D1		D	L	L1	H	t	KXX
	1	2						
DN10	12	13	78	100	126	86	1.5	8X8
DN15	18	19	78	100	126	86	1.5	8X8
DN20	22	23	78	100	126	86	1.5	8X8
DN25	28	29	78	100	126	86	1.5	8X8
DN32	34	35	78	100	126	86	1.5	8X8
DN40	40	41	90	100	126	92	1.5	8X8
DN50	52	53	102	104	133	102	1.5	10X10
DN65	70	-	120	112	144	111	2.0	10X10
DN80	85	-	134	120	160	121	2.0	11X11
DN100	104	-	154	128	160	131	2.0	11X11
DN125	129	-	185	160	220	146.5	2.0	11X11
DN150	154	-	215	180	220	161.5	2.0	11X11
DN200	204	-	285	180	284	199	2.0	14X14



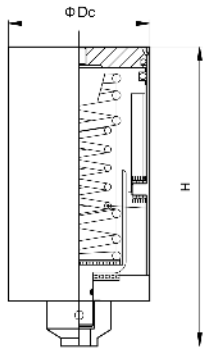
INCH 3-pc butterfly valve

Part no:BUV021

SIZE	D1	D	L	L1	H	KXX
1/2"	12.7	78	100	126	86	8X8
3/4"	19	78	100	126	86	8X8
1"	25.4	78	100	126	86	8X8
1 1/4"	31.8	78	100	126	86	8X8
1 1/2"	38.1	86	100	126	90	8X8
45	45	90	100	126	92	8X8
2"	50.8	102	104	133	102	10X10
57	57	102	104	144	104	10X10
2 1/2"	63.5	115	112	144	109	10X10
3"	76.2	128	112	144	115	10X10
3.5"	89	139	120	144	123.5	11X11
4"	101.6	154	128	144	131	11X11
108	108	159	128	160	133.5	11X11
114	114.3	159	128	160	133.5	11X11
5"	127	185	160	220	146.5	11X11
133	133	185	160	220	146.5	11X11
6"	152.4	215	180	220	161.5	11X11
159	159	215	180	220	161.5	11X11
168.3	168.3	215	180	220	161.5	11X11
8"	203.2	285	180	284	199	14X14
219	219	285	180	284	199	14x14

Actuator

Attuatore verticale:



Stainless Steel Vertical Pneumatic Actuator
Part no:AC01

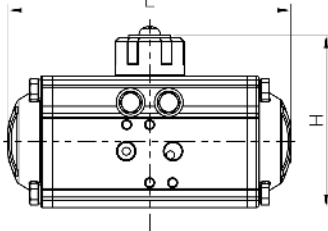
L'attuatore di può richiedere: NC, NO, doppio effetto, con finecorsa, testa intelligente e/o posizionatore.

Size	Dc	H	可配蝶阀 match with butterfly valve		可配球阀 match with ball valve	
Φ85	85.0	180.5	DN20-DN100	1"-4"	DN20-DN50	1"-2"
Φ108	108	223	DN125-DN150	5'-6"	DN65-DN80	2.5"-3"
Φ133	133	400	DN200	8"	DN100	4"

Aluminum Horizontal Actuator
Part no:AC02

L'attuatore di può richiedere: NC, NO, doppio effetto, con finecorsa, testa intelligente e/o posizionatore.

Attuatore orizzontale:



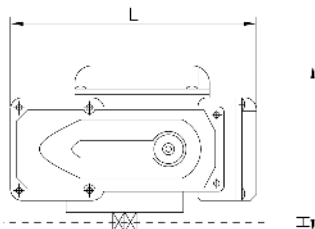
Size	L	H	可配蝶阀 match with butterfly valve		可配蝶式球阀 match with butterfly type ball valve	
ZT050D	140	89	1"-1.25"	DN20-DN32	0.75"-1"	DN15-DN25
ZT063D	159	105	1.5"-2.5"	DN40-DN65	1.5"-2"	DN32-DN50
ZT075D	210	122	3" 3.5"	DN80	2.5" 3"	DN65 DN80
ZT088D	248	135	4"-5"	DN100-DN125	3"-4"	DN80-DN100
ZT100D	270	147	5"	DN125	4"	DN100

Please contact us for more detailed specifications

Electric Horizontal Actuator
Part no:AC03

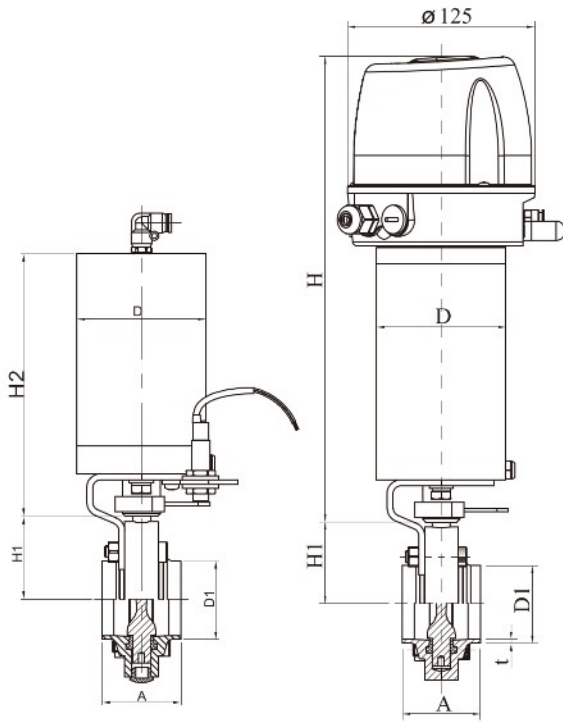
Electric: on-off indicator light, passive contact signal, intelligent control, 1k 5k potentiometer

Attuatore elettrico:



Size	L	H	H1	可配蝶阀 match with butterfly valve		可配蝶式球阀 match with butterfly-type ball valve	
HL-05	157.5	115.0	103.0	1"-4"	DN20-DN100	1"-2"	DN15-DN25
HL-10	208.0	124.0	115.0	5"-8"	DN125-DN200	2 1/2"-3"	DN32-DN50
HL-20	280.0	135.0	109.0			4"	DN100

Please contact us for more detailed specifications



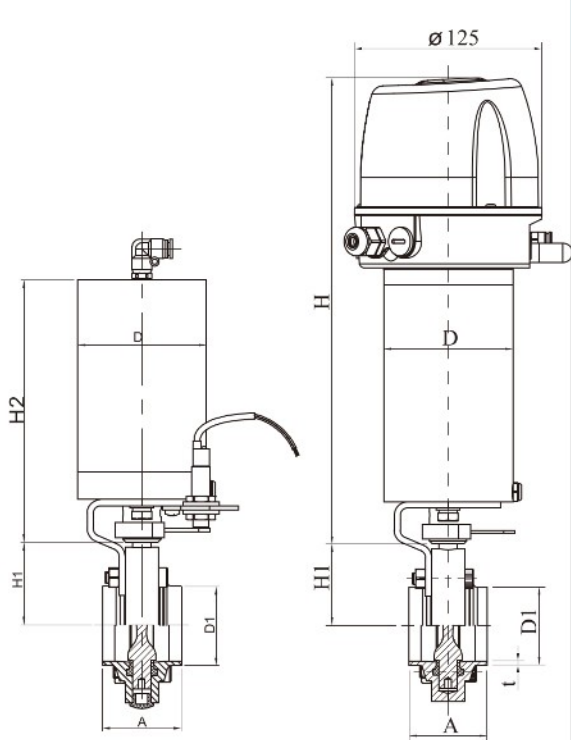
Part no:BUV022

BUV023

DIN
Pneumatic SS actuated welded butterfly valve

SIZE	D	A	H	H1	H2	D1	
						1	2
DN10	86	50	305	41		12	13
DN15	86	50	305	41	172.5	18	19
DN20	86	50	305	41		22	23
DN25	86	50	305	41		28	29
DN32	86	50	305	45	172.5	34	35
DN40	86	50	305	47		40	41
DN50	86	50	305	55		52	53
DN65	86	56	305	64	172.5	70	-
DN80	86	60	305	71		85	-
DN100	86	64	305	81	172.5	104	-
DN125	133	74	425	116	248	129	-
DN150	133	80	425	136	285	154	-
DN200	133	88	425	171	294	204	-

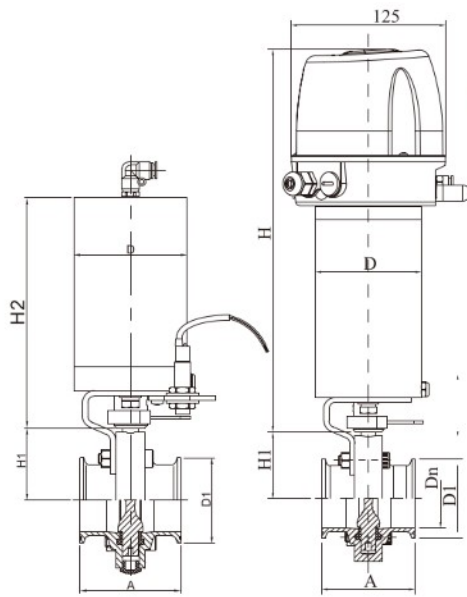
Inch
Pneumatic SS actuated welded butterfly valve



Part no:BUV024

BUV025

SIZE	D	A	H	H1	H	D1
1/2"	86	50	305	41		12.7
3/4"	86	50	305	41	172.5	19
1"	86	50	305	41		25.4
1 1/4"	86	50	305	41		31.8
1 1/2"	86	50	305	45	172.5	38.1
45	86	50	305	47		45
48	86	50	305	49		48
2"	86	50	305	53	172.5	50.8
57	86	50	305	55		57
2 1/2"	86	52	305	59		63.5
3"	86	56	305	66	172.5	76.2
3.5"	86	60	305	71		89
4"小	86	64	305	79		101.6
4"大	86	64	305	81	172.5	101.6
108	86	64	305	81		108
114	86	64	305	81		114.3
5"	133	80	425	116	248	127
133	133	80	425	116		133
6"	133	88	425	136		152.4
159	133	88	425	136	285	159
168.3	133	88	425	136		168.3
8"	133	88	425	171	295	203.2
219	133	88	425	171		219



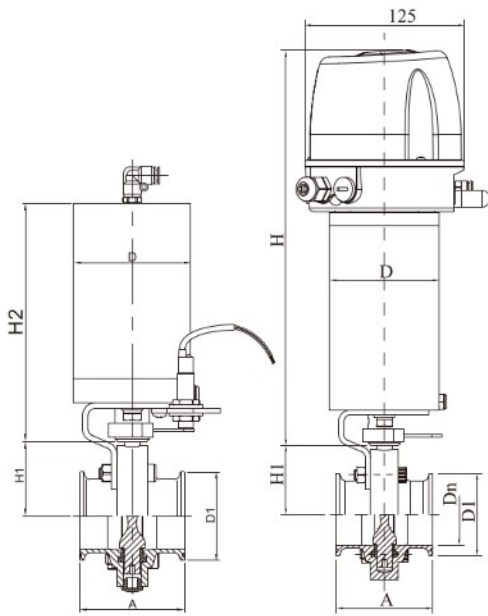
Part no:BUV026

BUV027

DIN
Pneumatic SS actuated clamped butterfly valve

Size	Dn	D1	H	H1	H2	A
DN10	9	12	307.5	40	172.5	66
DN15	15	18	307.5	40	172.5	66
DN20	19	22	307.5	40	172.5	66
DN25	25	28	307.5	40	172.5	66
DN32	31	34	307.5	44.5	172.5	66
DN40	37	40	307.5	46.5	172.5	70
DN50	49	52	307.5	54.5	172.5	76
DN65	66	70	307.5	64	172.5	80
DN80	81	85	307.5	70.5	172.5	84
DN100	100	104	307.5	81	172.5	104
DN125	125	129	383	94.5	248	122
DN150	150	154	420	110	285	146
DN200	200	204	429	145	294	166

Inch
Pneumatic SS actuated clamped butterfly valve



Part no:BUV028

BUV029

Size	Dn	D1	H	H1	H2	A
1/2"	9.7	12.7	307.5	40	172.5	66
3/4"	16.1	19.1	307.5	40	172.5	66
1"	22.4	25.4	307.5	40	172.5	66
1 1/4"	28.8	31.8	307.5	40	172.5	66
1 1/2"	35.1	38.1	307.5	44.5	172.5	66
Ø45	41	45	307.5	46.5	172.5	74
Ø48	45	48	307.5	48.5	172.5	76
2"	47.8	50.8	307.5	52.5	172.5	76
Ø57	53	57	307.5	54	172.5	76
2 1/2"	59.5	63.5	307.5	59	172.5	80
3"	72.2	76.2	307.5	65.5	172.5	84
3.5"	85	89	307.5	72	172.5	86
4"小	97.6	101.6	307.5	79	172.5	104
4"大	97.6	101.6	307.5	81	172.5	104
108	104	108	307.5	82.5	172.5	106
114.3	110.3	114.3	383	82.5	248	106
133	127	133	383	94.5	248	122
6"	146.8	152.4	420	110	285	146
159	153	159	420	110	285	146
8"	197.6	203.2	429	145	294	166
219	211	219	429	145	294	166
10"	247.2	254	429	174	294	166

Hygienic Power Tight Butterfly Valve

Application

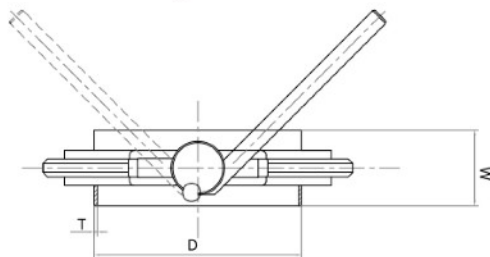
This type of butterfly valves are ideally designed for powder dispensing systems in pharmaceutical, food and associated industries. Simple to assemble and breakdown, for easy and thorough cleaning, the rotary valves provide sanitary powder handling in situations where hygiene is essential.

Comprising of four parts (vane, 2 part valve body and connection/discharge collars) the valve is designed for easy connection to a range of powder processing equipment.

The valve vane is available in three variations:

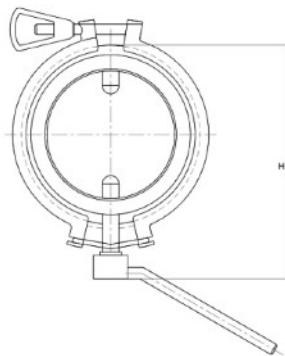
1. A flexible silicone coated disc minimizes product damage during interruption and isolation of capsule or tablet flow
2. A stainless steel disc, designed for powder use, provides an air tight seal in the closed position for complete containment
3. A stainless steel star vane provides improved product flow and reduces buildups.

The valve body can be either clamped around the vane, using the specially designed clamp, or bolted. The connections/discharge collars can be clamped, welded or even connected by Tri-clamp to containers and process lines.

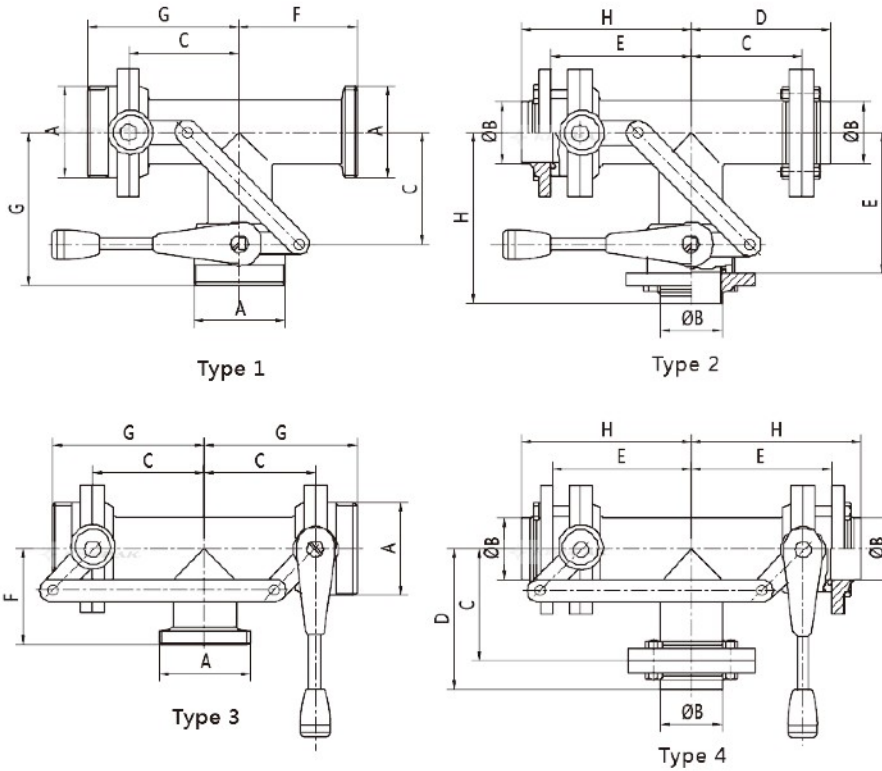


Part no:BUV030

Size	H	W	D	T
4"	230	54	Φ 102	2
6"	290	70	Φ 154	2
8"	356	75	Φ 206	3
12"	440	90	Φ 305	3.5



3 Way Linkage Butterfly Valve



DIN

DN	A	B	C	D	E	F	G	H
DN20	RD44X1/6"	22/23X1.5	62	84	90	59	95	112
DN25	RD52X1/6"	28/29X1.5	72	94	100	72	106	122
DN32	RD58X1/6"	34/35X1.5	79	103	105	77	112	129
DN40	RD65X1/6"	40/41X1.5	84	108	110	82	118	134
DN50	RD78X1/6"	52/53X1.5	94	118	120	93	129	144
DN65	RD95X1/6"	70X2	105	130	130	105	141	155
DN80	RD110X1/4"	85X2	108	146	157	115	154	174
DN100	RD130X1/4"	100X2	120	160	167	130	169	190

Inch

Size	A		B	C	D	E	F	G	H	
	SMS	RJT								
1"	RD40X1/6"	37.13X8TPI ACME	45.72X8TPI WHIT	25.4X1.65	77	99	99	74	105	121
1.5"	RD60X1/6"	50.65X8TPI ACME	58.42X8TPI WHIT	38.1X1.65	94	118	110	93	118	134
2"	RD70X1/6"	64.16X8TPI ACME	72.72X6TPI WHIT	50.8X1.65	106	130	120	105	130	154
2.5"	RD85X1/6"	77.67X8TPI ACME	85.42X6TPI WHIT	63.5X1.65	130	155	148	132	155	173
3"	RD98X1/6"	99.19X8TPI ACME	98.12X6TPI WHIT	76.2X1.65	138	166	156	137	166	184
4"	RD125X1/4"	119.25X6TPI ACME	123.52X6TPI WHIT	101.6X2.11	180	210	198	180	210	228