

INTRODUCING THE 24DT-SP-ET THERMOMETER & LIGHT SWITCH FOR WALK-INS



- ✓ LED Temp Display with °F/°C switch
- ✓ 1 second, 1 minute or 3 minute display update
- ✓ Light switch (15A) and SST J-Box Mount Cover
- ✓ 120V Direct Power
- ✓ Optional Battery back-up
- ✓ Save on installation costs



Now you can combine your Light Switch and Digital Thermometer in one easy to install package. The waterproof "elbow" engaged illuminated light switch allows operators to turn on the walk-in light easily, even when their hands are full. The industrial duty light switch is rated at 15A and includes optional gasket for outdoor use.

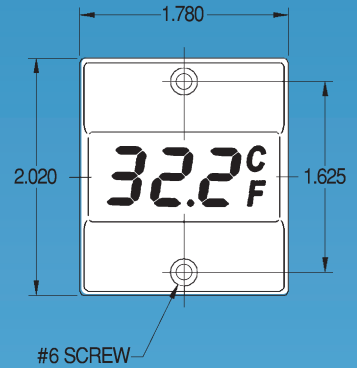
The continuation of the **evolution** in Digital Thermometry from Weiss Instruments, the leader in Temperature Measurement and Control.

Cat. No.	Description	Power	°F/°C	Update
24DT	0=Thermometer only	0=12Vac./DC 4=110Vac. 5=230Vac.	F=°F -40/230°F C=°C -40/110°C	0=1 sec. 1=1 min. 3=3 min.
Ex: 24DT-04F1	0 4 F 1 0 - 110V - °F - 1 min.			
Cat. No.	Description	Power	°F/°C	Update
24DT	S=Switchplate	0=12Vac./DC 4=110Vac. 5=230Vac.	F=°F -40/230°F C=°C -40/110°C	0=1 sec. 1=1 min. 3=3 min.
Ex: 24DT-S4F1	S 4 F 1 S - 110V - °F - 1 min.			
Cat. No.	Description	Power	°F/°C	Update
24DT	L=Switchplate w/ Lighted Switch	0=12Vac./DC 4=110Vac. 5=230Vac.	F=°F -40/230°F C=°C -40/110°C	0=1 sec. 1=1 min. 3=3 min.
Ex: 24DT-L4F1	L 4 F 1 L - 110V - °F - 1 min.			

WEISS INSTRUMENTS INTRODUCES THE 24DT THERMOMETER



- ✓ LED Temp Display with °F/°C switch
- ✓ 1 second, 1 minute or 3 minute update
- ✓ Optional light switch and SST cover
- ✓ 120V Direct Power
- ✓ Optional battery back-up
- ✓ Popular back mounting
- ✓ Low Cost



First there was the *Ashcroft* 2100E, then came the *CPI* TI-6000 followed by the *Miljoco* ED175-2403 "Little Red". Now the evolution is now complete with the introduction of the Weiss 24DT. The "smart thermometer" features leave the competition in the dark ages. Features such as disconnectable sensor power, smart updates, °F/°C switchable and no more transformers, make the 24DT the new choice in LED temperature indicators.

American Heritage Dictionary defines: evolution - The gradual development of something into a more complex or better form.

Part Numbers				
Cat. No.	Description	Power	°F / °C	Update
24DT	0=Thermometer	0=12Vac./DC 4=120Vac. 5=230Vac.	F= °F -40/230 °F C=°C -40/110 °C	0=1 Second 1=1 Minute 3=3 Minute
Ex: 24DT-04F1 - 0 4 F 1				
<div style="display: flex; align-items: center; gap: 10px;"> 0 - 120V - °F - 1 Min. </div>				
Complete with 5 Ft. Sensor				



WEISS INSTRUMENTS, INC.

905 Waverly Ave., Holtsville, New York 11742

631-207-1200 • Fax 631.207.0900 • www.weissinstruments.com

Light Powered Digital Vari-angle Thermometers

Romotec srl - www.romotec.it - info@romotec.it - Romotec srl - www.romotec.it - info@romotec.it

Bimetal & Ind. Stem Types with Transmitter



CASE SIZE & MATERIAL - 5" Hermetically Sealed St.St.
RANGE -50 to 300°F (-45 to 150°C) with F/C switch
ACCURACY - 1%
WINDOW - Glass / Acrylic / Shatterproof Glass
LUX RATING - 10 Lux (one foot candle)
DISPLAY - 1/2" LCD Digits
RESOLUTION - 0.1°F between -19.9/199.9°F (-20/93°C)
AMBIENT OPERATING -30/140°F (-35/60°C)
AMBIENT TEMPERATURE ERROR - Zero
SENSOR - Glass Passivated Thermistor
RESET - Internal Potentiometer
STEM - Bimetal: 1/4" Diameter with Fixed 1/2" NPT
 Ind. Glass: 7/16" Tapered with 1 1/4"-18 jam nut
CONFORMANCE - ASME B40.3

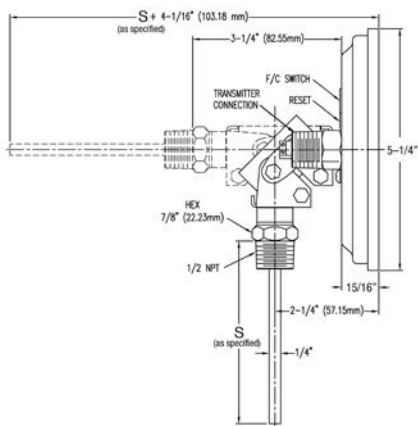
© Vari-angle is a registered trademark of Weiss Instruments, LLC.

5" DIAL BIMETAL STEM		
Catalog No. 5" Vari-angle	Stem Length (incl. thread)	NPT
5DVBMT25	2 1/2"	1/2"
5DVBMT4	4"	1/2"
5DVBMT6	6"	1/2"
5DVBMT9	9"	1/2"
5DVBMT12	12"	1/2"

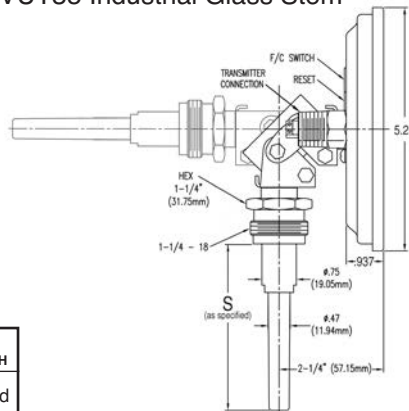
5" DIAL IND. GLASS STEM		
Catalog No. 5" Vari-angle	Stem Length (incl. thread)	Thread
5DVUT35	3 1/2"	1-1/4 - 18
5DVUT6	6"	1-1/4 - 18
5DVUT9	9"	1-1/4 - 18
5DVUT12	12"	1-1/4 - 18

Safety Glass option available

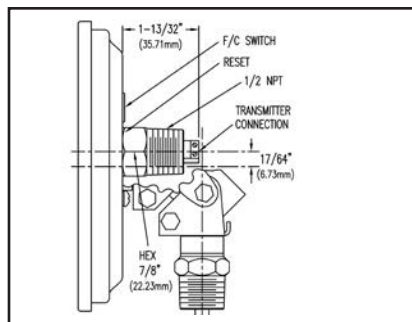
5DVBMT Bimetal Stem



5DVUT35 Industrial Glass Stem



DIAL SIZE	A	B	S STEM LENGTH
5"	5 1/4"	15 1/16"	as specified



TRANSMITTER - Model 5DVBMT & 5DVUT

RANGE -58/302°F (-50/150°C)
OUTPUT 4 to 20mA
OPERATING AMBIENT -15/185°F (-25/85°C)
AMBIENT ERROR .015% Span (°C)
SUPPLY 12 to 35VDC
MAX. LOAD RESISTANCE 775Ω with 24VDC Supply
ACCURACY 0.5% of Span Platinum
SENSOR 100ΩRTD



Now Serving . . . The **Coldest** Beer in Town
With the New BD4 - Beer Cave Thermometer



The BD4, from Weiss Instruments, tells your customers what they want to see and that's Cold Beer and Beverages. The BD4 features a Jumbo 4" **CoolBlu** LED Display viewable up to 150 Ft. away. Pre-calibrated with it's 10 Ft NSF sensor the BD4 can also be programmed to read out in °C. There are 3 display light levels and the 14.5" x 6.25" x 2" sturdy metal case is quickly wall mounted with two slot screws. Not limited to just beer, the BD4 can measure and display temperature in a big way for any application. Outside temperature, pool temperature or at a large venue where you need to see the temperature from a distance. Now Global Warming and Cooling can be seen from a safe distance. The complete kit includes a UL 120V power adaptor plug and a 10 Ft temperature probe with a .25" x 2.5" SST sensor.

Dimensions: Case: 14.5" x 6.25" x 2"

LED: 4" 3&½ digits

Colors: Red, Blue

Weight: 3.70 lbs.

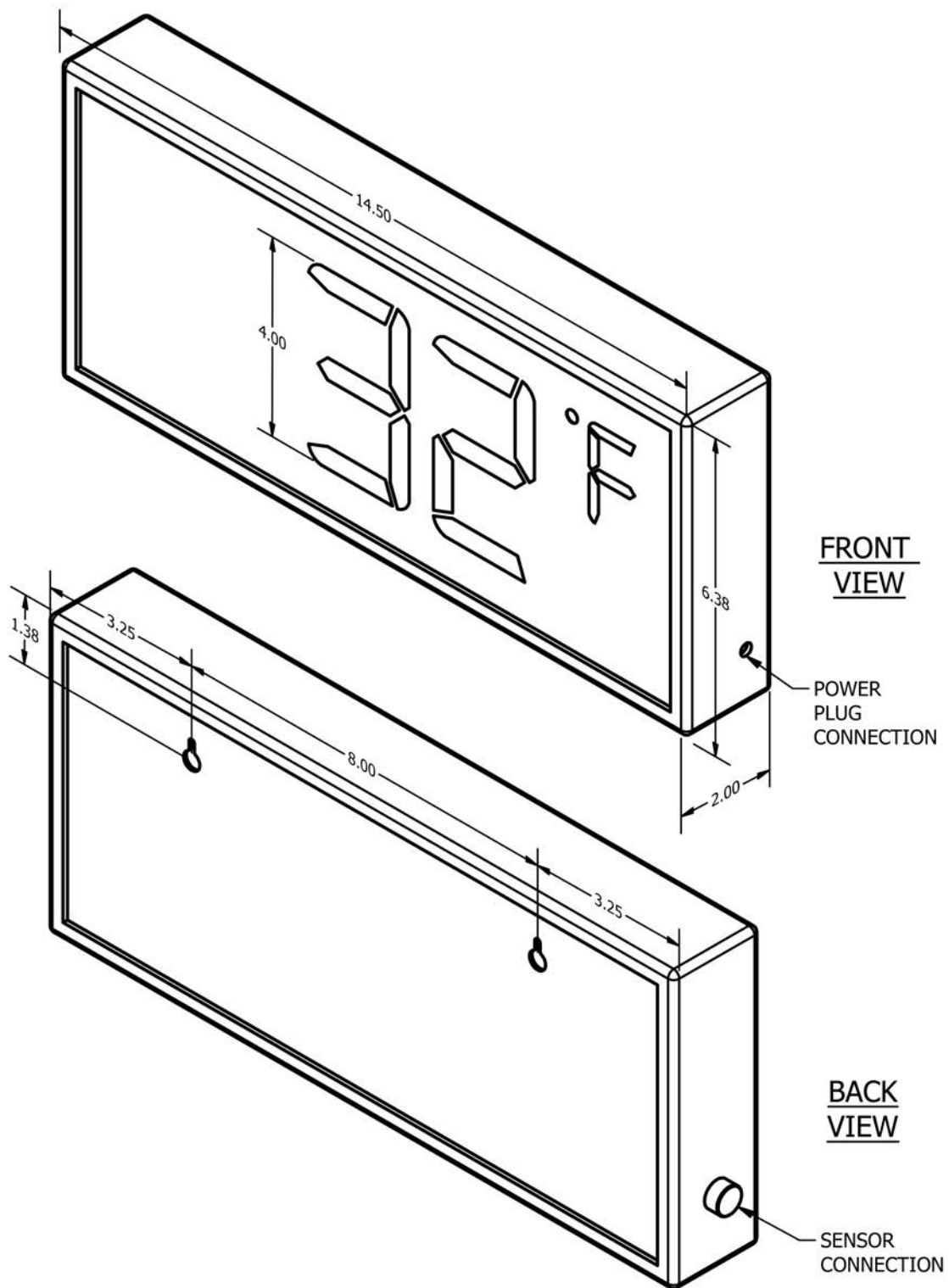
Mounting: Wall-mount 2 Screws / 8" centers (use #6 Pan head screws)

Probe: NTC, NSF (Standard size: ¼" x 2.5" x 10 ft.), other sensors available

Range: -2°F to 158°F (-19C to 70°C)

Accuracy: ± 2°F

Power: 100V – 240V 50/60Hz / .55A / UL / FCC / w/ std 120V plug in power adaptor



WEISS INSTRUMENTS. INC.

SERIES BM - RBM - VBM • MODEL 134 & PT

SPECIFICATIONS

CASE	The entire case assembly is of Type 304 Stainless Steel. To insure a moisture proof unit, the heavy glass face is securely gasketed with the case and bezel assembly, hermetically sealed.
STEM ASSEMBLY	The stem and fixed thread connection is fabricated of stainless steel. All welded construction insures complete corrosion resistance. Series BM, RBM and VBM stem diameter is 1/4" and for 2" dials the fixed thread is 1/4" NPT, 3" & 5" dials are 1/2" NPT.
BIMETALLIC ELEMENT	The sensitive, precision formed bimetallic element is accurately calibrated to meet certified temperature standards. The Helix assembly is silicone damped against vibration. Silicone fluid increases the speed of responses due to more rapid heat transfer from stem to bimetallic element.
DIAL	Heavy gauge aluminum with hard surface white matte finish to reduce glare. Black graduation lines and numerals.
ACCURACY	Accurate within 1% of scale range.
SEPARABLE SOCKETS	Separable sockets are available in all materials for direct attachment to the fixed stems.

MODEL

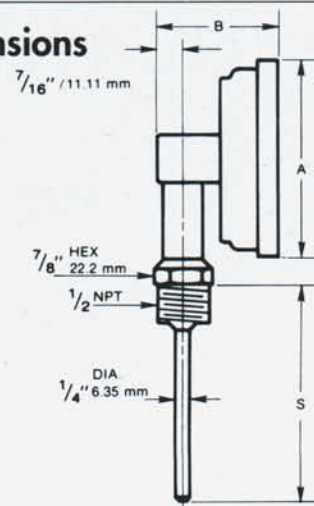
2BM - 3BM - 3BMS - 5BM - 5BMS



2BM - 3BM - 5BM
Angle Form

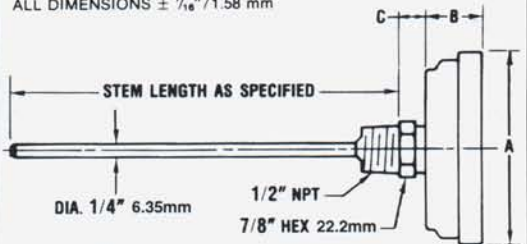
3BMS - 5BMS
Straight Form

Dimensions



DIAL SIZE	A	B	S (stem length)
3"	3 1/4"	1 7/8"	as specified
76.2 mm	82.55 mm	47.62 mm	
5"	5 1/4"	1 7/8"	as specified
127 mm	133.35 mm	47.62 mm	

ALL DIMENSIONS ± 1/16" / 1.58 mm



DIAL SIZE	A	B	C
3"	3 1/4"	1 1/16"	1/4"
76.2 mm	82.55 mm	17.38 mm	6.35 mm
5"	5 1/4"	1 3/16"	7/16"
127 mm	133.35 mm	23.81 mm	11.11 mm

ALL DIMENSIONS ± 1/16" / 1.58 mm

2" Dial

3" Dial

5" Dial

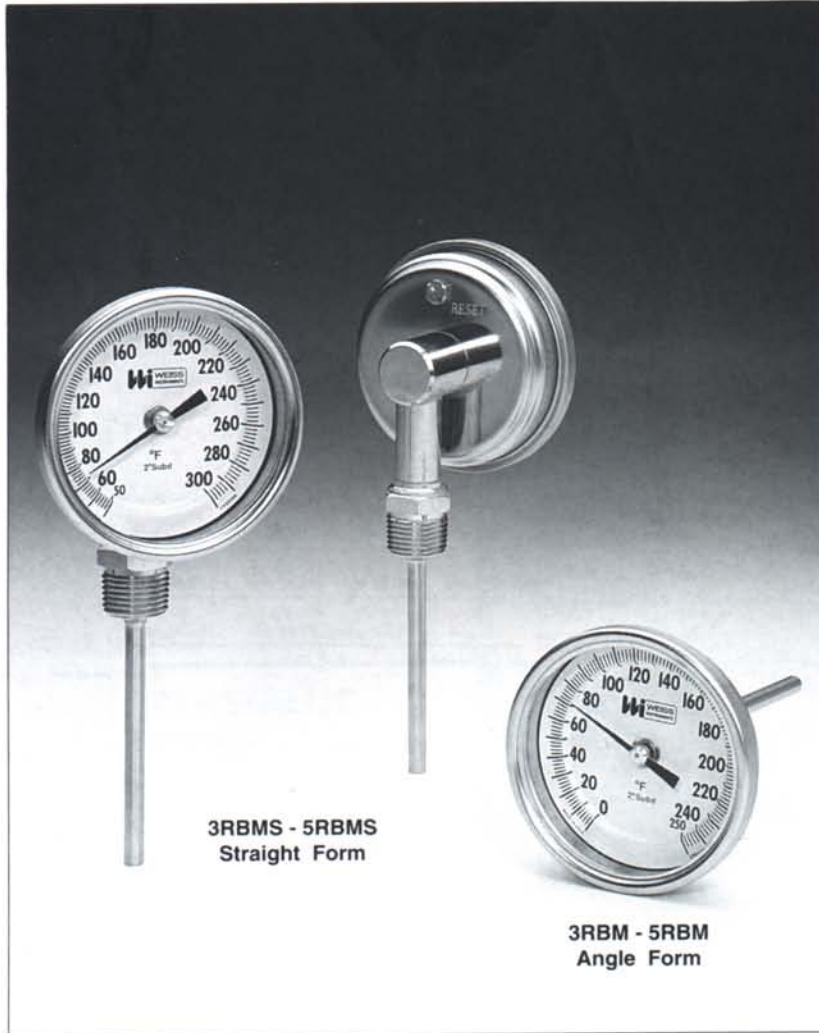
Catalog No. 2" Angle	Stem Length (Incl. thread)	NPT
2BM25	2-1/2"	1/4"
2BM4	4"	1/4"
2BM6	6"	1/4"
2BM9	9"	1/4"
2BM12	12"	1/4"
Longer stems lengths available		

Catalog No. 3" Angle - 3" Str.	Stem Length (Incl. thread)	NPT
3BM25 3BMS25	2-1/2"	1/2"
3BM4 3BMS4	4"	1/2"
3BM6 3BMS6	6"	1/2"
3BM9 3BMS9	9"	1/2"
3BM12 3BMS12	12"	1/2"
Longer stem lengths available		

Catalog No. 5" Angle - 5" Str.	Stem Length (Incl. thread)	NPT
5BM25 5BMS25	2-1/2"	1/2"
5BM4 5BMS4	4"	1/2"
5BM6 5BMS6	6"	1/2"
5BM9 5BMS9	9"	1/2"
5BM12 5BMS12	12"	1/2"
Longer stem lengths available		

MODEL

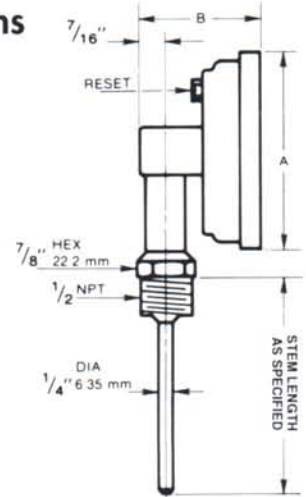
3RBM - 3RBMS - 5RBM - 5RBMS



3RBMS - 5RBMS
Straight Form

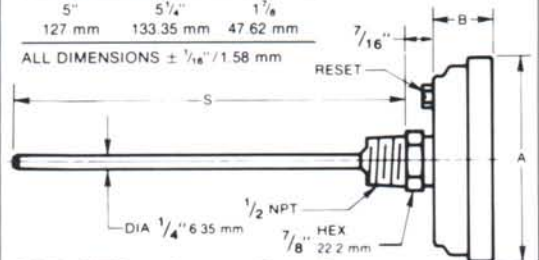
3RBM - 5RBM
Angle Form

Dimensions



DIAL SIZE	A	B
3"	3 1/4"	1 7/8"
76.2 mm	82.55 mm	47.62 mm
5"	5 1/4"	1 7/8"
127 mm	133.35 mm	47.62 mm

ALL DIMENSIONS ± 1/16" / 1.58 mm



DIAL SIZE	A	B	S (stem length)
3"	3 1/4"	1 5/8"	as specified
76.2 mm	82.55 mm	23.81 mm	specified
5"	5 1/4"	1 5/8"	as specified
127 mm	133.35 mm	23.81 mm	specified

ALL DIMENSIONS ± 1/16" / 1.58 mm

3" Dial

5" Dial

Catalog No.	Stem Length (Incl. thread)	NPT
3RBM25 3RBMS25	2-1/2"	1/2"
3RBM4 3RBMS4	4"	1/2"
3RBM6 3RBMS6	6"	1/2"
3RBM9 3RBMS9	9"	1/2"
3RBM12 3RBMS12	12"	1/2"

Longer stems lengths available

NOTE: When ordering Liquid Filled BiMetals add Prefix SF to appropriate Catalog Number. Ex: SF3RBM25

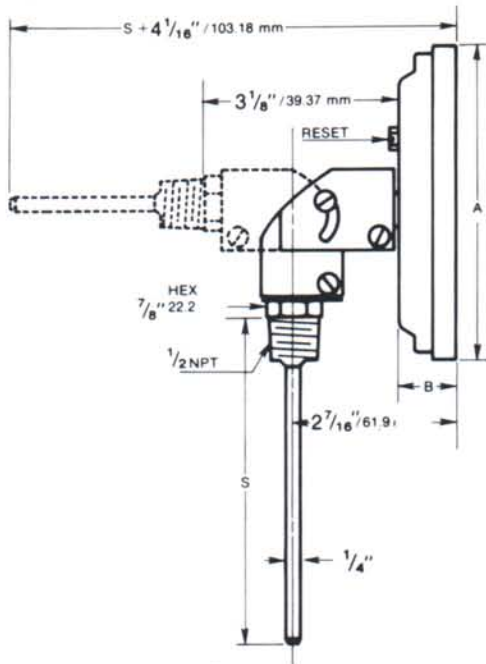
Catalog No.	Stem Length (Incl. thread)	NPT
5RBM25 5RBMS25	2-1/2"	1/2"
5RBM4 5RBMS4	4"	1/2"
5RBM6 5RBMS6	6"	1/2"
5RBM9 5RBMS9	9"	1/2"
5RBM12 5RBMS12	12"	1/2"

Longer stem lengths available



MODEL 3VBM - 5VBM

Dimensions



DIAL SIZE	A	B	S (stem length)
3"	3 1/4"	15/16"	as specified
76.2 mm	82.55 mm	23.81 mm	
5"	5 1/4"	15/16"	as specified
127 mm	133.35 mm	23.81 mm	

ALL DIMENSIONS $\pm 1/16"$ 1.58 mm



3VBM - 5VBM
Vari-angle Form



SF3VBM - SF5VBM
Liquid Filled Vari-angle

3" Dial

Catalog No.	Stem Length (Incl. thread)	NPT
3VBM25	2-1/2"	1/2"
3VBM4	4"	1/2"
3VBM6	6"	1/2"
3VBM9	9"	1/2"
3VBM12	12"	1/2"

Longer stems lengths available

NOTE: When ordering Liquid Filled BiMetals add Prefix SF to appropriate Catalog Number. Ex: SF3VBM25

5" Dial

Catalog No.	Stem Length (Incl. thread)	NPT
5VBM25	2-1/2"	1/2"
5VBM4	4"	1/2"
5VBM6	6"	1/2"
5VBM9	9"	1/2"
5VBM12	12"	1/2"

Longer stem lengths available

Weiss Series RBM and VBM Silicone Filled Bimetal Thermometers are offered for those applications where severe vibration is a condition. The silicone filling dampens and lubricates the internal parts which reduces pointer flutter and prolongs instrument life. The silicone allows more rapid temperature response.

Laboratory Thermometers

MODEL 134 & PT

These versatile all stainless steel Bimetal Thermometers are specifically designed for general testing.

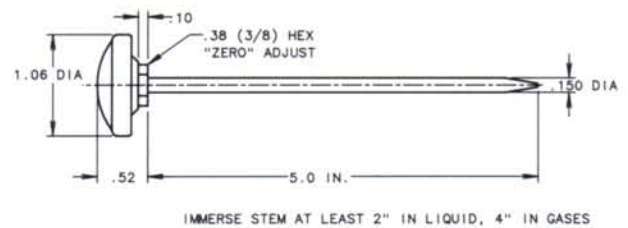
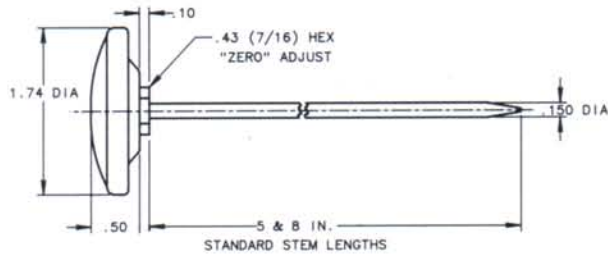


Model 134



Model PT

Dimensions



MODEL 134

1-3/4" diameter head, .150" diameter stem and 8" stem length (5" stem length also available).
1% Accuracy of entire scale range.

STANDARD RANGES

Fahrenheit	Celsius
40-0-160°	0-100°
25-125°	10-150°
0-220°	0-200°
50-550°	

MODEL PT

1" diameter head, .150" diameter stem, 5" stem length with recalibrator. Includes pocket case and clip. Spike stems standard.
1% Accuracy of scale range.

Order by Model No., include scale range and stem length.

STANDARD RANGES

Fahrenheit	Celsius
40-0-180°	0-100°
25-125°	0-250°
0-220°	
50-550°	

Thermowell Conversion Kit

Designed to permit installation of Weiss Bimetal Thermometer in existing mercury-in-glass industrial thermometer thermowells.

Easy To Determine Stem Length

Measure exiting well depth by inserting a small diameter rod (or pencil will do) into well until it reaches the bottom (Fig.1). Using your thumb as the index, remove rod and measure distance from end of rod to the index point (Fig.2). Use selector table to determine thermometer stem length to fit well.

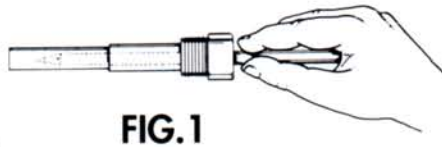


FIG.1

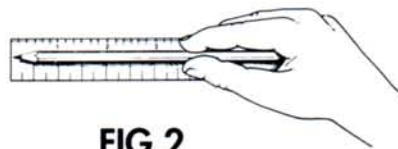
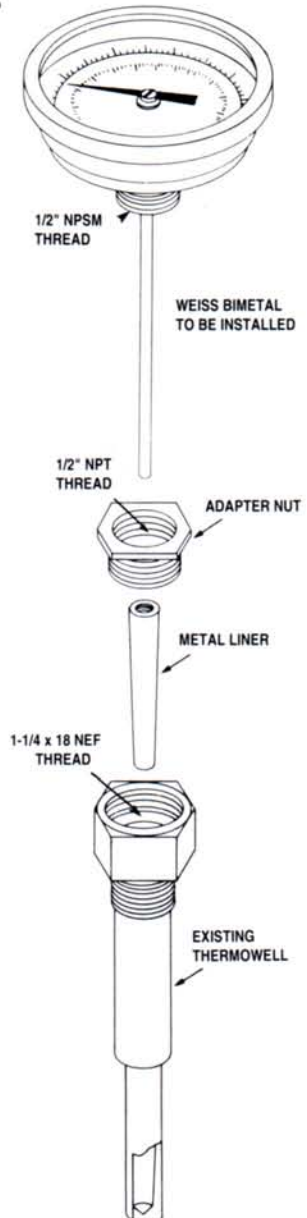


FIG.2

Assemble Adapter/Install Thermometer

Drop or push metal liner into well, thread adapter nut into well and tighten, install Weiss Bimetal Thermometer. Note: As with any thermowell, a small amount of graphite and oil on the lower 2" of the stem will improve response time.

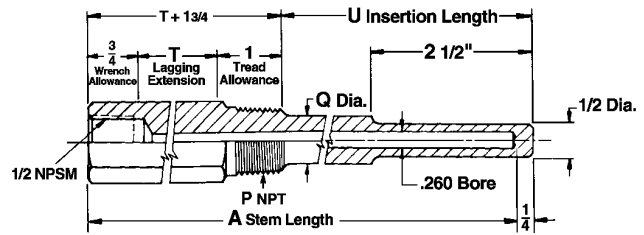
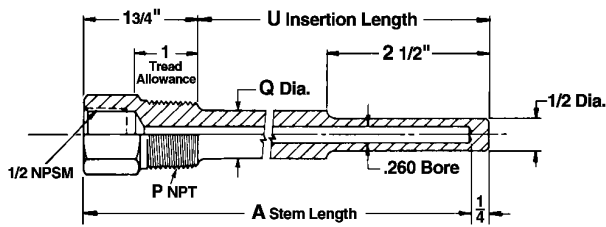


Stem Length Selection Table

Nominal Stem Length	3-1/2"	6"	8"	9"	10"	12"	18"	24"
Well Depth	4-1/2"	6-1/2"	8-1/2"	9-1/2"	10-1/2"	12-1/2"	18-1/2"	24-1/2"
Bimetal Stem Length	4"	6"	*8"	9"	*10"	12"	18"	24"

* Non-standard stem length thermometer available with prompt delivery.

Separable Socket - Series 3 & 5"

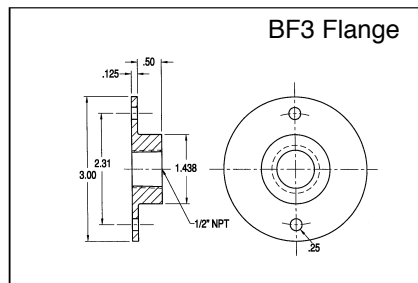


EXT. TH'D	CAT. NO.	STEM LGTH. A	INSERT LGTH. U	SHANK DIA. Q
3/4" NPT	* B25	2 1/2	1	-
	* B35	4	2 1/2	3/4
	BR6	6	4 1/2	3/4
	BR9	9	7 1/2	3/4
	BR12	12	10 1/2	3/4
	BR15	15	13 1/2	3/4
	BR18	18	16 1/2	3/4
BR24	24	22 1/2	3/4	
1" NPT	B35	4	2 1/2	3/4
	BR6	6	4 1/2	3/4
	BR9	9	7 1/2	3/4
	BR12	12	10 1/2	3/4
	BR15	15	13 1/2	3/4
BR18	18	16 1/2	3/4	
BR24	24	22 1/2	3/4	

*1/2" NPT Available

EXT. TH'D	CAT. NO.	STEM LGTH. A	INSERT LGTH. U	LAG EXT. T	SHANK DIA. Q
3/4" NPT	BSS35	4	1 1/2	1 3/4	3/4
	BN6	6	2 1/2	2	3/4
	BN9	9	4 1/2	3	3/4
	BN12	12	7 1/2	3	3/4
	BN15	15	10 1/2	3	3/4
	BN18	18	13 1/2	3	3/4
	BN24	24	19 1/2	3	3/4
1" NPT	BSS35	4	1 1/2	1 3/4	7/8
	BN6	6	2 1/2	2	7/8
	BN9	9	4 1/2	3	7/8
	BN12	12	7 1/2	3	7/8
	BN15	15	10 1/2	3	7/8
	BN18	18	13 1/2	3	7/8
	BN24	24	19 1/2	3	7/8

Wells should be used on all pressurized applications, to protect the stem of the thermometer from corrosion and physical damage and to facilitate removal of the thermometer without disturbing the process.



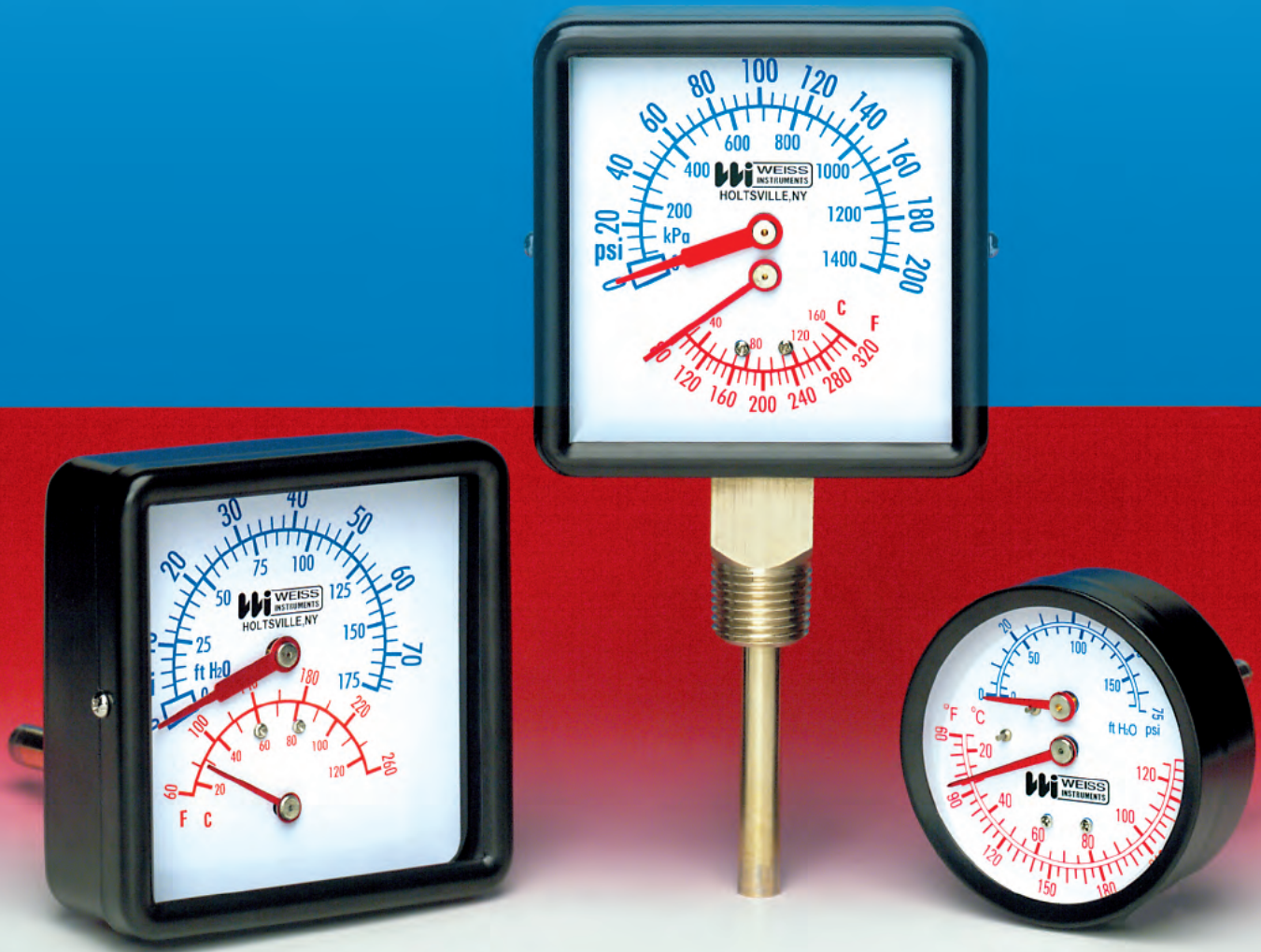
Also available with Fixed Extension Neck - Cat. No. BF3-2

FAHRENHEIT	FIG. INTERVAL	SCALE DIV.	CELSIUS	FIG. INTERVAL	SCALE DIV.	DUAL SCALE - F&C	
-80/0/120	20°	2°	-50/0/50	10°	1°	-80/0/120F	-60/0/50C
-20/0/120	20°	2°	**0/50	5°	1/2°	-20/0/120F	-30/0/50C
**30/130	10°	1°	0/100	10°	1°	**30/130F	0/55C
0/200	20°	2°	0/150	10°	1°	0/200F	-15/0/90C
0/250	20°	2°	0/200	20°	2°	0/250F	-20/0/120C
50/300	20°	2°	0/300	50°	2°	50/300F	10/150C
50/400	50°	5°	*0/450	50°	5°	50/400F	10/200C
50/550	50°	5°	**100/550	50°	5°	50/550F	10/260C
*100/800	100°	10°				*100/800F	40/425C
**200/1 000	100°	10°				**200/1000F	100/540C

* Satisfactory for continuous service up to 800°F or 425°C. Can be used for intermittent service from 800-1000°F or 425-500°C.
 ** Minimum stem length for these Ranges is 4". ** Minimum stem length is 4" Straight and Vari-angle Form.

WEISS INSTRUMENTS

TRI-O-METERS



indicates water pressure, water temperature and system head in feet of water.

The TRI-O-METER is available in two dial sizes, a 3 1/2" square dial with 1/2" NPT in lower or rear connection. And a 2 1/2" round dial with 1/4" NPT rear connection.

Bold markings and colors on a white dial ensure easy readability and a good looking addition to any installation.

SPECIFICATIONS

DIAL SIZE 2 1/2" and 3 1/2"

CASE Black epoxy coated steel with glass window.

CONNECTION Brass NPT fitting with brass sensor bulb.

PRESSURE & TEMPERATURE ELEMENT Phosphor bronze.

SYSTEM ACCURACY Pressure /Altitude $\pm 2\%$ of Span in middle half of range, $\pm 3\%$ of Span elsewhere. Temperature $\pm 3\%$ of Span over entire range.

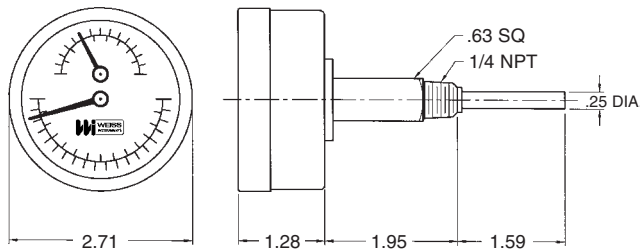
RANGES Series C 0-75psi & ft. of H₂O, 60-260°F&C.

Series H 0-200psi & kPa, 80-320°F&C.

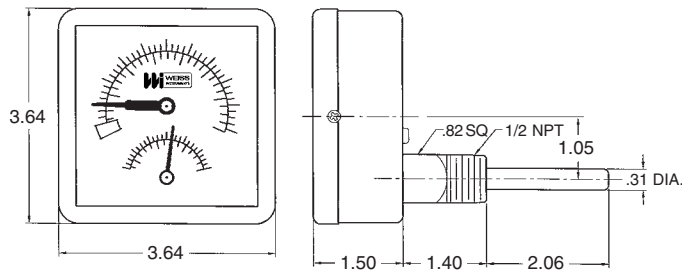
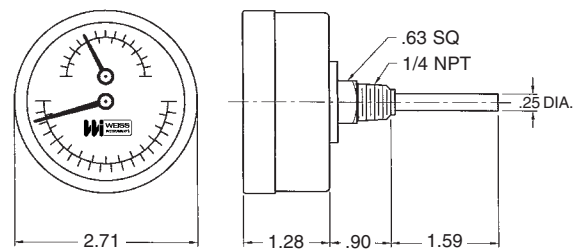
CATALOG NUMBERS:

CTP25R	1/4" NPT Rear
CTP25RX	1/4" NPT Rear x 2" extension
CTP40RSX	1/2" NPT Rear
CTP40L	1/2" NPT Lower
HTP40RSX	1/2" NPT Rear
HTP40L	1/2" NPT Lower

CTP25RX
Extension

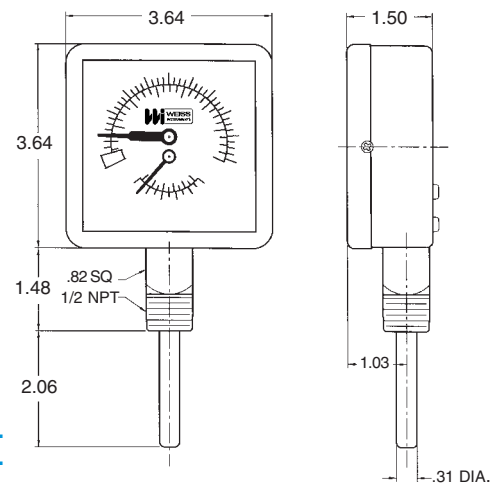


CTP25R



CTP40RSX
HTP40RSX

CTP40L
HTP40L



CTP-5/07

WEISS INSTRUMENTS



Vari-angle® Digital Thermometers

Featuring the Latest Technology for HVAC Applications

- * Environmentally Friendly - Mercury Free
- * Direct Replacement for Industrial Glass and Bimetal Thermometers
- * Stock One Item for Chilled, Condenser and Hot Water Applications
- * Light Powered - No Batteries
- * F/C Switchable
- * Fast Response
- * Economical

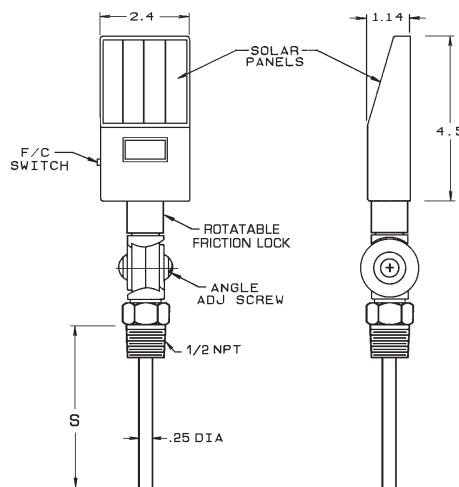
The Weiss patented,* Digital Vari-angle® Thermometer maintains the strict requirements for ther-
 series of digital thermometers offers the added feature of stem assemblies for direct replacement of
 mercury-in-glass types where environmental concerns exist. Whether on new installations or
 replacements, our Vari-angle Digital Thermometers include the same level of quality that the industry
 associates with the Vari-angle trademark and all Weiss Products.

*Patent No. 5,196,781 ©Vari-angle is a registered trademark of Weiss Instruments, Inc.

SPECIFICATIONS

CASE	Hi-impact ABS
RANGE with F/C Switch	-50/300°F -45/150°C
DISPLAY	1/2" LCD digits, wide ambient formula
ACCURACY	1% of reading or 1° whichever is greater
RESOLUTION	1/10° between -19.9/199.9°F (-28/93°C)
RECALIBRATION	Through case potentiometer adjustment
LUX RATING	10 Lux (one foot-candle)
UPDATE	10 seconds
AMBIENT OPERATING	-30/140°F (-35/60°C)
AMBIENT TEMP ERROR	Zero
HUMIDITY	100%
SENSOR	Glass passivated thermistor - NTC

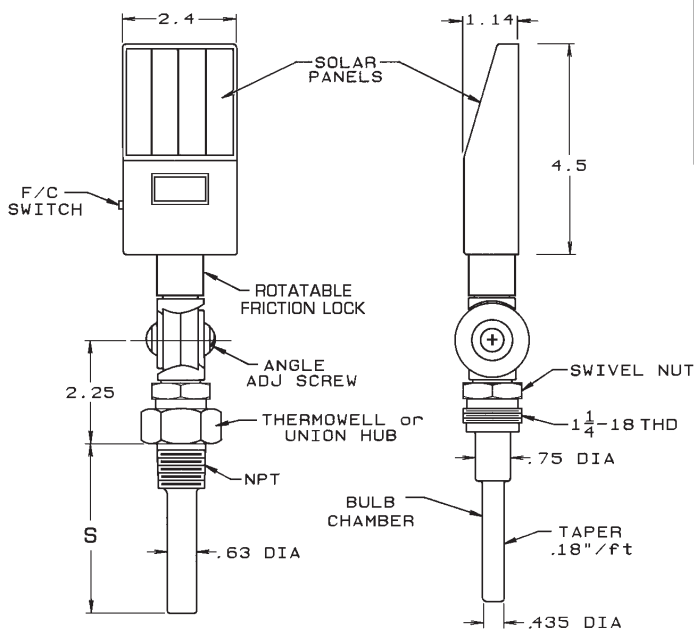
STEM ASSEMBLIES	INDUSTRIAL GLASS	BIMETALLIC
	Full conformance with Fed Spec GG-T-321D. Fully interchangeable with Industrial Glass Thermometers.	Full conformance with ASME B40.3 - 1990. Fully interchangeable with Bimetallic Dial Thermometers.



BIMETAL DIAL THERMOMETER STEM ASSEMBLY

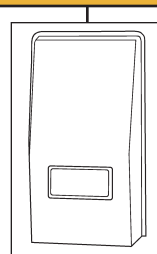
CATALOG NO.	S Dim.	IDN
DVBM25	2 1/2"	62120
DVBM4	4"	62130
DVBM6	6"	62140
DVBM9	9"	62150

Sockets available - see Catalog BM-4/04

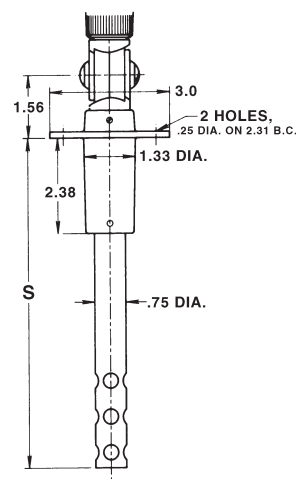


INDUSTRIAL GLASS THERMOMETER STEM ASSEMBLY

CATALOG NO. Without Socket	STEM	S Dim.	IDN
DVU35	3 1/2"	3 1/2"	62100
DVU6	6"	5"	62110



CATALOG NO.	DESCRIPTION	IDN
DVC-4	Outdoor Waterproof Cover (4 pcs per pack)	62410



AIR DUCT STEM ASSEMBLY

CATALOG NO.	S Dim.	IDN
DVD35	3 1/2"	62300
DVD6	6"	62310
DVD9	9"	62320
DVD12	12"	62330

Vari-angle® Self-indicating Temperature Transmitter

Introducing the first "self-indicating" temperature transmitter that is light powered. Combining Weiss's patented mercury-free Solar Industrial Thermometer with a loop-powered 4 to 20mA transmitter results in a single unit that allows local reading and remote transmitting for HVAC systems, building automation or anywhere local and remote readings are required. Dual sensors offer independent operation for reliability and convenience. The DVUT requires one thermowell which saves time and money without sacrificing performance.



CASE	Hi-impact ABS
RANGE with F/C Switch	-50/300°F (-45/150°C)
DISPLAY	1/2" LCD digits, wide ambient formula
ACCURACY	1% of reading or 1° whichever is greater
RESOLUTION	1/10° between -19.9/199.9°F
RECALIBRATION	Through case potentiometer adjustment
LUX RATING	1 Lux (1 foot-candle)
UPDATE	10 seconds
AMBIENT OPERATING	-30/140°F (-35/60°C) & 100% HR
AMBIENT TEMP ERROR	Zero
HUMIDITY	100%
SENSOR	Thermistor based - NTC
STEM ASSEMBLIES	

INDUSTRIAL GLASS

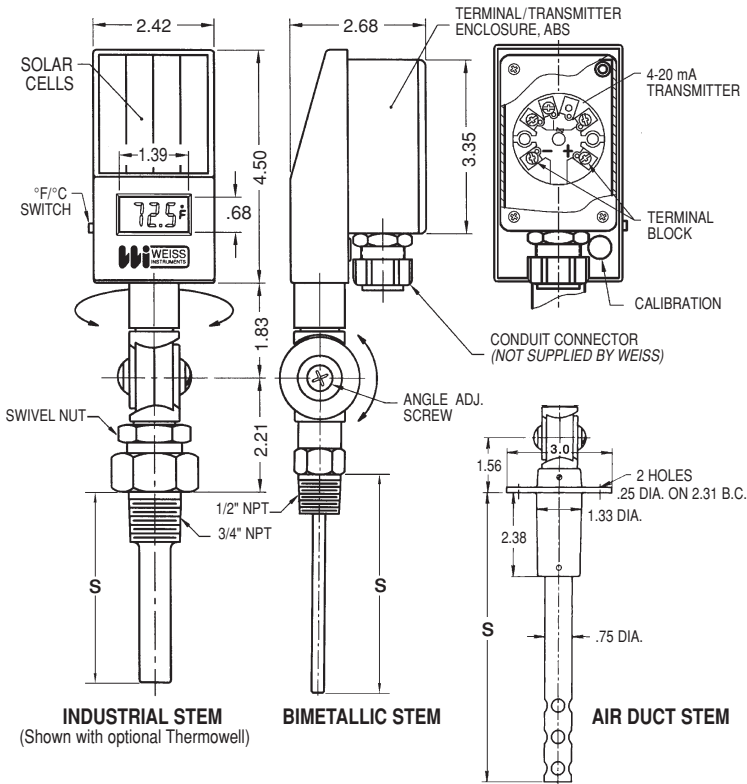
Full conformance with Fed Spec GG-T-321D. Fully interchangeable with Industrial Glass Thermometers

BIMETALLIC

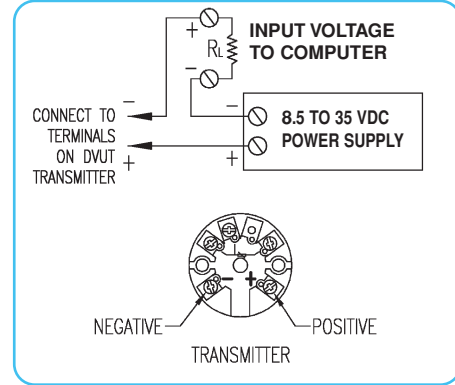
Full conformance with ASME B40.3 - 1990. Fully interchangeable with Bimetallic Dial Thermometers

TRANSMITTER

RANGE	-58/302°F (-50/150°C)
OUTPUT	4 to 20mA
OPERATING AMBIENT	-15/185°F (-25/85°C)
AMBIENT ERROR	.01% Span (°C)
SUPPLY	8 to 35VDC
MAX. LOAD RESISTANCE	775Ω with 24VDC Supply
ACCURACY	0.1% of Span
SENSOR	Platinum 100ΩRTD



Compatible with most Building Automation Systems with 4-20mA input.



For $R_L = 250\Omega$

V (VOLT)	I (mA)	°F	°C
1	4	-58	-50
5	20	+302	+150

INDUSTRIAL GLASS THERMOMETER STEM ASSEMBLY			
CATALOG NO.	STEM	S Dim.	IDN
DVUT35	31/2"	31/2"	62400
DVUT6	6"	5"	62401
BIMETAL DIAL THERMOMETER STEM ASSEMBLY			
CATALOG NO.	S Dim.	IDN	
DVBMT25	21/2"	62402	
DVBMT4	4"	62403	
DVBMT6	6"	62404	
AIR DUCT STEM ASSEMBLY			
CATALOG NO.	S Dim.	IDN	
DVDT6	6"	62405	
DVDT9	9"	62406	
DVDT12	12"	62407	

WEISS INSTRUMENTS, INC.
 905 WAVERLY AVE., HOLTSVILLE, NY 11742
 TEL: 631-207-1200 • FAX: 631.207.0900
www.weissinstruments.com

Distributed by



WEISS INSTRUMENTS

HVAC
Utility
Diaphragm

General Service Gauges

UL NSF 372/61

Lead Free Pressure Gauges

Accessories for Potable Water



HVAC Gauges-Series 4CTN-1 Series 4CTS-1

Rometec srl - www.rometec.it - info@rometec.it - Rometec srl - www.rometec.it - info@rometec.it



The Weiss HVAC Gauges meets the specifications of contractors in heating, plumbing, air conditioning and ventilating applications.

This Series of gauges are intended for general service conditions, for pressure or vacuum on air, oil, water, gas or other mediums that do not attack brass.

Steam Service Gauges should be protected from excessive temperature by the installation of a coil type syphon.

(Cat.No. SY14-S iron or SY14-B brass)

SPECIFICATIONS

CASE - Black die cast aluminum, blow out disc standard.

RING - Bayonet Black Aluminum.

WINDOW - Glass window.

TUBE & SOCKET - Phosphor bronze. <0.25% Lead Free Brass.

SOLDER CONNECTION - Lead Free.

CONNECTION - 1/4" NPT Lower.

DIAL - 4 1/2" white coated metal lithographed with black graduations lines and numerals.

POINTER - Slotted adjustable.

MOVEMENT - All brass construction, precision gear and pinion.

ACCURACY ±1% of span- ANSI-ASME B40.1 Grade 1A.

CERTIFICATION - UL in accordance with NSF/ANSI 372/61

For use with Potable Water

OPTIONAL FEATURES - Acrylic window – Red set hand

OPERATING TEMPERATURE

Ambient: -40°F to 140°F (-40°C to 60°C)

Media: 180°F (85°C) maximum

SPECIFICATIONS

CASE & WINDOW-Drawn stainless steel, with push-in Lexan window.

TUBE & SOCKET - Phosphor bronze. <0.25% Lead Free Brass. Lead Free soldered connection.

DIAL - 4 1/2" white coated metal lithographed with black graduations lines and numerals.

MOVEMENT-All brass construction, precision gear and pinion.

POINTER- Slotted adjustable.

ACCURACY ±1% ANSI-ASME B40.1 Grade 1A.

CONNECTION - 1/4" NPT Lower.

CERTIFICATION - UL in accordance with NSF/ANSI 372/61

For use with Potable Water

OPTIONAL FEATURE - Red set hand

OPERATING TEMPERATURE

Ambient: -40°F to 140°F (-40°C to 60°C)

Media: 180°F (85°C) maximum

Series 4CTA-1



SPECIFICATIONS

CASE & WINDOW-Drawn stainless steel back flange with push-in Lexan window.

TUBE & SOCKET - Phosphor bronze. <0.25% Lead Free Brass. Lead Free soldered connection.

DIAL - 4 1/2" white coated metal lithographed with black graduations lines and numerals.

MOVEMENT-All brass construction, precision gear and pinion.

POINTER- Slotted adjustable.

ACCURACY ±1% ANSI-ASME B40.1 Grade 1A.

CONNECTION - 1/4" NPT Lower.

CERTIFICATION - UL in accordance with NSF/ANSI 372/61

For use with Potable Water

OPTIONAL FEATURE - Red set hand

OPERATING TEMPERATURE

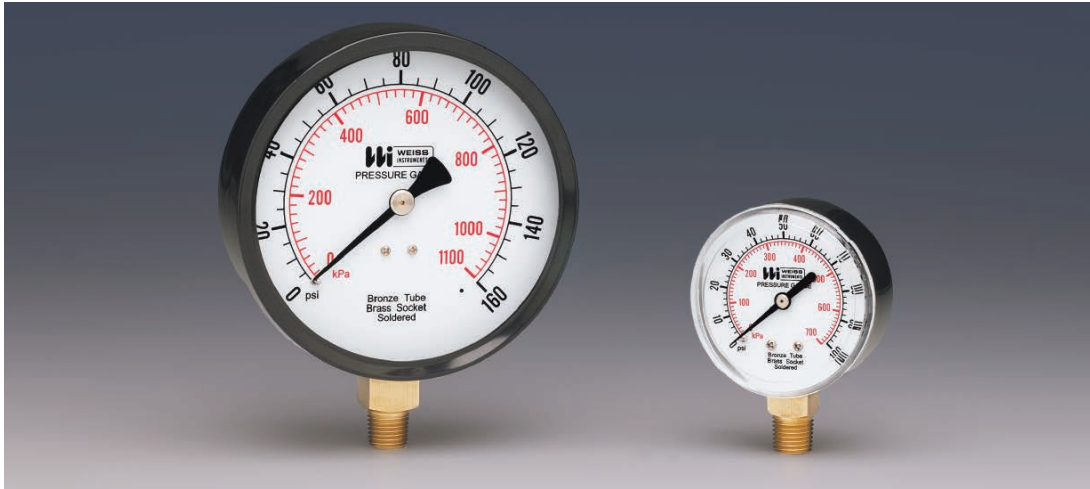
Ambient: -40°F to 140°F (-40°C to 60°C)

Media: 180°F (85°C) maximum

Rometec srl - www.rometec.it - info@rometec.it - Rometec srl - www.rometec.it - info@rometec.it

Utility Gauges - Series TL

Rometec srl - www.rometec.it - info@rometec.it - Rometec srl - www.rometec.it - info@rometec.it



The Weiss Series TL Gauges are intended for general service conditions, for pressure or vacuum on air, oil, water, gas or other mediums that do not attack brass.

Steam Service Gauges should be protected from excessive temperature by the installation of a coil type syphon. (Cat.No. SY14-S iron or SY14-B brass)

SPECIFICATIONS

TUBE & SOCKET - Bronze, soft soldered to socket and tip. Brass socket.

CASE & WINDOW - Drawn steel case, finished in black with push-in polycarbonate window.

DIAL - White coated metal lithographed with black and red graduations lines and numerals, dual scale - psi & kPa.

MOVEMENT - All brass construction, precision gear and pinion, mounted on socket independent of case.

POINTER - Balanced design, aluminum in black finish.

ACCURACY 2% of the middle third of the entire range. ANSI-ASME B40.1 Grade B.

LOWER CONNECTION		
DIAL SIZE	CAT. NO.	NPT CONNECTION
1 1/2"	TL15	1/8"
2"	TL20	1/8" or 1/4"
2 1/2"	TL25	1/4"
4"	TL40	1/4"

CENTER BACK CONNECTION		
DIAL SIZE	CAT. NO.	NPT CONNECTION
1 1/2"	TL15	1/8"
2"	TL20	1/8" or 1/4"
2 1/2"	TL25	1/4"

PRESSURE (psi)

Range	Figure interval	Minor graduation
0-15	1	0.5
0-30	5	0.5
0-60	5	1.0
0-100	10	2.0
0-160	20	5.0
0-200	20	5.0
0-300	30	10.0
0-400♦	50	10.0
0-600♦	50	10.0

COMPOUND Figure interval Minor graduation

Range	Figure interval		Minor graduation	
	in Hg	psi	in Hg	psi
30"Hg-15psi♦	5	3	1	0.5
30"Hg-30psi♦	10	5	2	1
30"Hg-60psi♦	10	10	2	2
30"Hg-100psi♦	30	20	5	2

VACUUM

Range	Figure interval	Minor graduation
0-30"Hg	5"Hg	0.5"Hg

♦ Ranges not available on Catalog No. TL15.

Rometec srl - www.rometec.it - info@rometec.it - Rometec srl - www.rometec.it - info@rometec.it

Diaphragm Gauges - Series DG25

Rometec srl - www.rometec.it - info@rometec.it - Rometec srl - www.rometec.it - info@rometec.it



U-Clamp available for panel mount applications.

The Weiss Series DG Gauges are used where accuracy is required in the measurement of pressures below 10 psi. This line of diaphragm gauges offers an instrument highly sensitive yet durably constructed. Utilizing a thin walled copper-alloy, the diaphragm senses slight pressure or vacuum and expands or contracts. The action of the element is quickly and accurately indicated within 1.5% of full scale range.

The Weiss Diaphragm Gauge is an excellent choice for a wide variety of applications where the standard bourdon tube gauge cannot perform reliably. Some of the uses are filter monitoring, leak testers and LP gas.

SPECIFICATIONS

CASE - Black drawn steel with twist lock polycarbonate window.

DIAPHRAGM - Copper alloy.

SOCKET - Brass, 1/4" NPT lower or center back connection.

MOVEMENT - Brass.

DIAL - 2 1/2" white coated metal lithographed with black graduations lines and numerals.

POINTER - Balanced design, aluminum in black finish. **ACCURACY** - 1.5% of full scale range.

TO SPECIFY			
SERIES	RANGE TYPE	RANGE CODE	MOUNT LOCATION
DG25	P Pressure V Vacuum O Ounce Pressure C Combination Pressure		4L 1/4" Lower 4B 1/4" Back
Ex: DG25C - 035 - 4L			

PRESSURE				COMBINATION		INNER SCALE		OUTER SCALE		CODE
RANGE	GRADUATIONS	FIG. INTERVAL	CODE	IN. WATER OUTER SCALE	OZ. WATER INNER SCALE	GRADS	FIGURE INTERVAL	GRADS	FIGURE INTERVAL	
0-3psi*	0.05	0.5	003	0-35	0-20	0.5	5.0	0.5	5.0	035
0-5 psi	0.1	1.0	005	0-15	0-9	0.2	1.0	0.2	3.0	015
0-10 psi	0.1	1.0	010	0-60	0-35	1.0	5.0	1.0	10.0	060
inch/water										
0-15	0.2	3.0	015							
0-30	0.5	5.0	030							
0-60	1.0	10.0	060							
0-100	1.0	10.0	100							
				VACUUM - in water vac.						
oz.-sq. in.				RANGE	GRADUATIONS	FIG. INTERVAL		CODE		
0-15*	0.2	3.0	015	30-0	0.5	5.0		030		
0-30	1.0	5.0	030	60-0	1.0	10.0		060		
0-100	1.0	10.0	100	100-0	1.0	10.0		100		
*Lower connection only.										

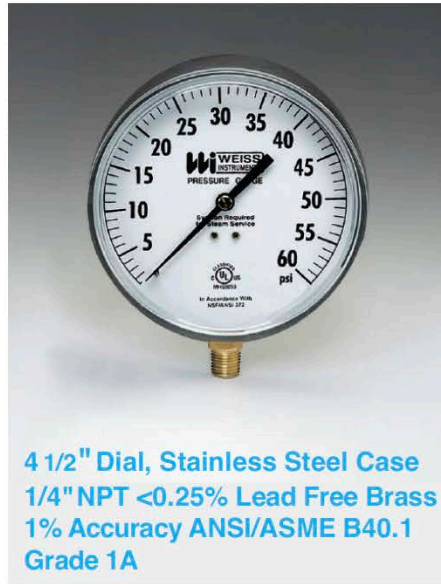
Rometec srl - www.rometec.it - info@rometec.it - Rometec srl - www.rometec.it - info@rometec.it

Series 4CTN-1



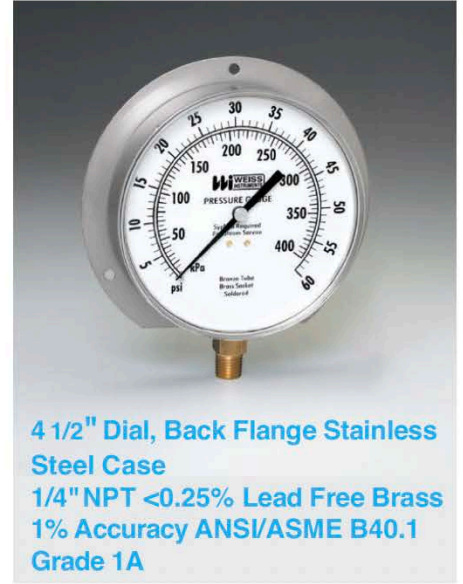
4 1/2" Dial, Black Aluminum Case
 1/4" NPT <0.25% Lead Free Brass
 1% Accuracy ANSI/ASME B40.1
 Grade 1A

4CTS-1



4 1/2" Dial, Stainless Steel Case
 1/4" NPT <0.25% Lead Free Brass
 1% Accuracy ANSI/ASME B40.1
 Grade 1A

4CTA-1



4 1/2" Dial, Back Flange Stainless
 Steel Case
 1/4" NPT <0.25% Lead Free Brass
 1% Accuracy ANSI/ASME B40.1
 Grade 1A

**SINGLE, DUAL METRIC & ALTITUDE DIALS
 FOR 4CTS-1, 4CTN-1, 4CTA-1**

- PSI
- PSI & kPa
- PSI & Bar
- PSI & Kg/cm²
- PSI & FT H₂O (15 to 300 psi)

SINGLE SCALE DIALS FOR 25CTS-1

- PSI (30 to 300 psi)

25CTS-1



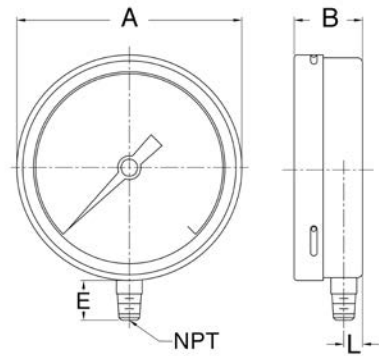
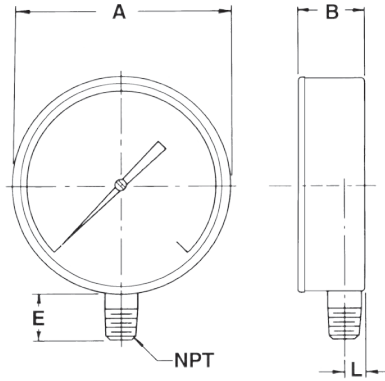
2 1/2" Dial, Black Steel Case
 1/4" NPT <0.25% Lead Free Brass
 2% Accuracy ANSI/ASME B40.1
 Grade B

Standard Ranges

PRESSURE (psi) - Series 4CTA-1, 4CTN-1, 4CTS-1			COMPOUND				
Range	Figure interval	Minor graduation	Range	Figure interval	Minor graduation		
0-15	1	0.2	30"Hg - 15psi 30"Hg - 30psi 30"Hg - 60psi 30"Hg-100psi 30"Hg-150psi 30"Hg-200psi 30"Hg-300psi	in Hg	psi	in Hg	psi
0-30	5	0.5				1	0.5
0-60	5	1.0		2	1		
0-100	10	1.0		2	2		
0-160	20	2.0		5	2		
0-200	20	2.0		5	5		
0-300	50	5.0		10	5		
0-400	50	5.0		10	5		
0-600	50	10.0					
			VACUUM				
			Range	Figure interval	Minor graduation		
			0-30"Hg	5"Hg	0.5"Hg		

Series 4CTS-1

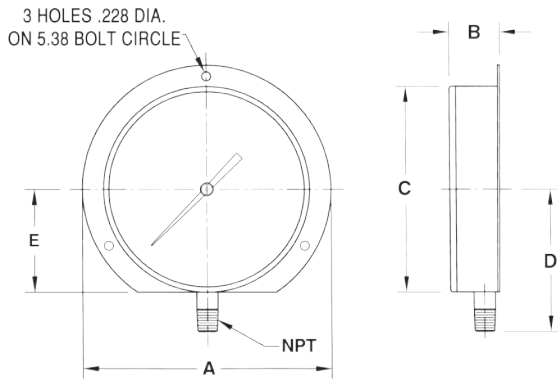
Series 4CTN-1



SERIES		A	B	E	L	NPT
4CTS	INCH	4.67	1.17	.87	.39	1/4"
	MM	118.6	29.7	22.1	9.9	

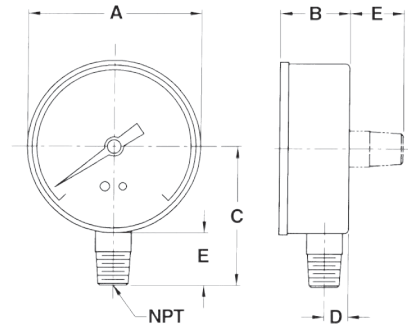
SERIES		A	B	E	L	NPT
4CTN	INCH	4.80	1.46	.85	.40	1/4"
	MM	122.9	37.1	21.6	10.2	

Series 4CTA-1



SERIES		A	B	C	D	E	NPT
4CTA	INCH	5.81	1.37	4.75	3.37	2.37	1/4"
	MM	147.5	34.9	120.6	85.7	60.3	

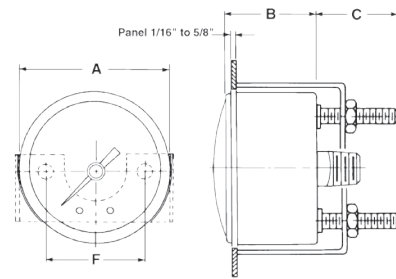
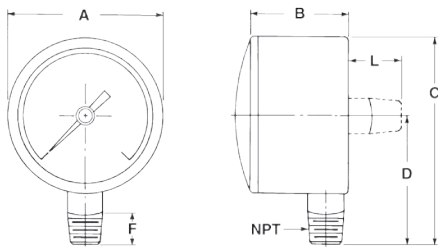
Series TL



LOWER AND CENTER BACK CONNECTION

DIAL SIZE		A	B	C	D	E	NPT
1 1/2"	(IN.)	1.58	1.08	1.40	.34	.70	1/8"
2"		1.93	1.10	1.75	.40	.78	1/8 or 1/4"
2 1/2"		2.44	1.18	2.08	.40	.90	1/8 or 1/4"
4"		3.90	1.26	2.80	.40	—	1/4"

Series DG25



LOWER AND CENTER BACK CONNECTION

SERIES		A	B	C	D	F	L	NPT
DG25	INCH	2.64	1.83	2.62	55.8	.5	.88	1/4"
	MM	67	46.5	66.5	2.2	12.7	22.3	

U CLAMP MOUNT - CENTER BACK CONNECTION

SERIES		A	B	C	F	Panel Hole	NPT
DG25	INCH	2.64	1.83	1.00	2.00	2.65	1/4"
	MM	67	46.5	25.4	50.8	67.3	



WEISS INSTRUMENTS, LLC.
905 WAVERLY AVE., HOLTSTVILLE, NEW YORK 11742
TEL: 631-207-1200 • FAX: 631.207.0900
www.weissinstruments.com

Distributed by:



WEISS INSTRUMENTS

Thermometers

Pressure Gauges

HVAC/R Instruments



Where customers prefer LED, Weiss offers our 2" retrofit unit, the 20DT. Now with 120Vac direct power (no transformer needed) and 1/2" high intensity red readout. All the digital thermometers are NSF listed. Both units feature a 9V DC battery back-up circuit that will display the temperature during a power outage (up to 36 hours).



20DT-F

Series DT - LED					
NSF Model	Cat. No.	Case	Range ¹	Sensor Length ³	IDN
DT	20DT-F	Front Flange	40/0/230°F	05ft	60520
DT	20DT-U	U-Clamp	40/0/230°F	05ft	60530
DT	24DT* ²	Back Mount	40/0/230°F	05ft.	60570

NOTES: 1. Equivalent °C available, consult Factory.
 2. Features °F/°C switch. 3. Longer line lengths available.
 Consult the Factory for 12V, 230V and Battery Back-up Kit.



24DT

LCD REMOTE READING DIGITAL THERMOMETERS



56SD-160

72SD-F

25SD-160

20SD-FS

20SD-HL

Weiss Instruments is the leader in Solar Powered technology* as we now offer seven different versions of our Digital thermometers. Available in low light version 56SD, (15 Lux) 25SD, 72SD, (30 Lux) and Series 20SD (75 Lux). These "self powered" thermometers operate without any batteries and offer an attractive and modern update to existing refrigeration equipment. Each thermometer has adjustable calibration, a ten second update time and wide ambient temperature specifications for both indoor and outdoor installations.

*Patent No. 5,196,781

Series SD - LCD					
NSF Model	Cat. No.	Case	Range ¹	Sensor Length ²	IDN
SD	20SD-BS	Back Flange	40/0/160°F	05ft	60110
SD	20SD-HL	Hanging	40/0/160°F	05ft	60160
SD	20SD-FS	Front Flange	40/0/160°F	05ft	60100
SD	25SD-160	Horiz. Wall Mount ³	40/0/160°F	05ft	60170
SD	56SD-160	Front Flange	50/0/160°F	05ft	60120
SD	72SD-F-160	Front Flange	40/0/160°F	05ft	60140
SD	72SD-U-160	U-Clamp	40/0/160°F	05ft	60150
Economy Battery Type Panel Meter					IDN
LC58	Panel Mount with clips		40/0/230°F	04ft	60205



LC58

2. Longer line lengths available. 3. Offered in black or white case.

GENERAL PURPOSE THERMOMETERS



PLC120

PT220

DP300

DP300A

The instruments illustrated here are general purpose type. The group consists of bimetal dial, glass pocket clip, wall mounting, vertical and hanging bracket, indoor/outdoor and commercial 1/2" NPT bimetal for use in air ducts.

TYPE	CAT. NO.	RANGE	IDN
DIAL THERMOMETERS			
POCKET DIAL	PT125	25-125F	30110
POCKET DIAL	PT180	40-0-180F	30120
POCKET DIAL	PT220	0-220F	30130
HANGING or STANDING	25HBM	20-0-80F&C	39130
GLASS THERMOMETERS			
POCKET GLASS	PLC120	30-0-120F	39010
POCKET GLASS	PLC220	0-220F	39030
VERTICAL HANGING	HB120	40-0-120F&C	39110
HORIZONTAL HANGING	HZ80	40-0-80F&C	39120
DIGITAL THERMOMETERS			
POCKET DIGITAL/AUTO OFF	DP300	58-0-302F&C	39140
POCKET DIGITAL/WATERPROOF	DP300A	58-0-302F&C	39145
DRUM THERMOMETERS			
REMOTE MOUNTING	DR58	40-0-60F&C	42391

REFRIG / FREEZER THERMOMETERS



T200

Z5HBM

HB120

DR58



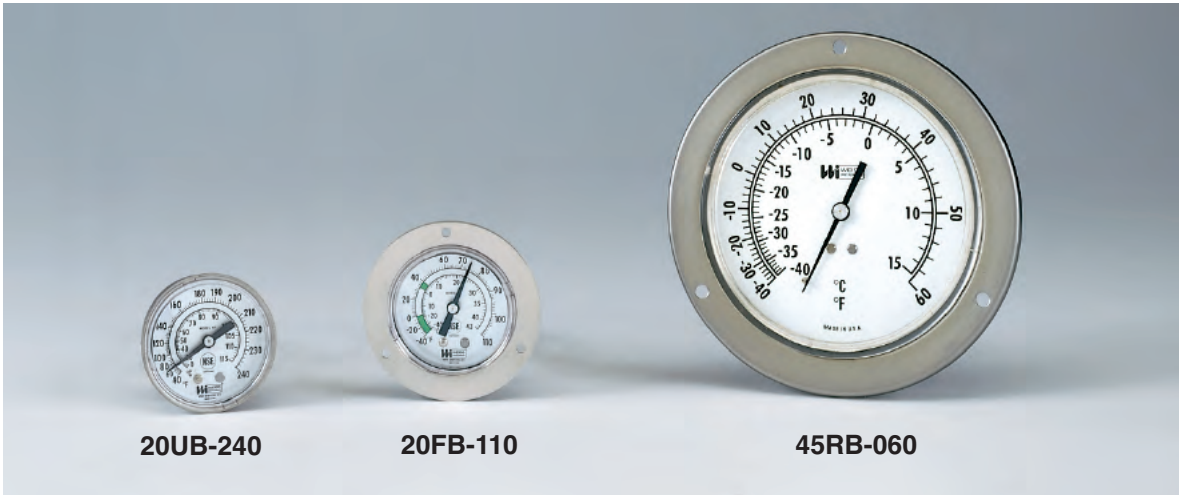
The Weiss Line of Remote Reading Dial Thermometers offers a wide variety of dial sizes and case configurations to match any installation. All items are furnished in attractive stainless steel cases and all models are NSF listed. Additional features include smart color zoned dual scales and tin plated thermal systems.

2" DIAL SIZE

SERIES FB - FRONT FLANGE BACK CONNECT					SERIES HL - HANGING BRACKET LOWER CONNECT				
NSF MOD.	CAT. NO.	RANGE	CAPILLARY	IDN	NSF MOD.	CAT. NO.	RANGE	CAPILLARY	IDN
RF	21FB-060	40-0-60 F&C	48"	40110	RH	21HL-060	40-0-60 F&C	48"	40170
RF	21FB-960	40-0-60 F&C	9"	40115	HF	21HL-240	40-240 F&C	48"	40180
RF	21FB-260	40-0-60 F&C	20 FT	40120					
RF	20FB-110	40-0-110 F&C	48"	40130					
HF	20FB-240	40-240 F&C	48"	40140					
SERIES FL - FRONT FLANGE LOWER CONNECT									
NSF MOD.	CAT. NO.	RANGE	CAPILLARY	IDN					
HF	20FL-240	40-240 F&C	48"	40160					
SERIES BB - BACK FLANGE BACK CONNECT					SERIES UB - U CLAMP BACK CONNECT				
NSF MOD.	CAT. NO.	RANGE	CAPILLARY	IDN	NSF MOD.	CAT. NO.	RANGE	CAPILLARY	IDN
RF	20BB-060	40-0-60 F&C	48"	40220	RU	21UB-060	40-0-60 F&C	48"	40190
RF	20BB-110	40-0-110 F&C	48"	40230	W	20UB-220	100-220 F&C	48"	40210
HF	20BB-240	40-240 F&C	48"	40240	HU	20UB-240	40-240 F&C	48"	40200

2 1/2" DIAL SIZE

SERIES FB - FRONT FLANGE BACK CONNECT					SERIES HL - HANGING BRACKET LOWER CONNECT				
NSF MOD.	CAT. NO.	RANGE	CAPILLARY	IDN	NSF MOD.	CAT. NO.	RANGE	CAPILLARY	IDN
RF	25FB-060	40-0-60 F&C	48"	40250	RH	25HL-060	40-0-60 F&C	48"	40280
RF	25FB-110	40-0-110 F&C	48"	40260					
HF	25FB-240	40-240 F&C	48"	40270					
SERIES BB - BACK FLANGE BACK CONNECT					SERIES PB - PLAIN W/LOCK NUT BACK CONNECT				
NSF MOD.	CAT. NO.	RANGE	CAPILLARY	IDN	NSF MOD.	CAT. NO.	RANGE	CAPILLARY	IDN
RF	25BB-110	40-0-110 F&C	48"	40295	RU	25PB-060	40-0-60 F&C	48"	40290



20UB-240

20FB-110

45RB-060

4 1/2" DIAL SIZE

SERIES RB - FRONT FLANGE BACK CONNECT					SERIES BB - BACK FLANGE BACK CONNECT				
NSF MOD.	CAT. NO.	RANGE	CAPILLARY	IDN	NSF MOD.	CAT. NO.	RANGE	CAPILLARY	IDN
RF	45RB-060	40-0-60 F&C	48"	40310	RF	45BB-060	40-0-60 F&C	48"	40350
RF	45RB-260	40-0-60 F&C	20 FT	40320	RF	45BB-260	40-0-60 F&C	20 FT	40360
RF	45RB-110	40-0-110 F&C	48"	40330	RF	45BB-110	40-0-110 F&C	48"	40370
HF	45RB-240	40-240 F&C	48"	40340	HF	45BB-240	40-240 F&C	48"	40380

UNION CONNECTED DIAL THERMOMETERS



45BL-100

Offered in 3 1/2" and 4 1/2" dial sizes the Series BL is furnished with braided copper capillary and a 1/2" NPT brass union connection. Sensor bulb insertion is 2 5/8" below the mounting thread. Case configuration is stainless steel back flange type for wall or surface mounting, capillary outlet at case bottom.* The Series BL construction is well suited to applications such as hot and chilled pipeline systems, tanks, coolers and air ducts.

DIAL SIZE	CAT. NO.	RANGE	CAPILLARY	IDN
3 1/2"	35BL-060	40-0-60 F&C	5 FT	42070
3 1/2"	35BL-110	40-0-110 F&C	5 FT	42080
3 1/2"	35BL-100	20-0-100 F&C	5 FT	42090
3 1/2"	35BL-180	0-180 F&C	5 FT	42100
3 1/2"	35BL-240	40-240 F&C	5 FT	42110
4 1/2"	45BL-060	40-0-60 F&C	5 FT	42010
4 1/2"	45BL-110	40-0-110 F&C	5 FT	42020
4 1/2"	45BL-100	20-0-100 F&C	5 FT	42030
4 1/2"	45BL-180	0-180 F&C	5 FT	42040
4 1/2"	45BL-240	40-240 F&C	5 FT	42050

* Also available with back outlet, specify 35BB or 45BB.



The Weiss patented,* Digital Vari-angle® Thermometer maintains the strict requirements for thermometers in hydronic applications in that they're self-powered and within 1% accuracy. This reliable series of digital thermometers offers the added feature of stem assemblies for direct replacement of mercury-in-glass types where environmental concerns exist. Whether on new installations or replacements, our Vari-angle Digital Thermometers include the same level of quality that the industry associates with the Vari-angle trademark and all Weiss Products.

*Patent No. 5,196,781 ©Vari-angle is a registered trademark of Weiss Instruments, Inc.

SPECIFICATIONS	
CASE	Hi-impact ABS
RANGE with F/C Switch	-50/300°F -45/150°C
DISPLAY	1/2" LCD digits, wide ambient formula
ACCURACY	1% of reading or 1° whichever is greater
RESOLUTION	1/10° between -19.9/199.9°F (-28/93°C)
RECALIBRATION	Internal potentiometer
LUX RATING	10 Lux (one foot-candle)
UPDATE	10 seconds
AMBIENT OPERATING	-30/140°F (-35/60°C)
AMBIENT TEMP ERROR	Zero
HUMIDITY	100%
SENSOR	Glass passivated thermistor - NTC
STEM ASSEMBLIES	INDUSTRIAL GLASS Full conformance with Fed Spec GG-T-321D. Fully interchangeable with Industrial Glass Thermometers.
	BIMETALLIC Full conformance with ASME B40.3 - 1990. Fully interchangeable with Bimetallic Dial Thermometers.



CAT. NO.	DESCRIPTION	IDN
DVU35	3 1/2" Industrial Stem	62100
DVU6	6" Industrial Stem	62110
E35-75BS*	3/4" NPT 3 1/2" Socket	20300
ER6-75BS*	3/4" NPT 6" Socket	20500
EN6-75BS*	3/4" NPT 6" Ext. Socket	20501
DVBM25	2 1/2" x 1/2" NPT Stem	62120
DVBM4	4" x 1/2" NPT Stem	62130
DVBM6	6" x 1/2" NPT Stem	62140
DVD6	6" Stem w/ Duct Mtg. Flange	62310
DVD9	9" Stem w/ Duct Mtg. Flange	62320

*For use with DVU thermometers on new installations.

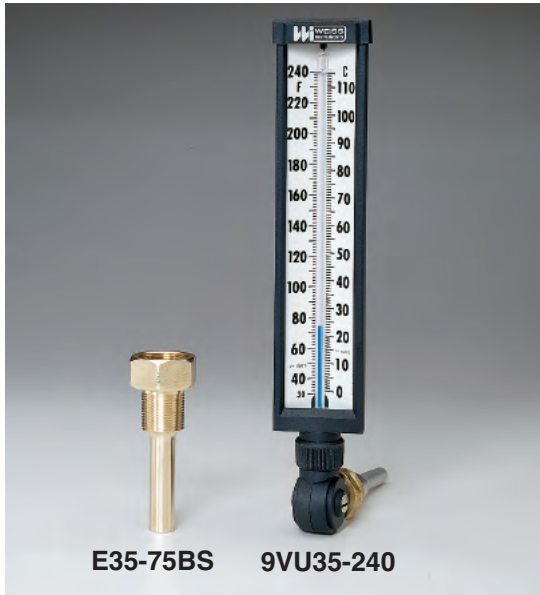
INFRA-RED THERMOMETERS



This Professional Grade Infra-red Thermometer is one of the most advanced units manufactured today. Using the remote dual point Infa-red Thermometer gets the job done quick, accurate and safe. It's easy to use and applicable for almost any temperature measurement, including HVAC balancing, motor temperatures, air conditioning and hot/chilled water pipe lines.

Cat. No.	Range (Switchable)	IDN
IR141	-58/986°F -50/530°C	60207

- 14:1 Ratio
- Dual Laser Pointer
- Pistol Grip Design
- Back Light
- ± 1% Accuracy
- °F/°C Selection



Weiss 9" Scale Vari-angle Thermometers are the industry standard for HVAC applications. Union connection stem is offered for pipe-line applications, for chilled and hot water installations with a 3 1/2" stem. Perforated 6" stem with a mounting flange is for air duct use. Blue Liquid is standard.

UNION CONN. STEM			SOCKETS		
CAT. NO.	RANGE	IDN	CAT. NO.	DESCRIPTION	IDN
9VU35-110	40-0-110F&C	20315	E35-75BS*	3/4"NPT 3 1/2" Socket	20300
9VU35-120	0-120F&C	20325	ER6-75BS*	3/4"NPT 6" Socket	20500
9VU35-160	0-160F&C	20335	EN6-75BS*	3/4"NPT 6" Ext.Socket	20501
9VU35-180	30-180F&C	20345	AIR DUCT STEM		
9VU35-240	30-240F&C	20355	CAT. NO.	RANGE	IDN
9VU35-300	30-300F&C	20365	9VD6-120	0-120F&C	20420
9VU6-110	40-0-110F&C	20510	9VD6-160	0-160F&C	20430
9VU6-120	0-120F&C	20520	9VD6-180	0-180F&C	20440
9VU6-160	0-160F&C	20530			
9VU6-180	30-180F&C	20540			
9VU6-240	30-240F&C	20550			

*For use with 9VU thermometers on new installations.

TRADE LINE THERMOMETERS



Weiss TL Thermometers are intended for small pipeline applications for chilled and hot water installations. The compact design is also suitable to limited space requirements. Units are furnished with 5" scale and 2" stem including a 1/2" NPT separable socket.

STRAIGHT FORM TYPE			ANGLE FORM TYPE		
CAT. NO.	RANGE	IDN	CAT. NO.	RANGE	IDN
TL5S2-110	-40-0-110F&C	20213	TL5A2-110	-40-0-110F&C	20215
TL5S2-120	20-120F&C	20203	TL5A2-120	20-120F&C	20205
TL5S2-180	20-180F&C	20223	TL5A2-180	20-180F&C	20225
TL5S2-240	30-240F&C	20204	TL5A2-240	30-240F&C	20206
TL5S2-300	30-300F&C	20214	TL5A2-300	30-300F&C	20226



These gauges are designed for the pressure measurement of refrigeration systems. Most dials are furnished with corresponding temperature scales for the various refrigerants shown below. Standard connections are 1/8" NPT bottom and back for manifold gauges and 1/4" NPT for all other versions.

TYPE	CAT. NO.	RANGE	REFRIG.SCALE	CASE	ACCURACY	NPT	IDN
Dry 2 1/2" Dial Manifold	RG25-120-8L	30-0-120 PSI	R12, R22, R502	STAINLESS STEEL	ANSI GRADE B	1/8"	83035
	RG25-500-8L	0-500 PSI	R12, R22, R502	RED/BLUE	2% MID SCALE		83045
Liquid Filled 2 1/2" Dial Manifold	LFM502H-8L	0-500PSI	R12, R22, R502	STAINLESS STEEL	ANSI GRADE B	1/8"	83020
	LFM502L-8L	30-0-120PSI	R12, R22, R502	RED/BLUE	2% MID SCALE		83010
	LFM507H-8L	0-500PSI	R134a,404A, 507	STAINLESS STEEL	ANSI GRADE B		83031
	LFM507L-8L	30-0-120PSI	R134a,404A, 507	RED/BLUE	2% MID SCALE	83032	
	LFM410H-8L	0-800PSI	R410A	STAINLESS STEEL	ANSI GRADE B	83033	83034
	LFM410L-8L	30-0-250PSI	R410A	RED/BLUE	2% MID SCALE	83034	
Liquid Filled 2 1/2" Dial Panel Mount	LFM502HF-8B	0-500PSI	R12, R22, R502	STAINLESS STEEL	ANSI GRADE B	1/8"	83027
	LFM502LF-8B	30-0-120PSI	R12, R22, R502	FRONT FLANGE	2% MID SCALE		83026
	LFM502HU-8B	0-500PSI	R12, R22, R502	STAINLESS STEEL	ANSI GRADE B	1/8"	83029
	LFM502LU-8B	30-0-120PSI	R12, R22, R502	U-CLAMP	ANSI GRADE B		83028
2 1/2" Dial Liquid Filled Stem Mount	LF251-030-4L	0-30 PSI	NOT FURNISHED	STAINLESS STEEL	ANSI GRADE B	1/4"	83051
	LF251-060-4L	0-60 PSI					83052
	LF251-100-4L	0-100 PSI					83053
	LF251-160-4L	0-160 PSI					83054
	LF251-200-4L	0-200 PSI					83055
	LF251-300-4L	0-300 PSI					83056
	LF251-600-4L	0-600 PSI					83057
2 1/2" Dial Liquid Filled Front Flange	LF251F-300-4B	0-300 PSI	NOT FURNISHED	STAINLESS STEEL	ANSI GRADE B	1/4"	84120
	LF251F-600-4B	0-600 PSI					84160
	LF251F-V150-4B	30-0-150 PSI					84210
	LF251F-V300-4B	30-0-300 PSI					84220
3 1/2" Dial Back Flange	RG35-V150-4L	30-0-150 PSI	R12, R22, R502	STAINLESS STEEL	ANSI GRADE A	1/4"	83030
	RG35-V300-4L	30-0-300 PSI	R12, R22, R502				83040
	RG35-0300-4L	0-300 PSI	R12, R22, R502				83050
	RG35-0500-4L	0-500 PSI	R12, R22, R502				83060
4 1/2" Dial Back Flange	4RGB1-V150-4L	30-0-150 PSI	R12, R22, R502	ALUMINUM	ANSI GRADE 1A	1/4"	83070
	4RGB1-V300-4L	30-0-300 PSI	R12, R22, R502				1% FULL SCALE

TEMP / PRESSURE TEST PLUGS

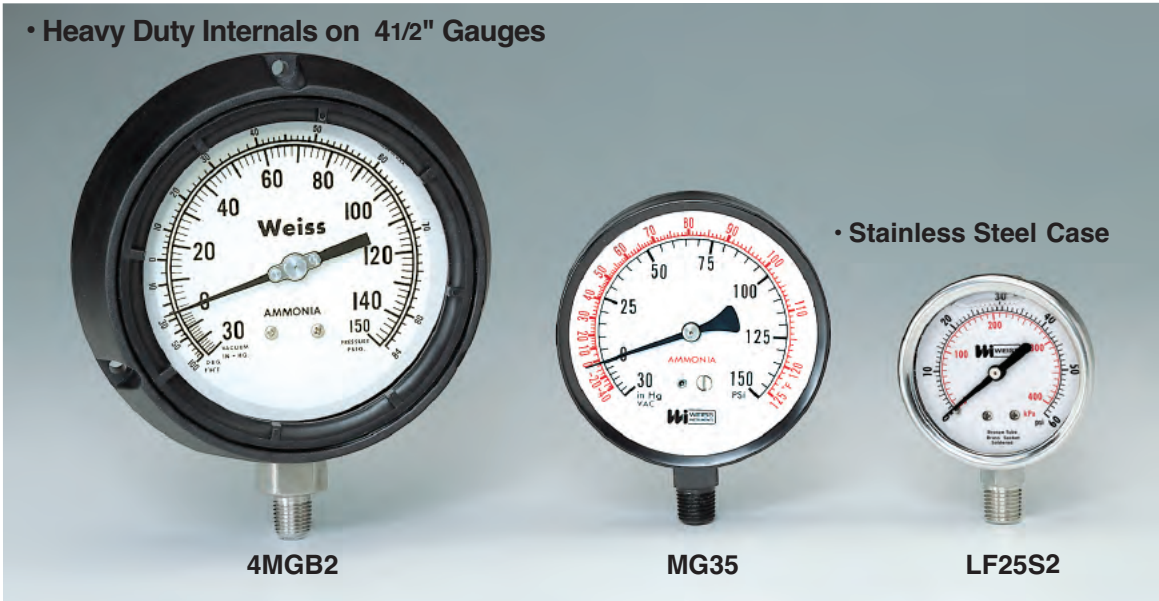
Weiss Temperature/Pressure Plugs allows for quick, efficient and accurate testing of hydronic pipe lines throughout HVAC systems. Offered in both nardel (blue cap) for hot and chilled water and neoprene (red cap) for natural gas. Weiss plugs are consistently rated at 1000 psi. The self-sealing core insures long life and continuous service.



CAT. NO.	DESCRIPTION	BODY & CAP	IDN
BP25-NR	1/4" NPT Nordel	Brass	90101
BP25-NP	1/4" NPT Neoprene	Brass	90102
BP50-NR	1/2" NPT Nordel	Brass	90103
BP25L-NR	1/4" NPT Nordel w/ 13/4" Lag	Brass	90105
BP25L-NP	1/4" NPT Neoprene w/ 13/4" Lag	Brass	90106

CAT. NO.	ACCESSORIES	IDN
TPK	Test Kit	90120
GA18	Gauge Adapter	90125
PT220	1" Dial Pocket Test 0/220°F	90130
TL25-030-4L	2 1/2" Gauge 0-30 psi	90131
TL25-160-4L	2 1/2" Gauge 0-160 psi	90134





These gauges are designed for the pressure measurement of any system or equipment charged with ammonia. Most dials are furnished with corresponding temperature scales. Black inner arc indicates pressure. Red outer arc indicates corresponding temperature. All gauges are equipped with restrictors to protect the gauges against pulsating pressure.

TYPE	CAT. NO.	RANGE	CASE	TUBE & SOCKET	ACCURACY	IDN
2 1/2" Dial Liquid Filled Stem Mount	LF25S2-V150-4L	30-0-150 PSI	STAINLESS STEEL	316 S.S.	ANSI GRADE B 2% MID SCALE	84610
	LF25S2-V300-4L	30-0-300 PSI				84620
2 1/2" Dial 3 1/2" Dial Stem Mount	MG25-V150-4L-PT	30-0-150 PSI	BLACK STEEL	316 S.S. TUBE STEEL SOCKET	ANSI GRADE B 2% MID SCALE	83110
	MG25-V300-4L-PT	30-0-300 PSI				83115
	MG35-V150-4L-PT	30-0-150 PSI				83120
	MG35-V300-4L-PT	30-0-300 PSI				83130
4 1/2" Dial Back Flange	4MGB2-V150-4L	30-0-150 PSI	ALUMINUM	316 S.S.	ANSI GRADE A 1% MID SCALE	83140
	4MGB2-V300-4L	30-0-300 PSI				83150

DIAPHRAGM GAUGES



The Weiss Series DG Gauges are used in the measurement of pressures below 10 psi. This line of diaphragm gauges offers an instrument highly sensitive yet durably constructed. Utilizing a thin walled copper-alloy, the diaphragm senses slight pressure or vacuum and expands or contracts. The action of the element is quickly and accurately indicated within 1.5% of full scale range. Some of the uses are filter monitoring, leak testers and LP gas.

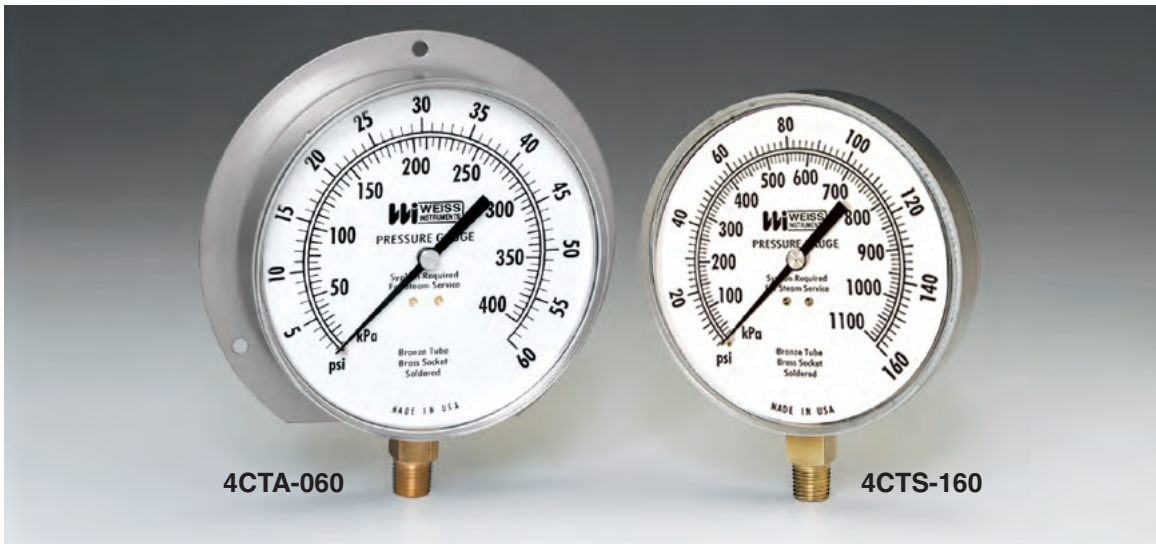
CASE-Black drawn steel, with twist lock polycarbonate window. DIAPHRAGM-Copper alloy.
 SOCKET-Brass, 1/4" NPT lower or center back connection. MOVEMENT-Brass.
 SIZE -2 1/2" DIAL-White coated metal lithographed with black graduations lines and numerals. POINTER-Balanced design, aluminum in black finish.

SERIES & TYPE	+ RANGE CODE			+ CONNECTION
	TYPE	CODE	RANGE	
DG25C Combination Pressure Dial	C	100	100"WP&60 oz/in	4L (1/4" NPT Lower)
DG25P Pressure Dial	C	145	35"WP&20 oz/in	4B (1/4" NPT Back)
DG25V Vacuum Dial	C	015	15"WP&9 oz/in	
	P	003	0-3 PSI	
	P	005	0-5 PSI	
	P	010	0-10 PSI	
	P	015	0-15 PSI	
	P	030	0-30" WP	
	P	060	0-60" WP	
	P	100	0-100" WP	
	V	030	30-0" WV	

PRESSURE	COMBINATION	
	IN. WATER OUTER SCALE	OZ. WATER INNER SCALE
Range		
0-3psi*		
0-5 psi	0-35	0-20
0-10 psi	0-15	0-9
inch / water	0-60	0-35
0-15		
0-30		
0-60		
0-100		
oz.-sq. in.	VACUUM - in water vac.	
0-10	RANGE	
0-15*	30-0	

Ex: DG25P-005-4L Pressure Dial 0-5 PSI, 1/4" NPT Lower Connection

* Lower Connection only



Weiss CTS/CTA Pressure Gauges are designed to meet the standard specifications for Heating, Cooling and Air Conditioning applications. Two types are offered for either stem or surface mounting. Both versions conform with ANSI B40.1 accuracy Grade 1A% full scale.

STAINLESS STEEL CASE STEM MOUNTED			STAINLESS STEEL CASE-BACK FLANGE SURFACE MOUNTED		
CAT. NO.	RANGE	IDN	CAT. NO.	RANGE	IDN
4CTS-015	0-15 PSI	82010	4CTA-015	0-15 PSI	82110
4CTS-030	0-30 PSI	82020	4CTA-030	0-30 PSI	82120
4CTS-060	0-60 PSI	82030	4CTA-060	0-60 PSI	82130
4CTS-100	0-100 PSI	82040	4CTA-100	0-100 PSI	82140
4CTS-160	0-160 PSI	82050	4CTA-160	0-160 PSI	82150
4CTS-200	0-200 PSI	82060	4CTA-200	0-200 PSI	82160
4CTS-300	0-300 PSI	82070	4CTA-300	0-300 PSI	82170
4CTS-VAC	0-30" HG VAC	82080	4CTA-VAC	0-30" HG VAC	82180
4CTS-V30	30-0-30 PSI	82090	4CTA-V30	30-0-30 PSI	82190
4CTS-V60	30-0-60 PSI	82100	4CTA-V60	30-0-60 PSI	82200

TRI-O-METERS

The Weiss Tri-o-meter is designed for use on all types of hot water heating systems. One instrument reads the water pressure, water temperature and system head in feet of H₂O. Available in 2 1/2" dial with 1/4" NPT rear connection and 3 1/2" dial with 1/2" NPT lower or rear connected.

Series C	0-75 psi & Ft. of H ₂ O	60-260F&C
H	0-200 psi & kPa	80-320F&C
CAT. NO.	DESCRIPTION	IDN
CTP25R	1/4" NPT Rear	28807
CTP25RX	1/4" NPT Rear x 2" Ext.	28808
CTP40RSX	1/2" NPT Rear	28810
CTP40L	1/2" NPT Lower	28811
HTP40RSX	1/2" NPT Rear	28812
HTP40L	1/2" NPT Lower	28813





Weiss TL Gauges are intended for general service conditions, for pressure or vacuum on air, oil, water, gas or other mediums that do not attack brass. TL Gauges are furnished in drawn steel cases, finished in black. The 1 1/2" dials are supplied with 1/8" NPT and 2" dial versions are available with 1/4" or 1/8" NPT connections. All other dial sizes are 1/4" NPT. All gauges conform with ANSIB40.1 accuracy Grade B-2% mid scale.

1 1/2" DIAL 1/8" NPT LOWER CONN.			1 1/2" DIAL 1/8" NPT BACK CONN.		
CAT. NO.	RANGE	IDN	CAT. NO.	RANGE	IDN
TL15-030-8L	0-30 PSI	80010	TL15-030-8B	0-30 PSI	80035
TL15-060-8L	0-60 PSI	80015	TL15-060-8B	0-60 PSI	80040
TL15-100-8L	0-100 PSI	80020	TL15-100-8B	0-100 PSI	80045
TL15-160-8L	0-160 PSI	80025	TL15-160-8B	0-160 PSI	80050
TL15-200-8L	0-200 PSI	80030	TL15-200-8B	0-200 PSI	80055
2" DIAL 1/4" NPT LOWER CONN.			2" DIAL 1/8" NPT LOWER CONN.		
CAT. NO.	RANGE	IDN	CAT. NO.	RANGE	IDN
TL20-015-4L	0-15 PSI	80101	TL20-030-8L	0-30 PSI	80116
TL20-030-4L	0-30 PSI	80102	TL20-060-8L	0-60 PSI	80117
TL20-060-4L	0-60 PSI	80103	TL20-100-8L	0-100 PSI	80118
TL20-100-4L	0-100 PSI	80104	TL20-160-8L	0-160 PSI	80119
TL20-160-4L	0-160 PSI	80105	TL20-200-8L	0-200 PSI	80120
TL20-200-4L	0-200 PSI	80106	TL20-300-8L	0-300 PSI	80121
TL20-300-4L	0-300 PSI	80107	TL20-300-8L	0-300 PSI	80121
TL20-VAC-4L	0-30" HG VAC	80108	TL20-VAC-8L	0-30" HG VAC	80122
TL20-V30-4L	30-0-30 PSI	80109	TL20-V150-8L	30-0-150 PSI	80112
TL20-V100-4L	30-0-100 PSI	80111			
2 1/2" DIAL 1/4" NPT LOWER CONN.			4" DIAL 1/4" NPT LOWER CONN.		
CAT. NO.	RANGE	IDN	CAT. NO.	RANGE	IDN
TL25-015-4L	0-15 PSI	80130	TL40-015-4L	0-15 PSI	80160
TL25-030-4L	0-30 PSI	80131	TL40-030-4L	0-30 PSI	80161
TL25-060-4L	0-60 PSI	80132	TL40-060-4L	0-60 PSI	80162
TL25-100-4L	0-100 PSI	80133	TL40-100-4L	0-100 PSI	80163
TL25-160-4L	0-160 PSI	80134	TL40-160-4L	0-160 PSI	80164
TL25-200-4L	0-200 PSI	80135	TL40-200-4L	0-200 PSI	80165
TL25-300-4L	0-300 PSI	80136	TL40-300-4L	0-300 PSI	80166
TL25-VAC-4L	0-30" HG VAC	80137	TL40-VAC-4L	0-30" HG VAC	80167
TL25-V30-4L	30-0-30 PSI	80138	TL40-V30-4L	30-0-30 PSI	80168
TL25-V60-4L	30-0-60 PSI	80139	TL40-V60-4L	30-0-60 PSI	80169
TL25-V100-4L	30-0-100 PSI	80140	TL40-V100-4L	30-0-100 PSI	80170
TL25-V150-4L	30-0-150 PSI	80141	TL40-V150-4L	30-0-150 PSI	80171

Throughout the 20th century, the Weiss name has been synonymous with quality and reliability in instrumentation.

Rometec srl - www.rometec.it - info@rometec.it - Rometec srl - www.rometec.it - info@rometec.it

Whether you require instruments for temperature or pressure monitoring, the Weiss line offers a full range of outstanding products from which to choose. Our commitment to quality extends well beyond the products we provide. Each day we strive to offer our customers responsive service and reliable deliveries, qualities so necessary in today's business climate. Weiss understands the trends of today's market and we look forward to proving our ability to react to the daily challenge.

Quality products, Responsive service, Reliable delivery . . . Your customers demand it, the Weiss HVAC/R program provides it.

The Weiss Corrugated Display is eye-catching and can be set-up in high traffic areas. The versatile display allows for easy placement of packages for a neat and uniform look to showcase the instruments.



The packaging allows a full view of the package contents and is suitable for counter standing display.



WEISS INSTRUMENTS, LLC.
905 WAVERLY AVE., HOLTSVILLE, NY 11742
TEL: 631- 207-1200 • FAX: 631.207.0900
www.weissinstruments.com

Distributed by



Rometec srl - www.rometec.it - info@rometec.it - Rometec srl - www.rometec.it - info@rometec.it

Sales Representatives in all Principal Cities • Since 1882

The Weiss 7" and 9" Vari-angle® is molded of GE Valox® polyester, 40% glass/mineral reinforced. This particular material has excellent strength, impact and stiffness properties which makes it perfect for the toughest applications. Some of the uses are process piping, tanks, pipelines in building construction, boilers and air ducts. The Vari-angle is a versatile thermometer that can be adjusted easily for optimum readability. Furnished in ranges up to and including 300°F.

© Vari-angle is a registered trademark of Weiss Instruments, Inc.

SPECIFICATIONS

CASE: Modern V-shape design with parts molded of GE Valox® polyester, in black textured finish. Heavy glass protected front firmly secured against rattles by spring action.

STEM: For 3 1/2" stems only and ranges up to and including 300°F, the stem material is a precision die cast Zamac alloy. For ranges above 300°F, bulb chamber is a precision machined aluminum alloy with copper plated steel stem extension. *For Separable Socket connections only.*

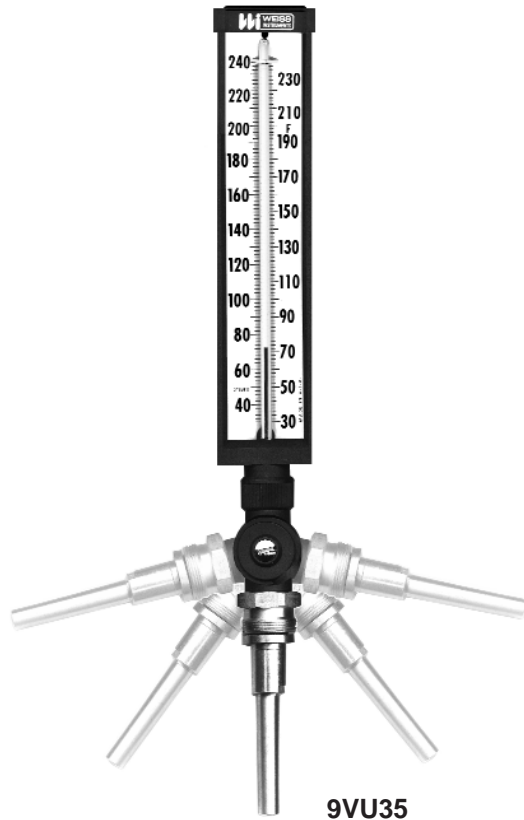
LOCKING DEVICE: Adjustable case locknut and angle adjusting screw work independently to provide a full 360° positioning of thermometer case and stem.

ADJUSTABLE JOINT: GE Valox finished to match case. Completely encloses capillary to prevent tampering and foreign matter from entering instrument.

TUBE & CAPILLARY: Blue liquid filled-magnifying lens "Blue Reading" tube. Precision made to guarantee accuracy within 1% of scale range. Silicone shock mounted for lasting durability.

SCALE: White coated aluminum with permanently baked bold black markings. Locked in place and adjusted through device at top of scale. There are no mounting screws to cover up scale markings.

© Valox is a registered trademark of the General Electric Co.



VARI-ANGLE INDUSTRIAL THERMOMETERS

7" SCALE	CAT NO.
3 1/2" STEM	7VU35
6" STEM	7VU6
9" STEM	7VU9
12" STEM	7VU12

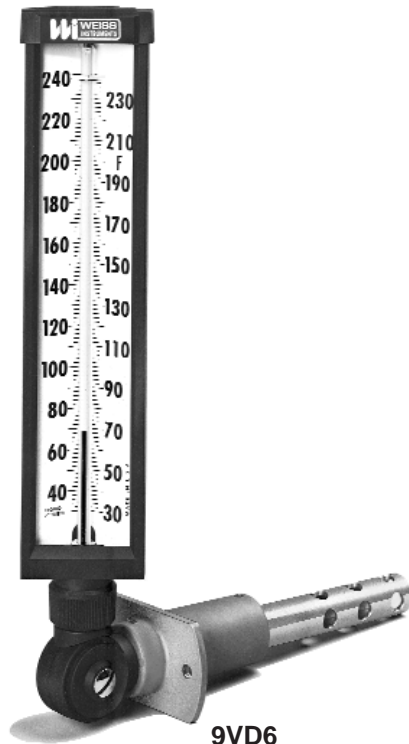
9" SCALE	CAT NO.
3 1/2" STEM	9VU35
6" STEM	9VU6
9" STEM	9VU9
12" STEM	9VU12

ADD RANGE CODE FROM RANGE TABLE LISTING. EX: 9VU35-240 (RANGE 30-240F)
 ABOVE CATALOG NUMBERS **DO NOT INCLUDE SOCKETS** - ORDER SEPARATELY FROM THERMOWELL TABLE LISTING.

VARI-ANGLE AIR DUCT THERMOMETERS

9" SCALE	CAT NO.
3 1/2" STEM	9VD35
6" STEM	9VD6
9" STEM	9VD9
12" STEM	9VD12

ADD RANGE CODE FROM RANGE TABLE LISTING. EX: 9VD6-180 (RANGE 30-180F)
 ABOVE CAT. NUMBERS INCLUDE A REVERSIBLE DUCT MOUNTING FLANGE.





CASE: Modern V-shape design, high pressure die cast aluminum, finished in black textured enamel. Heavy glass protected front firmly secured against rattles by spring action.

STEM: For 3 1/2" stems only and ranges up to and including 300°F, the stem material is a precision die cast Zamac alloy. For ranges above 300°F, bulb chamber is a precision machined aluminum alloy with copper plated steel stem extension. *For Separable Socket connections only.*

LOCKING DEVICE: Two adjusting screws provide a full 360° positioning of thermometer case and stem.

ADJUSTABLE JOINT: Die cast aluminum finished to match case. Completely encloses capillary to prevent tampering and foreign matter from entering instrument.

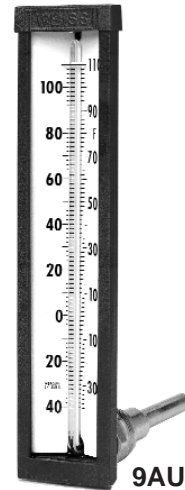
TUBE & CAPILLARY: Blue liquid filled-magnifying lens "Blue Reading" tube. Precision made to guarantee accuracy within 1% of scale range. Silicone shock mounted for lasting durability.

SCALE: White coated aluminum with permanently baked bold black markings. Locked in place and adjusted through device at top of scale. There are no mounting screws to cover up scale markings.

FEDERAL SPEC. Units are in full conformance with Federal Specification GG-T-321D.



A9VU35



9AU35



9SU35

ALUMINUM CASE VARI-ANGLE INDUSTRIAL THERMOMETERS

7" SCALE	CAT NO.
3 1/2" STEM	A7VU35
6" STEM	A7VU6
9" STEM	A7VU9
12" STEM	A7VU12

9" SCALE	CAT NO.
3 1/2" STEM	A9VU35
6" STEM	A9VU6
9" STEM	A9VU9
12" STEM	A9VU12

ADD RANGE CODE FROM RANGE TABLE LISTING. **EX: A9VU35-120 (RANGE 0-120F)**
 ABOVE CATALOG NUMBERS **DO NOT INCLUDE SOCKETS** - ORDER SEPARATELY FROM THERMOWELL TABLE LISTING.

ANGLE FORM INDUSTRIAL THERMOMETERS

7" SCALE	CAT NO.
3 1/2" STEM	7AU35
6" STEM	7AU6
9" STEM	7AU9
12" STEM	7AU12

9" SCALE	CAT NO.
3 1/2" STEM	9AU35
6" STEM	9AU6
9" STEM	9AU9
12" STEM	9AU12

ADD RANGE CODE FROM RANGE TABLE LISTING. **EX: 9AU35-120 (RANGE 0-120F)**
 ABOVE CATALOG NUMBERS **DO NOT INCLUDE SOCKETS** - ORDER SEPARATELY FROM THERMOWELL TABLE LISTING.

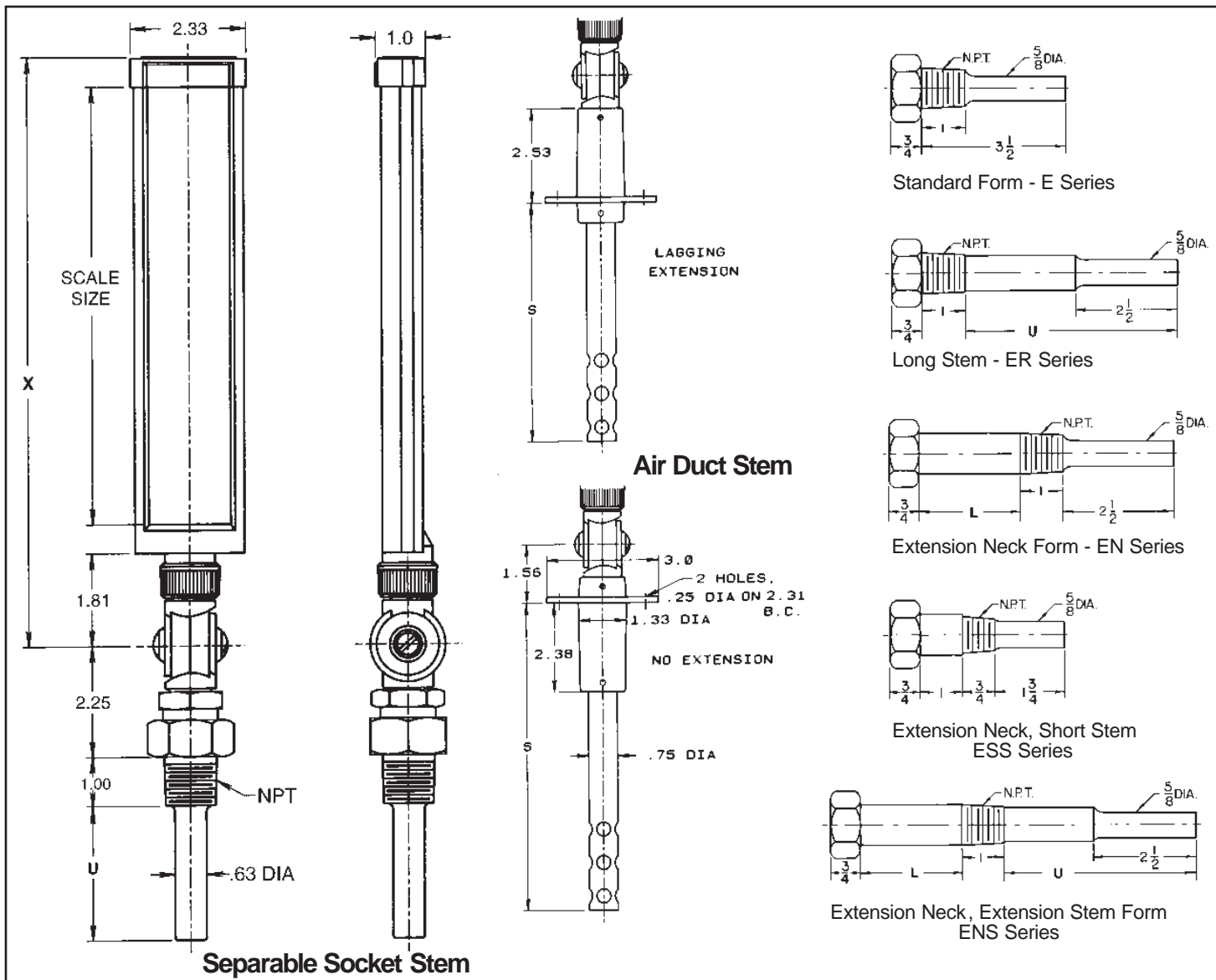
STRAIGHT FORM INDUSTRIAL THERMOMETERS

7" SCALE	CAT NO.
3 1/2" STEM	7SU35
6" STEM	7SU6
9" STEM	7SU9
12" STEM	7SU12

9" SCALE	CAT NO.
3 1/2" STEM	9SU35
6" STEM	9SU6
9" STEM	9SU9
12" STEM	9SU12

Rometec srl - www.rometec.it - info@rometec.it - Rometec srl - www.rometec.it - info@rometec.it
 ABOVE CATALOG NUMBERS **DO NOT INCLUDE SOCKETS** - ORDER SEPARATELY FROM THERMOWELL TABLE LISTING.

Separable sockets are used to provide pressure tight connections where required. They also offer the advantage of allowing a thermometer to be removed from a system without disturbance. The thermometer is inserted and tightened to the separable socket by means of a threaded swivel nut coupling. Quick response to temperature change is assured since the stem and socket are precision tapered, providing a metal to metal contact at the sensitive bulb section. To withstand severe corrosive conditions, sockets machined of special materials are available. Pipe threads on separable sockets can be located at different points on the stem. Thread location determines the insertion length and the length available for insulation.



THERMOWELLS AND ACCESSORIES

STEM LENGTH	BRASS CAT NO.	304SS CAT NO.	316SS CAT NO.	NPT	INSERTION (U)	LAG EXTENSION (L)
3 1/2	E35-75BS	E35-75SS	E35-75316SS	3/4	2 1/2	—
6	ER6-75BS	ER6-75SS	ER6-75316SS	3/4	5	—
9	ER9-75BS	ER9-75SS	ER9-75316SS	3/4	8	—
12	ER12-75BS	ER12-75SS	ER12-75316SS	3/4	11	—
3 1/2	ESS35-50BS	ESS35-50SS	ESS35-50316SS	1/2	2	1
3 1/2	ESS35-75BS	ESS35-75SS	ESS35-75316SS	3/4	2	1
6	EN6-75BS	EN6-75SS	EN6-75316SS	3/4	2 1/2	2 1/2
9	ENS9-75SS	ENS9-75SS	ENS9-75316SS	3/4	5 1/2	2 1/2
12	ENS12-75BS	ENS12-75SS	ENS12-75316SS	3/4	8 1/2	2 1/2

Navy Class Thermometers

The Weiss 6" Navy Class Thermometer is compactly designed, ruggedly constructed and has excellent readability. The blue-reading liquid-in-glass tube maintains accuracy despite vibrations and shock.

This economical thermometer is built for diesel engines, compressors, brine lines and all small piping networks. It is especially adaptable to equipment operating under continuous vibrating conditions.

CASE: Attractive modern design; V-shaped gray Valox case. Wide angle construction allows full scale width for easy reading.

GLASS FRONT: Protective glass cover is retained within the outer edges of the case. Spring pressure created by the V-scale secures the glass against the case and prevents it from rattling. A formed cover plate, easily removable, completes the assembly.

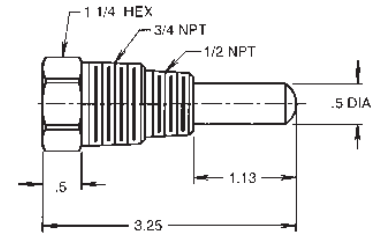
TUBE & SCALE: "Blue-Reading" liquid tube is standard. V-shaped scale is designed for maximum readability with extra large black numbers. Our cross-locked, scale holding device positively prevents loosening or shifting of scale and does away with holes and screws that interfere with scale markings.

STEM ASSEMBLY: Standard fittings of all brass construction which insures proper response to temperature changes. Standard dual threaded socket for 1/2" and 3/4" NPT. Meets all current military specifications (Army, Navy, Air Force).



5AS2

E13S-BS Thermowell



NAVY CLASS THERMOWELLS

STRAIGHT FORM	CAT NO.	ANGLE FORM	CAT NO.	BRASS	304SS	316SS	STEM	INSERTION U
2" STEM	5SS2	2" STEM	5AS2	E13S-BS	E13S-SS	E13S-316SS	2"	1 5/16"
4" STEM	5SS4	4" STEM	5AS4	E13L-BS	E13L-SS	E13L-316SS	4"	3 5/16"

ADD RANGE CODE FROM RANGE TABLE LISTING EX: 5AS2-240 (RANGE 30-240F) ABOVE CATALOG NUMBERS **DO NOT INCLUDE SOCKETS** - ORDER SEPARATELY FROM THERMOWELL TABLE LISTING.

THRIFT LINE THERMOMETERS

Same Features as Navy Class Thermometer except:

STEM & SOCKET ASSEMBLY: All brass stem. Removable socket secured to stem by set-screw. Socket standard in brass with 1/2" NPT. Sockets also available with 3/4" NPT.



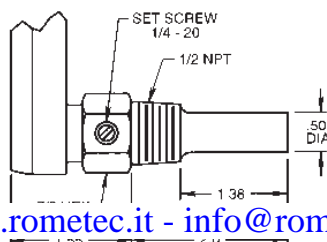
TL5S2

THRIFT LINE THERMOWELLS

STRAIGHT FORM	CAT NO. TL5S2	CAT NO.	NPT	INSERTION U
ANGLE FORM	CAT NO. TL5A2	SF12-BS	1/2"	1 3/8"
		SF34-BS	3/4"	1 3/8"

ADD RANGE CODE FROM RANGE TABLE LISTING. EX: TL5S2-240 (RANGE 30-240F). ABOVE CATALOG NUMBERS **DO NOT INCLUDE SOCKETS**-ORDER SEPARATELY FROM THERMOWELL TABLE LISTING.

SF12-BS Thermowell



The Weiss 6" Hot & Chilled Water Thermometer is our most economical offering in industrial glass thermometers. The unit features components of non-corrosive materials and its compact design and excellent readability makes the HW Series ideal for a variety of general purpose applications. Typical applications include small pipe lines, residential and commercial boilers, solar heating systems.

SCALE LENGTH: 5 1/2"

SCALE: White coated aluminum with permanently baked black markings.

FILL: Weiss "Blue Ribbon Liquid" is non-toxic and environmentally safe.

CASE: Molded V-shaped GE Valox® in gray textured finish.

CONNECTION: Brass 1/2" NPT.



HW5S2



HW5A2

HOT WATER THERMOMETERS

40-260°F (2° div.) and 5-125°C (1° div.)

STRAIGHT FORM	CAT NO. HW5S2
ANGLE FORM	CAT NO. HW5A2

FURNISHED IN RANGE 40-260 F&C ONLY

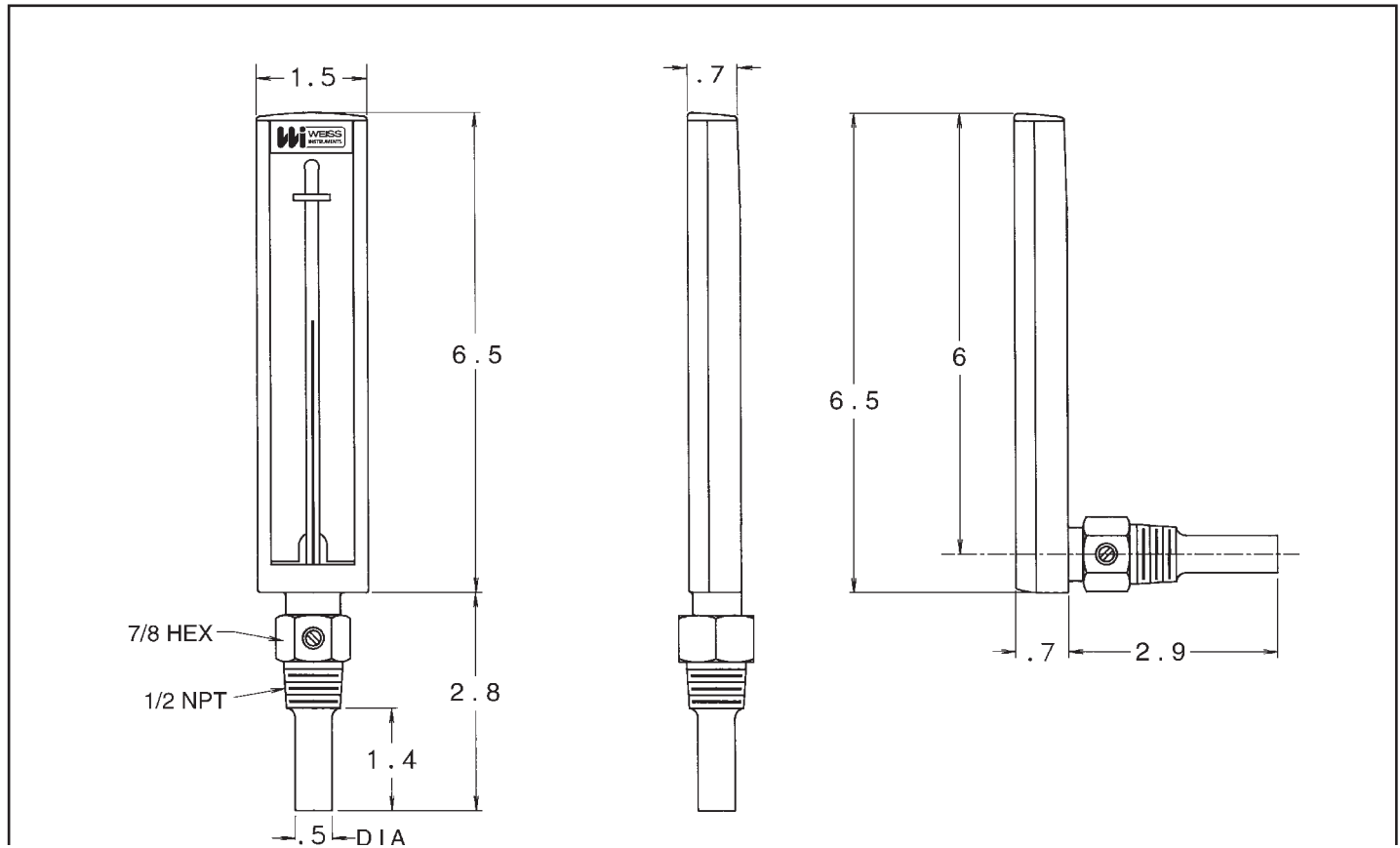
COMPLETE WITH 1/2" NPT BRASS CONNECTION WITH 1 3/8" INSERTION.

CHILLED WATER THERMOMETERS

-40-120°F (2° div.) and -40-50°C (1° div.)

STRAIGHT FORM	CAT NO. CW5S2
ANGLE FORM	CAT NO. CW5A2

FURNISHED IN RANGE -40-120 F&C ONLY



INDUSTRIAL GLASS TEMPERATURE MANUFS

°F RANGES	SCALE DIV.	RANGE CODE	°F & °C RANGES	RANGE CODE
40-0-110°F	2°	110	40-0-110F&C	115
0-120°F	1°	120	0-120F&C	125
0-160°F	2°	160	0-160F&C	165
30-180°F	2°	180	30-180F&C	185
30-240°F	2°	240	30-240F&C	245
30-300°F	5°	300	30-300F&C	305
50-400°F	5°	400	50-400F&C	405
50-550°F	5°	550	50-550F&C	555

°C RANGES	SCALE DIV.	RANGE CODE	°F & PSI RANGES	RANGE CODE
20-0-45 °C	1°	042	170-270 F&P	270
0-50 °C	1°	050	200-400 F&P	415
0-100°C	1°	100	80-135 C&Kg/CM2	135
0-160°C	2°	162		
0-200°C	2°	200		

All Ranges 400°F (200°C) and higher are furnished in Aluminum Case. F&PSI Ranges Available in Fixed Form Only.

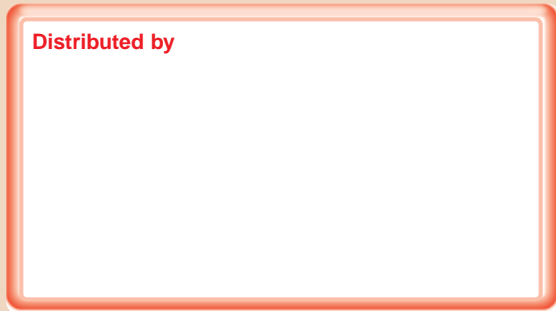
SIX INCH INDUSTRIAL THERMOMETER RANGES

°F RANGES	SCALE DIV.	RANGE CODE	°F & °C RANGES	RANGE CODE
40-0-110°F	2°	110	40-0-110F&C	115
20-120°F	2°	120	20-120F&C	125
20-180°F	2°	180	20-180F&C	185
30-240°F	2°	240	30-240F&C	245
30-300°F	5°	300	30-300F&C	305
50-400°F	5°	400	50-400F&C	405
			40-260F&C	265

°C RANGES	SCALE DIV.	RANGE CODE
5-0-50 °C	1°	050
0-110°C	2°	110
0-150°C	2°	150



WEISS INSTRUMENTS, INC.
905 WAVERLY AVE., HOLTSVILLE, N.Y. 11742
TEL: (631) 207-1200 • FAX: 631.207.0900
On the Web: www.weissinstruments.com



Dual Point Infra-Red Remote Reading Thermometer

The latest in the line of Infra-red temperature measurement. Using the remote dual point Infra-red Thermometer by Weiss gets the job done quick, accurate and safe.

If you can see it you can measure it.

Designed to be contractor tough, the Weiss Infra-red Thermometer is ideal for measuring larger surface areas as well as for finding hot or cold spots by sweeping the dual points will guide you to wherever you need to measure. With instant on and instant temperature grabs you won't be wasting time on the job. Stand, Point, Shoot ... job done.

Professional Grade:

- Measure temperature on larger surface areas than single point device.
- Dual Points guide you to optimal & accurate measurement target area.
- Measure temperature from farther distances with 14:1 ratio.

- Dual Laser Pointer
- Pistol Grip Design
- Back Light
- $\pm 2\%$ Accuracy
- $^{\circ}\text{F}/^{\circ}\text{C}$ Selection
- $-58/986^{\circ}\text{F}$
 $-50/530^{\circ}\text{C}$
- Auto Off

Bright, Built-in Dual Lasers
provides easy aiming



The packaging allows a full view of the package contents and is for hanging rack display.



Made in USA

Liquid Filled Pressure Gauges

These American made Liquid Filled Pressure Gauges come standard in a tough, corrosion and impact resistant Zytel Nylon case. They are available in a 2½" dial and a nominal 4.0" case in both a brass and 316SS internal construction. They are "fully filled" due to the internal "breathing diaphragm" which eliminates the need for an air bubble in the mid-range of the gauge. The standard fill is a non-yellowing, crystal clear glycerine for temperature of -40/150F.

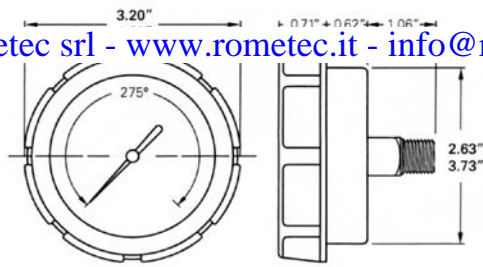
SPECIFICATIONS

CASE:	Zytel Nylon - Black
BEZEL:	Zytel Nylon - Removable
LENS:	Acrylic
POINTER:	Black Aluminum
DIAL:	White Aluminum
FILL:	High Purity Glycerin
AMBIENT TEMP.:	-40 to 150°F

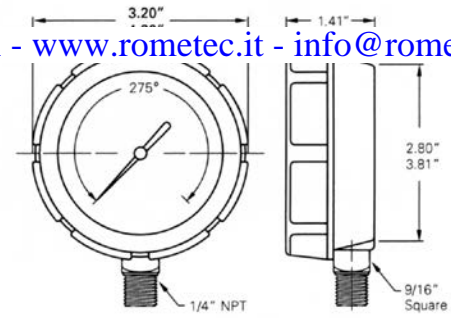
APPLICATIONS

Mobile Hydraulic Equipment
Irrigation / Water Purification
Waste Water
Food / Pharmaceutical
Bulk Transport Trailers
Military / Marine
Chemical Plants
Refineries





Case Dimensions - 2.5" and 3.5"



CAT. NO.	DIAL SIZE	RANGES	BOURDON TUBE	CONNECTION	SOCKET	ACCURACY
LF251Z	2.5"	Vacuum, Compound, Pressure to 5000 psi	Bronze	1/4" NPT Lower	Brass	ANSI B40.1 GRADE A 2/1/2%
LF441Z	4.0"	Vacuum, Compound, Pressure to 5000 psi	Bronze	1/4" NPT Lower	Brass	ANSI B40.1 GRADE 1A 1%
LF252Z	2.5"	Vacuum, Compound, Pressure to 10,000 psi	316 S.S.	1/4" NPT Lower	316 S.S.	ANSI B40.1 GRADE A 2/1/2%
LF442Z	4.0"	Vacuum, Compound, Pressure to 10,000 psi	316 S.S.	1/4" NPT Lower	316 S.S.	ANSI B40.1 GRADE 1A 1%

TO SPECIFY

CHOOSE CAT. NO.		PLUS RANGE CODE			PLUS CONNECTION	
INDICATES CONSTRUCTION		RANGE CODE			SIZE & LOCATION	
CAT. NO. - DIAL SIZE	INTERNALS	RANGE CODE	RANGE			
LIQUID FILL			psi	kPa		
LF251Z 2 1/2"	Bronze	015	0-15	0-100	4L = 1/4" Lower	
LF252Z 2 1/2"	316S.S.	030	0-30	0-200		
LF441Z 4"	Bronze	060	0-60	0-400		
LF442Z 4"	316S.S.	100	0-100	0-700		
		160	0-160	0-1100		
		200	0-200	0-1400		
		300	0-300	0-2100		
		400	0-400	0-2800		
		600	0-600	0-4200		
		1000	0-1000	0-7000		
		1500	0-1500	0-10,000		
		2000	0-2000	0-14,000		
		3000	0-3000	0-21,000		
		5000	0-5000	0-40,000		
		6000	0-6000	0-42,000		
		10000	0-10,000	0-70,000		
		VAC	0-30" HG	-100-0		
		V30	30"-0-30	-100-200		
		V60	30"-0-60	-100-400		
		V100	30"-0-100	-100-700		
		V150	30"-0-150	-100-1000		
		V200	30"-0-200	-100-1400		
		V300	30"-0-300	-100-2100		

Ex: LF251Z – 100 – 4L

LFZ - 06/20

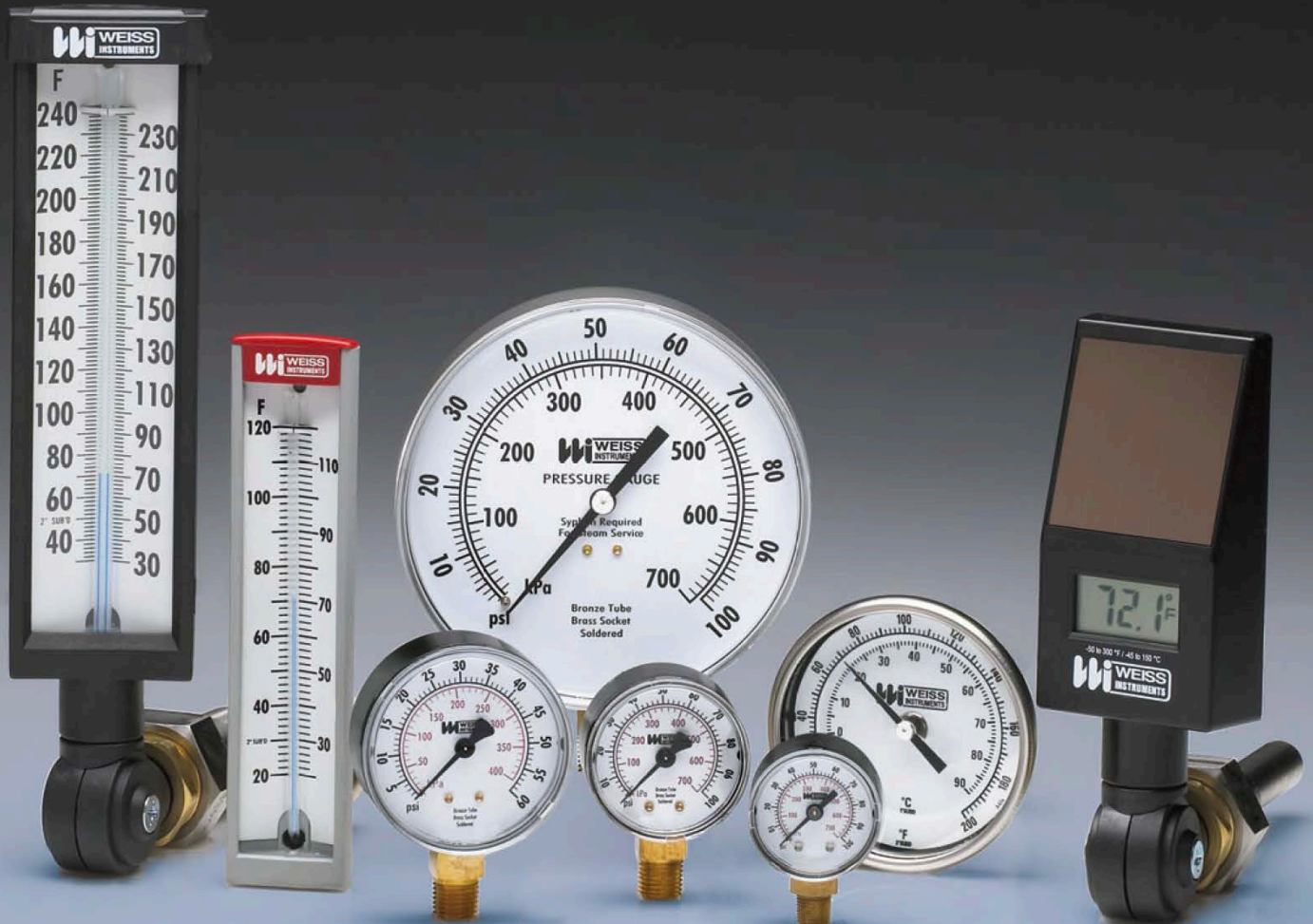
WEISS INSTRUMENTS

Plumbing

Heating

Cooling

Temperature, Pressure Instruments



Throughout the 20th century, the Weiss name has been synonymous with quality and reliability in instrumentation. Some of the products we have manufactured for more than 135 years are proudly illustrated in this catalog, dedicated to your requirements in the plumbing, heating and cooling industry. Recent products such as our line of Vari-angle Digital Thermometers, fast becoming the Contractor choice, are also available to you.

Whether you require instruments for temperature or pressure monitoring, the Weiss line offers a choice. Our commitment to quality extends well beyond the products we provide. Each day we strive to offer our customers responsive service and reliable deliveries, qualities so necessary in today's business climate. Weiss understands the trends of today's market and we look forward to proving our ability to react to the daily challenge.

Old World Craftsmanship . . . NEW WORLD TECHNOLOGY
Since 1882

INDEX

	Page
Industrial Thermometers	3
Six Inch and Thrift Line Industrial Thermometers	4
Six Inch Hot & Chilled Water, Hot Water Bimetal and General Purpose Thermometers	5
Bimetal Dial Thermometers	6
Vapor Actuated Dial Thermometers	7
Digital Vari-angle Thermometers	8
Vari-angle Digital Transmitter and Infra-red Thermometer	9
Surface Thermometers and Sprinkler Service Gauges	10
Lead Free Gauges & Accessories	11
Digital Process Pressure Gauges	12
Trade Line and HVAC Pressure Gauges	13
Industrial Pressure Gauges	14
Process Pressure Gauges	15
Stainless Steel Industrial Gauges	16
Low Pressure Diaphragm Gauges and Tri-o-meters	17
Digital Vari-angle Thermometers and Temperature Switch Gauges	18
Temperature Switch Gauge Ordering Chart	19
Digital Thermometers - Vapor Type	20
Digital Thermometers - Gas Type	21
Diaphragm Seals	22
Gauge Accessories and Temperature / Pressure Test Plugs	23

The Weiss 7" and 9" Vari-angle® is molded of GE Valox® polyester, 40% glass/mineral reinforced. This particular material has excellent strength, impact and stiffness properties which makes it perfect for the toughest applications. Some of the uses are process piping, tanks, pipelines in building construction, boilers and air ducts. The Vari-angle is a versatile thermometer that can be adjusted easily for optimum readability. Furnished in ranges up to and including 300°F.

® Vari-angle is a registered trademark of Weiss Instruments, Inc.

FILL: Weiss "Blue Ribbon Liquid".

CASE: Modern V-shape design with parts molded of GE Valox polyester, in black textured finish. Heavy glass protected front firmly secured against rattles by spring action.

STEM: For 3 1/2" stems only and ranges up to and including 300°F, the stem material is a precision die cast Zamac alloy. For ranges above 300°F, bulb chamber is a precision machined aluminum alloy with copper plated steel stem extension. *For Separable Socket connections only.*

® Valox is a registered trademark of the General Electric Co.



ari-angle AIR DUCT THERMOMETERS

9" SCALE	CAT NO.
3 1/2" STEM	9VD35
6" STEM	9VD6
9" STEM	9VD9
12" STEM	9VD12

ADD RANGE CODE FROM RANGE TABLE LISTING. **EX: 9VD6-180 (RANGE 30-180F)**
ABOVE CAT. NUMBERS INCLUDE A REVERSIBLE DUCT MOUNTING FLANGE.

ari-angle INDUSTRIAL THERMOMETERS

7" SCALE	CAT NO.
3 1/2" STEM	7VU35
6" STEM	7VU6
9" STEM	7VU9
12" STEM	7VU12

ADD RANGE CODE FROM RANGE TABLE LISTING. **EX: 9VU35-240 (RANGE 30-240F)**
ABOVE CATALOG NUMBERS **DO NOT INCLUDE SOCKETS** - ORDER SEPARATELY FROM THERMOWELL TABLE LISTING.

9" SCALE	CAT NO.
3 1/2" STEM	9VU35
6" STEM	9VU6
9" STEM	9VU9
12" STEM	9VU12

ari-angle ALUMINUM CASE IND. THERMOMETERS

9" SCALE	CAT NO.
3 1/2" STEM	A9VU35
6" STEM	A9VU6
9" STEM	A9VU9
12" STEM	A9VU12

ADD RANGE CODE FROM RANGE TABLE LISTING.

°F RANGES	SCALE DIV.	RANGE CODE
40-0-110°F	2°	110
0-120°F	1°	120
0-160°F	2°	160
30-180°F	2°	180
30-240°F	2°	240
30-300°F	5°	300
50-400°F	5°	400
50-550°F	5°	550

All Ranges 400°F (200°C) and higher are furnished in Aluminum Case.

THERMOWELLS AND ACCESSORIES

STEM LENGTH	BRASS CAT NO.	304SS CAT NO.	316SS CAT NO.	NPT	INSERTION (U)	LAG EXTENSION (L)
3 1/2"	E35-75BS	E35-75SS	E35-75316SS	3/4	2 1/2	—
6"	ER6-75BS	ER6-75SS	ER6-75316SS	3/4	5	—
9"	ER9-75BS	ER9-75SS	ER9-75316SS	3/4	8	—
12"	ER12-75BS	ER12-75SS	ER12-75316SS	3/4	11	—
3 1/2"	ESS35-50BS	ESS35-50SS	ESS35-50316SS	1/2	2	1
3 1/2"	ESS35-75BS	ESS35-75SS	ESS35-75316SS	3/4	2	1
6"	EN6-75BS	EN6-75SS	EN6-75316SS	3/4	2 1/2	2 1/2
9"	ENS9-75BS	ENS9-75SS	ENS9-75316SS	3/4	5 1/2	2 1/2
12"	ENS12-75BS	ENS12-75SS	ENS12-75316SS	3/4	8 1/2	2 1/2



The Weiss 6" Navy Class Thermometer is compactly designed, ruggedly constructed and has excellent readability. The blue-reading liquid-in-glass tube maintains accuracy despite vibrations and shock.

This economical thermometer is built for general hydronic applications such as chilled and hot water lines and all small piping networks. It is especially adaptable to equipment operating under continuous vibrating conditions.

FILL: Weiss "Blue Ribbon Liquid".

CASE: Attractive modern design; V-shaped gray Valox case. Wide angle construction allows full scale width for easy reading.

STEM ASSEMBLY: Standard fittings of all brass construction which insures proper response to temperature changes. Standard dual threaded socket for 1/2" and 3/4" NPT. Meets all current military specifications (Army, Navy, Air Force).

NAVY CLASS THERMOWELLS

STRAIGHT FORM	CAT NO.	ANGLE FORM	CAT NO.	BRASS	304SS	316SS	STEM	INSERTION U
2" STEM	5SS2	2" STEM	5AS2	E13S-BS	E13S-SS	E13S-316SS	2"	1 5/16"
4" STEM	5SS4	4" STEM	5AS4	E13L-BS	E13L-SS	E13L-316SS	4"	3 5/16"

ADD RANGE CODE FROM RANGE TABLE LISTING. EX:5AS2-240 (RANGE 30-240F)
 ABOVE CATALOG NUMBERS **DO NOT INCLUDE SOCKETS** - ORDER SEPARATELY FROM THERMOWELL TABLE LISTING.

THRIFT LINE THERMOMETERS



Same Features as Navy Class Thermometer except:

STEM & SOCKET ASSEMBLY: All brass stem. Removable socket secured to stem by set-screw. Socket standard in brass with 1/2" NPT.

STRAIGHT FORM	CAT NO. TL5S2
ANGLE FORM	CAT NO. TL5A2

ADD RANGE CODE FROM RANGE TABLE LISTING. EX: TL5S2-240 (RANGE 30-240F). ABOVE CATALOG NUMBERS **DO NOT INCLUDE SOCKETS** ORDER SEPARATELY FROM THERMOWELL TABLE LISTING.

THRIFT LINE THERMOWELLS

CAT NO.	NPT	INSERTION U
SF12-BS	1/2"	1 3/8"
SF34-BS	3/4"	1 3/8"

°F RANGES	SCALE DIV.	RANGE CODE
40-0-110°F	2°	110
20-120°F	2°	120
20-180°F	2°	180
30-240°F	2°	240

The Weiss 6" Hot & Chilled Water Thermometer is our most economical offering in industrial glass thermometers. The unit features components of non-corrosive materials and its compact design and excellent readability makes the HW & CW Series ideal for a variety of general purpose applications. Typical applications include small pipe lines, residential and commercial boilers, solar heating systems.

- SCALE LENGTH:** 5 1/2"
- SCALE:** White coated aluminum with permanently baked black markings.
- TUBE:** Magnifying blue liquid.
- CASE:** Molded V-shaped GE Valox® in gray textured finish.
- RANGE:** Hot Water 40-260°F (2° div.) and 5-125°C (1° div.)
Chilled Water -40-110°F (2° div.) and -40-43°C (1° div.)
- CONNECTION:** Brass 1/2" NPT.



	HOT WATER	CHILLED WATER
STRAIGHT FORM	CAT NO. HW5S2	CAT NO. CW5S2
ANGLE FORM	CAT NO. HW5A2	CAT NO. CW5A2

COMPLETE WITH 1/2" NPT BRASS CONNECTION WITH 1-3/8" INSERTION.

HOT WATER BIMETAL DIAL THERMOMETERS

Weiss' most economical offering in the dial thermometers is ideal for a number of general heating applications including small pipelines. Units are furnished with 1/2" NPT brass removable socket or 3/4" sweat connection.

DESCRIPTION	DIAL SIZE	CAT. NO.	RANGE	FITTING
HOT WATER BIMETAL	2 1/2"	HWBM25	32-250 F&C	1/2" NPT
	4"	HWBM40	32-250 F&C	1/2" NPT
	2 1/2"	HWBM25S	32-250 F&C	3/4" SWEAT
	4"	HWBM40S	32-250 F&C	3/4" SWEAT



GENERAL PURPOSE THERMOMETERS

The instruments illustrated here are general purpose type. The group consists of bimetal dial, glass pocket clip and pocket digital thermometers.

DESCRIPTION	CAT. NO.	RANGE
DIAL THERMOMETERS		
POCKET DIAL	PT125	25-125F
POCKET DIAL	PT180	40-0-180F
POCKET DIAL	PT220	0-220F
GLASS THERMOMETERS		
POCKET GLASS	PLC120	30-0-120F
POCKET GLASS	PLC220	0-220F
DIGITAL THERMOMETERS		
POCKET DIGITAL/AUTO OFF	DP300	58-0-302F&C
POCKET DIGITAL/WATER PROOF	DP300A	58-0-302F&C





Weiss offers a complete line of Commercial Bimetal Thermometers in 2", 3" and 5" dial sizes. All versions are hermetically sealed and silicone dampened for optimum performance in most industrial applications. A recalibration feature is standard on the 3" and 5" dial forms.

CASE: The entire case assembly is of Type 304 Stainless Steel. To insure a moisture proof unit, the heavy glass face is securely gasketed with the case and bezel assembly, hermetically sealed.

STEM ASSEMBLY: The stem and fixed thread connection is fabricated of stainless steel. All welded construction insures complete corrosion resistance.

With 2" dials the fixed thread is 1/4" NPT, 3" and 5" dials are 1/2" NPT.

MODEL 2BM - 2" Angle

CAT NO.	Stem Length*	NPT
2BM25	2 1/2"	1/4"
2BM4	4"	1/4"
2BM6	6"	1/4"
2BM9	9"	1/4"
2BM12	12"	1/4"

MODEL 3RBM, 3" Angle - 3RBMS, 3" Straight

CAT NO.	Stem Length*	NPT
3RBM25 3RBMS25	2 1/2"	1/2"
3RBM4 3RBMS4	4"	1/2"
3RBM6 3RBMS6	6"	1/2"
3RBM9 3RBMS9	9"	1/2"
3RBM12 3RBMS12	12"	1/2"

MODEL 5RBM, 5" Angle - 5RBMS, 5" Str.

CAT NO.	Stem Length*	NPT
5RBM25 5RBMS25	2 1/2"	1/2"
5RBM4 5RBMS4	4"	1/2"
5RBM6 5RBMS6	6"	1/2"
5RBM9 5RBMS9	9"	1/2"
5RBM12 5RBMS12	12"	1/2"

MODEL 3VBM, 3" Vari-angle

CAT NO.	Stem Length*	NPT
3VBM25	2 1/2"	1/2"
3VBM4	4"	1/2"
3VBM6	6"	1/2"
3VBM9	9"	1/2"
3VBM12	12"	1/2"



MODEL 5VBM, 5" Vari-angle

CAT NO.	Stem Length*	NPT
5VBM25	2 1/2"	1/2"
5VBM4	4"	1/2"
5VBM6	6"	1/2"
5VBM9	9"	1/2"
5VBM12	12"	1/2"

*Includes thread. Longer stem lengths available.

NOTE: When ordering Silicone Filled Bimetals add Prefix **SF** to appropriate Catalog No. Ex: **SF5RBM25**

FAHRENHEIT	FIG. INTER.	SCALE DIV.	CELSIUS	FIG INTER.	SCALE DIV.	DUAL SCALE - F&C	
-80/0/120	20°	2°	-50/0/50	10°	1°	-80/0/120F	-60/0/50C
-20/0/120	20°	2°	**0/50	5°	1/2°	-20/0/120F	-30/0/50C
**30/130	10°	1°	0/100	10°	1°	**30/130F	0/55C
0/200	20°	2°	0/150	10°	1°	0/200F	-15/0/90C
0/250	20°	2°	0/200	20°	2°	0/250F	-20/0/120C
50/300	20°	2°	0/300	50°	2°	50/300F	10/150C
50/400	50°	5°	*0/450	50°	5°	50/400F	10/200C
50/550	50°	5°	**100/550	50°	5°	50/550F	10/260C
*100/800	100°	10°				*100/800F	40/425C
**200/1000	100°	10°				**200/1000F	100/540C

* Satisfactory for continuous service up to 800°F or 425°C. Can be used for intermittent service from 800-1000°F or 425-500°C.

** Minimum stem length for these ranges is 4". ** Minimum stem length is 4" Straight and Vari-angle Form.

SEPARABLE SOCKETS FOR 3" AND 5" ONLY					DUCT MOUNTING FLANGES	
	CAT. NO.	STEM LGTH.	INSERT LGTH.		CAT. NO.	INSERTION
3/4" NPT	B25	2 1/2	1 1/2		BF3	STANDARD
	B35	4	2 1/2		BF3-2	EXTENSION NECK
	BR6	6	4 1/2			
	BR9	9	7 1/2			
	BR12	12	10 1/2			
	CAT. NO.	STEM LGTH.	INSERT LGTH.	LAG EXT.		
	BSS35	4	1 1/2	13/4		
	BN12	12	7 1/2	3		

Offered in 3 1/2" and 4 1/2" dial sizes, these thermometers are furnished in four stainless steel case configurations for direct, surface or panel mounting. The following coding chart illustrates a wide variety of bulb styles, capillaries and process connection fittings. The versatility of configurations makes these thermometers well suited to a wide range of applications including hot and chilled water pipeline systems, tanks and air ducts.

CODE	CATALOG NO.	DESCRIPTION				
I	35	CASE SIZE 3 1/2" Case				
	45	4 1/2" Case				
II	V	CASE TYPE Vari-angle,® Direct Mount				
	B	Back Flange, Surface Mount				
	R	Semi-flush, Panel Mount				
	Z	Adjustable Bracket, Remote Mount				
III	A	CASE CONNECTION Adjustable				
	B	Back Connection				
	L	Lower Connection				
IV	3	CASE WINDOW Snap in Lexan with "O" Ring				
V	THERMAL SYSTEM					
		Bulb Type	Bulb Material	Capillary Material	Capillary Protection	
	0	Union	Copper (Vari-angle only)			
	2	Plain	Copper	Copper	Cu. Braid	
	3	Plain	316 S.S.	316 S.S.	None	
	5	Union	Copper	Copper	Cu. Braid	
	7	Union	316 S.S.	Copper	Cu. Braid	
	8	Union	316 S.S.	316 S.S.	Intlock Armor*	
	9	Union	316 S.S.	316 S.S.	None	
* At bulb end 3 1/2" long. All systems have S.S. Spring capillary protection at indicating head. No. 5-7 system include S.S. spring at bulb end - S.S. jam nut standard on No. 8-9 system.						
VI	BULB SELECTION					
		Thermal System No. 5 Thru 9 (Union)		Thermal System No. 2 & 3 (Plain)		Max. System Len.
		Dia.	Length	Dia.	Length	
	1	7/16	2.5"	N.A.	N.A.	10Ft.
	2*	7/16	3.4"	3/8	3.4	25Ft.
	3*	7/16	5.4"	3/8	5.9	50Ft.
	4	7/16	7.4"	3/8	7.9	99Ft.
5	7/16	9.4"	3/8	9.4	99Ft.	
X	1/8" x 180" Averaging Bulb				10Ft.	
6	N.A.	N.A.	3/8	2.5	05Ft.	
* Only No. 2&3 bulbs are options for Vari-angle.						

STANDARD RANGES*		
-40-0-60F	0-150F	30-300F
-20-0-100F	0-180F	100-350F
-40-0-110F	40-240F	60-260F

*All Ranges available in Dual Scale, F&C.



VII	PROCESS CONNECTION FITTING	
	1	Union Connection 1/2" NPT
	2	Union Connection 3/4" NPT
	3	Separable Socket 1/2" NPT
	4	Separable Socket 3/4" NPT
	5	Separable Socket 1/2" NPT with 2" Lag Extension (No.3 Bulb only)
6	Separable Socket 3/4" NPT with 2" Lag Extension (No.3 Bulb only)	
7	Air Duct Flange, Union Conn., Aluminum only	
9	Plain bulb, no fitting	
VIII	PROCESS CONNECTION MATERIAL	
	1	Brass
	2	304 Stainless Steel
	3	316 Stainless Steel
	5	Aluminum (Air Duct Flange only)
	0	None - Plain Bulb
IX A-B	See Example Below	SYSTEM LENGTH SPECIFYING
		9A - Use 2 digits: EX. 05, 10, 99 for length required. 9B - Use FT for feet, use IN for inches

EXAMPLE FOR OBTAINING COMPLETE CATALOG NUMBER FROM CODES - SERIES VTR

CODE I-IV (HEAD ASSY) CODE V-VIII (THERMAL SYSTEM) CODE IX A - B (CAPILLARY LENGTH)

4 5 B L 3 — **5 2 3 1** — **0 5 F T**

RANGE
40-240 F

EXAMPLE FOR OBTAINING COMPLETE CATALOG NUMBER FROM CODES - SERIES VTVA

CODE I-IV (HEAD ASSY) CODE V-VIII (THERMAL SYSTEM)

4 5 V A 3 — **0 2 3 1**

RANGE
40-0-60 F&C



SPECIFICATIONS							
CASE	Hi-impact ABS						
RANGE	-50/300°F -45/150°C						
DISPLAY	1/2" LCD digits, wide ambient formula						
ACCURACY	1% of reading or 1° whichever is greater						
RESOLUTION	1/10° between -19.9/199.9°F (-28/93 °C)						
RECALIBRATION	Internal potentiometer						
LUX RATING	10 Lux (one foot-candle)						
UPDATE	10 seconds						
AMBIENT OPERATING	-30/140°F (-35/60 °C)						
AMBIENT TEMP ERROR	Zero						
HUMIDITY	100%						
SENSOR	Glass passivated thermistor						
STEM ASSEMBLIES	<table border="0"> <tr> <td>INDUSTRIAL GLASS</td> <td>BIMETALLIC</td> </tr> <tr> <td>Full conformance with Fed Spec GG-T-321D.</td> <td>Full conformance with ASME B40.3-1990.</td> </tr> <tr> <td>Fully interchangeable with Industrial Glass Thermometers.</td> <td>Fully interchangeable with Bimetallic Dial Thermometers.</td> </tr> </table>	INDUSTRIAL GLASS	BIMETALLIC	Full conformance with Fed Spec GG-T-321D.	Full conformance with ASME B40.3-1990.	Fully interchangeable with Industrial Glass Thermometers.	Fully interchangeable with Bimetallic Dial Thermometers.
INDUSTRIAL GLASS	BIMETALLIC						
Full conformance with Fed Spec GG-T-321D.	Full conformance with ASME B40.3-1990.						
Fully interchangeable with Industrial Glass Thermometers.	Fully interchangeable with Bimetallic Dial Thermometers.						

The Weiss patented* Digital Vari-angle® Thermometer maintains the strict requirements for thermometers in hydronic applications in that they're self-powered and within 1% accuracy. This reliable series of digital thermometers offers the added feature of stem assemblies for direct replacement of mercury-in-glass types where environmental concerns exist. Whether on new installations or replacements, our Vari-angle Digital Thermometers include the same level of quality that the industry associates with the Vari-angle trademark and all Weiss Products.

*Patent No. 5,196,781 ®Vari-angle is a registered trademark of Weiss Instruments, Inc.

CAT. NO.	DESCRIPTION	IDN
DVU35	3 1/2" Industrial Stem	62100
DVU6	6" Industrial Stem	62110
E35-75BS*	3/4" NPT 3 1/2" Socket	20300
ER6-75BS*	3/4" NPT 6" Socket	20500
EN6-75BS*	3/4" NPT 6" Ext. Socket	20501
DVBM25	2 1/2" x 1/2" NPT Stem - Bimetal Type	62120
DVBM4	4" x 1/2" NPT Stem - Bimetal Type	62130
DVBM6	6" x 1/2" NPT Stem - Bimetal Type	62140
DVD6	6" Stem w/Duct Mtg. Flange	62310
DVD9	9" Stem w/Duct Mtg. Flange	62320

*For use with DVU thermometers on new installations.



Introducing the first "self-indicating" temperature transmitter that is light powered. Combining Weiss's patented mercury-free Solar Industrial Thermometer with a loop-powered 4 to 20mA transmitter results in a single unit that allows local reading and remote transmitting for HVAC systems, building automation or anywhere local and remote readings are required. Dual sensors offer independent operation for reliability and convenience. The DVUT requires one thermowell which saves time and money without sacrificing performance.



CASE	Hi-impact ABS
RANGE with F/C Switch	-50/300°F (-45/150°C)
DISPLAY	1/2" LCD digits, wide ambient formula
ACCURACY	1% of reading or 1° whichever is greater
RESOLUTION	1/10° between -19.9/199.9°F
RECALIBRATION	Through case potentiometer adjustment
LUX RATING	10 Lux (one foot-candle)
UPDATE	10 seconds
AMBIENT OPERATING	-30/140°F (-35/60°C)
AMBIENT TEMP ERROR	Zero
HUMIDITY	100%
SENSOR	Glass passivated thermistor - NTC
STEM ASSEMBLIES	
INDUSTRIAL GLASS	BIMETALLIC
Full conformance with Fed Spec GG-T-321D. Fully interchangeable with Industrial Glass Thermometers	Full conformance with ASME B40.3 - 1990. Fully interchangeable with Bimetallic Dial Thermometers
TRANSMITTER	
RANGE	-58/302°F (-50/150°C)
OUTPUT	4 to 20mA
OPERATING AMBIENT	-15/185°F (-25/85°C)
AMBIENT ERROR	.015% Span (°C)
SUPPLY	8.5 to 35VDC
MAX.LOAD RESISTANCE	775Ω with 24VDC Supply
ACCURACY	0.5% of Span
SENSOR	Platinum 100ΩRTD

INFRA-RED THERMOMETER

This Professional Grade Infra-red Thermometer is one of the most advanced units manufactured today. It's easy to use and applicable for almost any temperature measurement, including HVAC balancing, motor temperatures, air conditioning and hot / chilled water pipe lines.



- 14:1 Ratio
- Dual Laser Pointer
- Pistol Grip Design
- Back Light
- 1% Accuracy
- Auto Off

Cat. No.	Range (Switchable)	IDN
IR141	-58/986°F	60206

Spring and Magnet Held Thermometers to monitor the surface temperatures of pipes, motors, engines, tanks, etc.



CAT. NO.	DIAL	RANGE	TYPE
MG25BM	2 1/2"	0 – 500 F&C	Magnet
SP25BM	2 1/2"	0 – 500 F&C	Spring
MG25BM	2 1/2"	30 – 250 F&C	Magnet
SP25BM	2 1/2"	30 – 250 F&C	Spring

SPRINKLER SERVICE GAUGES

The Weiss Fire Protection Sprinkler Gauges are Underwriters Laboratory listed and Factory Mutual approved for fire protection sprinkler service. The 0-300 psi pressure range is used on "wet" systems where water is available to the sprinkler heads.

The 0-80 retard to 250 psi pressure range is used on dry systems where the lines are filled with air pressure until system activation.

SPECIFICATIONS

DIAL SIZE - 3 1/2"

CASE - ABS (POLYCARBONATE)

WINDOW - POLYCARBONATE PUSH-IN

ACCURACY - ASME B40.1 GradeB 3-2-3%

TUBE & SOCKET - BRONZE / BRASS

CONNECTION - 1/4" NPT LOWER

APPROVALS - UL / FACTORY MUTUAL



Zero Zone indication, a standard feature on these gauges, reduces the potential risk of installing a damaged gauge on your equipment.

CAT NO.	RANGE
SSG-300-4L	0-300 psi (Water)
SSG-300-4L	0-80 Retard to 250 psi (Air)

SPECIFICATIONS – 4CTSLF

DIAL SIZE - 4 1/2"

CASE - Drawn stainless steel, with push-in Lexan window.

TUBE - Phosphor bronze.

SOLDER CONNECTION - Lead Free.

SOCKET < 0.25% Lead Free Brass

CERTIFICATION - UL in accordance with NSF/ANSI 372

CERTIFICATION NR - 20131004-MH59893

CONNECTION - 1/4" NPT Bottom

DIAL - White coated metal lithographed with black graduations lines and numerals.

POINTER - Slotted adjustable.

ACCURACY - 1% ANSI-ASME B40.1 Grade 1A.

OPERATING TEMPERATURE

Ambient: -40°F to 140°F (-40°C to 60°C)

Media: 140°F (+60°C) Maximum



UTILITY PRESSURE GAUGES - WEISS SERIES 25CTSLF

CAT. NO.	RANGES		ANSI/ASME
25CTSLF	0 - 30 PSI	0-160 PSI	B40.1 Grade B
Black Plastic Case	0 - 60 PSI	0-200 PSI	
	0-100 PSI	0-300 PSI	

HVAC PRESSURE GAUGES - WEISS SERIES 4CTSLF

CAT. NO.	RANGES		ANSI/ASME
4CTSLF	0 - 30 PSI	0-160 PSI	B40.1 Grade 1A
Stainless Steel Case	0 - 60 PSI	0-200 PSI	
	0-100 PSI	0-300 PSI	

BALL & NEEDLE VALVES & SNUBBERS FOR HVAC PRESSURE GAUGES

CAT. NO.	SIZE	MATERIAL	RATING
BLC-14LF (Ball Valve)	1/4" FNPT x 1/4" FNPT	Lead Free Brass	600 psi / 300°F
25NVBRLF (Needle Valve)	1/4" FNPT x 1/4" FNPT	Lead Free Brass	600 psi / 300°F
PSN-B-E-25LF (Snubber)	1/4" FNPT x 1/4" MNPT	Lead Free Brass	600 psi / 300°F

LEAD FREE THERMOWELLS FOR INDUSTRIAL GLASS, BIMETAL DIAL AND DIGITAL THERMOMETERS

CAT NO.	LENGTH	APPLICABLE TO THERMOMETER ITEMS	ANSI/ASME
E35-75BSLF	4 1/4	9VU35, A9VU35, DVU35	B40.2
ESS35-75BSLF	4 1/4	9VU35, A9VU35, DVU35	B40.2
ER6-75BSLF	6 3/4	9VU6, A9VU6, DVU6	B40.2
EN6-75BSLF	6 3/4	9VU6, A9VU6, DVU6	B40.2
B25-75BSLF	2 3/4	5VBM25, 3VBM25	B40.2

Advanced Technology in Pressure Measurement

The wide acceptance and success of Weiss Light Powered Instruments is attributed to their high level of quality and reliability as well as an understanding about the impractical nature of changing batteries in industrial applications.



LIGHT POWER

GREEN POWER

- IP65 Weatherproof Housing
- ASME B40.7 Conformance
- User Selector Functions
- 4-20 MA Output
- <10 Lux Rating
- Large Display

SPECIFICATIONS

Case: 4 1/2" Black Glass Reinforced Thermo Plastic (PBTP) Solid Front Construction, Blow Out Back Safety Design, Weatherproof IP65

Window: Acrylic

Sensor: Gold Plated Ceramic, Kalrez® (chemically resistant) O-Ring Seal

Wetted Materials: 316SS

Ranges: Vacuum to 1,000 psi (See Range Table)

Accuracy: 0.5% Full Scale ASME 40.7 AA (.25% available consult factory)

Ambient Operating: -10–140°F (-10–60°C)

DISPLAY

Type: LCD

Lux Rating: <10 (only one foot-candle)

Resolution: 1/4%

Digits: (4) 5/8" High

Update: One second
Two seconds (under 20 Lux)

USER SELECTOR FUNCTIONS

- Left Units** Select from 4 units of measure PSI, kPa, KG/CM2 or Bar with corresponding Vacuum
- Center Zero** Adjustment ± 4 increments
- Right Avg.** Set reading in average of 1,2,4,8 seconds

316SS Sensor / 316SS Socket 1/4"NPT		316SS Sensor / 316SS Socket 1/2" NPT	
Range	Cat. No.	Range	Cat. No.
15 psi*	DUGY3-015-4L	15 psi*	DUGY3-015-2L
60 psi*	DUGY3-060-4L	60 psi*	DUGY3-060-2L
100 psi*	DUGY3-100-4L	100 psi*	DUGY3-100-2L
200 psi	DUGY3-200-4L	200 psi	DUGY3-200-2L
400 psi	DUGY3-400-4L	400 psi	DUGY3-400-2L
1000 psi	DUGY3-1000-4L	1000 psi	DUGY3-1000-2L

*These Ranges (Items also indicate Vacuum)

Digital Ranges				
Vacuum	psi	kPa	KG/CM2	Bar
30" HG*	15	100	1	1
30" HG*	60	400	4	4
30" HG*	100	700	7	7
–	200	1400	14	14
–	400	2800	28	28
–	1000	7000	70	70

*Metric Reads -100kPa 76 CM/HG -1 Bar

HOW TO ORDER – DUGY3 - Range Code - NPT Size - Location - Options

Range	Code	Size	Code	Code
Vac to 15 psi*	015	1/4 Lower	4L	SG
Vac to 60 psi*	060	1/2 Lower	2L	T
Vac to 100 psi*	100			
0-200 psi	200			
0-400 psi	400			
0-1000psi	1000			

EX: DUGY3-060-4L

OPTIONS

- SG-Safety Glass**
- T - 4-20 MA Output**
Starts at zero psi to top of Range

Weiss TL Gauges are intended for general service conditions, for pressure or vacuum on air, oil, water, gas or other mediums that do not attack brass. TL Gauges are furnished in drawn steel cases, finished in black. The 1 1/2" dials are supplied with 1/8" NPT and 2" dial versions are available with 1/4" or 1/8" NPT connections. All other dial sizes are 1/4" NPT. All gauges conform with ANSI B40.1 accuracy Grade B-2 mid scale.



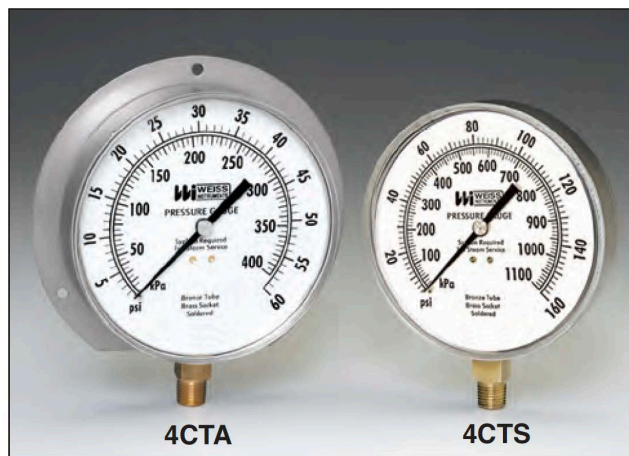
TO SPECIFY				
CHOOSE CAT. NO. - PLUS RANGE CODE - PLUS CONNECTION				
INDICATES DIAL SIZE	RANGE CODE	RANGE	SIZE & LOCATION	
TL15	1 1/2"	015	0-15	8L = 1/8" Lower
TL20	2"	030	0-30	8B = 1/8" Ctr Back
TL25	2 1/2"	100	0-100	
TL40	4"	160	0-160	4L = 1/4" Lower
		200	0-200	
		300	0-300	4B = 1/4" Ctr Back
		400	0-400	
		600	0-600	
		VAC	0-30"HG	
		V30	30-0-30	
		V60	30-0-60	
		V100	30-0-100	
		V150	30-0-150	

Ex: TL25 - 100 - 4L

PRESSURE		
RANGE	GRADUATIONS	FIG. INTERVAL
0-15	0.5	1
0-30	0.5	5
0-60	1	5
0-100	2	10
0-160	5	20
0-200	5	20
0-300	5	30
0-400	10	50
0-600	10	50
COMPOUND		
30-0-15	1" Hg.-0.5p	5" Hg.-3p
30-0-30	1" Hg.-1p	10" Hg.-5p
30-0-60	2" Hg.-1p	10" Hg.-10p
30-0-100	5" Hg.-2p	15" Hg.-10p
30-0-150	5" Hg.-2p	30" Hg.-20p
VACUUM		
30"-0	0-5" In. Hg.	5" In. Hg.

HVAC PRESSURE GAUGES

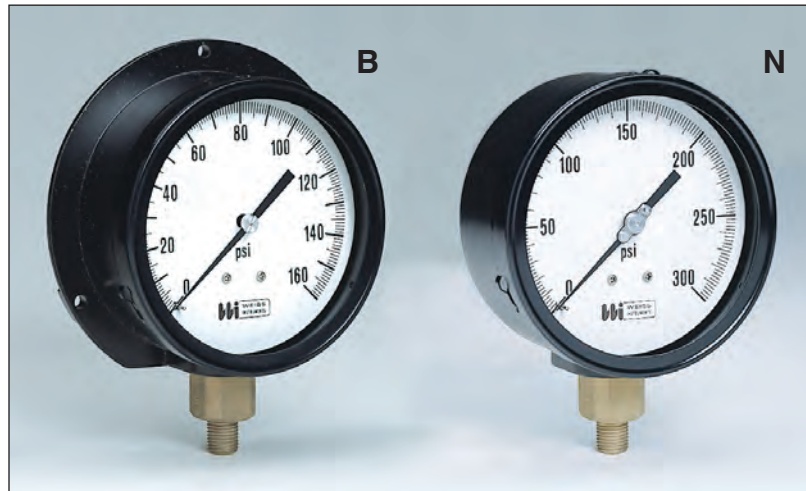
Weiss 4 1/2" CTS/CTA Pressure Gauges are designed to meet the standard specifications for Heating, Cooling and Air Conditioning applications. The CTS has a stainless steel case for stem mount and the CTA is an aluminum back flange case for either stem or surface mounting. Both versions conform with ANSI B40.1 accuracy Grade 1A.



- POINTER:** Balanced adjustable aluminum.
- DIAL:** White coated metal, lithographed with black graduation lines and numerals.
- MOVEMENT:** Brass construction.
- BOURDON TUBE & SOCKET:** Phosphor bronze bourdon. Brass stock socket 9/16" square wrench surface and 1/4" NPT lower connection. Soft-soldered construction.

PRESSURE			COMPOUND		
RANGE	GRADUATIONS	FIG. INTERVAL	RANGE	GRADUATIONS	FIG. INTERVAL
0-15	0.2	1	30-0-15*	1" Hg.-0.5p	10" Hg.-5p
0-30	0.5	5	30-0-30	1" Hg.-0.5p	10" Hg.-10p
0-60	1	5	30-0-60	1" Hg.- 1p	10" Hg.-10p
0-100	1	10	30-0-100	2" Hg.- 1p	30" Hg.-20p
0-160	2	20	30-0-150*	2" Hg.- 2p	30" Hg.-20p
0-200	2	20	30-0-300*	10" Hg.- 5p	30" Hg.-50p
0-300	5	50			
0-400	5	50			

*In the 4CTA-1 Gauge these ranges are not available.



The Weiss Series 088 Gauges are ideal for use on boilers, compressors, pumps, and any industrial applications that require a heavy duty internal gauge. Our 4 1/2" case styles have a glass window, solid back with safety blow out disc standard. Available in two case styles—Style B: Aluminum Back Flange and Style N: Aluminum No Flange, all have 1/4" NPT lower mount connection. Optional 1/2" NPT available.

TO SPECIFY					
SIZE	CAT. NO.	CASE STYLE	NPT	MOUNT	RANGE
4 1/2"	4PG-1	B - Back Flange	1/4"	LM*	—
4 1/2"	4UG-1	N - No Flange	1/4"	LM	—
Ex: 4PGN-1 1/4" LM 0-160psi			*LM - Lower Mount		

CAT. NO.	POINTER	RANGE LIMITS	BOURDON TUBE	MOVEMENT	SOCKET	ACCURACY
PG-1	SLOTTED ADJUSTABLE	VACUUM THRU 0-600 psi	"C" PHOSPHOR BRONZE SILVER BRAZED JOINTS	BRASS BUSHED ROTARY	BRASS	1% ANSI GRADE A
UG-1	MICROMETER ADJUSTABLE	VACUUM THRU 0-600 psi	"C" PHOSPHOR BRONZE SILVER BRAZED JOINTS	STN. STL. BUSHED ROTARY	BRASS	1/2 of 1% ANSI GRADE 2A

PRESSURE			COMPOUND		
RANGE	GRADUATIONS	FIG. INTERVAL	RANGE	GRADUATIONS	FIG. INTERVAL
0-15	0.1	1	30-0-15	0.5" Hg.- 0.2p	5"Hg.-3p
0-30	0.2	5	30-0-30	1" Hg.-0.5p	10" Hg.- 5p
0-60	0.5	5	30-0-60	1" Hg.- 1p	10" Hg.-10p
0-100	1	10	30-0-100	2" Hg.- 1p	10" Hg.-10p
0-160	1	20	30-0-150	5" Hg.- 2p	10"Hg.- 20p
0-200	2	20	30-0-300	5" Hg.- 2p	30"Hg.- 25p
0-300	2	50			
0-400	5	50			
VACUUM					

The 4 1/2" Process Gauge is designed for those severe service applications where operator safety is a factor. This solid front gauge is equipped with a solid wall separating the indicating dial from the bourdon tube and a blow-out back which will release from the case if the bourdon tube should rupture.

Available with phosphor bronze/brass, 316 stainless steel or monel internals, liquid-filled or dry construction, this gauge is ideally suited for the requirements of the Process, Power and Chemical Industries. This high quality gauge offers the benefit of field filling without any additional kits or accessories.



NF4UGY1

NF4UGY1 NON-FILLED / LF4UGY1 LIQUID FILLED

- SOCKET:** Brass
- BOURDON TUBE:** Phosphor bronze - C tube to 600 psi. AISI 316 stainless steel coiled tube 1000 psi and above.
- CONNECTING JOINTS:** Silver brazed
- MOVEMENT:** Bushed stainless steel
- DIAL:** White aluminum, black & red markings (psi & kPa)
- POINTER:** Black aluminum, micrometer adjustable
- CASE:** Black reinforced thermoplastic fiberglass
- WINDOW:** Acrylic
- RING:** Reinforced polypropylene
- GASKETS:** Ethylene propylene
- ACCURACY:** 0.5% ASME B40.1 Grade 2A
- CONNECTIONS:** 1/4" or 1/2" NPT lower
- CAT. NO. LF4UGY1:** Lower connection only.

NF4UGY2 NON-FILLED / LF4UGY2 LIQUID FILLED

- SOCKET:** AISI 316 stainless steel
- BOURDON TUBE:** AISI 316 S.S. - C tube to 600 psi. Coiled tube 1000 psi and above.
- CONNECTING JOINTS:** Welded
- MOVEMENT:** Bushed stainless steel
- DIAL:** White aluminum, black & red markings (psi & kPa)
- POINTER:** Black aluminum, micrometer adjustable
- CASE:** Black reinforced thermoplastic fiberglass
- WINDOW:** Acrylic
- RING:** Reinforced polypropylene
- GASKETS:** Ethylene propylene
- ACCURACY:** 0.5% ASME B40.1 Grade 2A
- CONNECTIONS:** 1/4" or 1/2" NPT lower or lower back
- CAT. NO. LF4UGY2:** Lower connection only.

PRESSURE			COMPOUND		
RANGE	GRADUATIONS	FIG. INTERVAL	RANGE	GRADUATIONS	FIG. INTERVAL
0-15	0.1	1	30-0-15	0.5" Hg.-0.2p	5" Hg.-3p
0-30	0.2	5	30-0-30	1" Hg.-0.5p	10" Hg.-5p
0-60	0.5	5	30-0-60	1" Hg.-1p	10" Hg.-10p
0-100	1	10	30-0-100	2" Hg.-1p	10" Hg.-10p
0-160	1	20	30-0-150	5" Hg.-2p	10" Hg.-20p
0-200	2	20	30-0-300	5" Hg.-2p	30" Hg.-25p
0-300	2	50			
0-400	5	50			
0-600	5	50			
0-800	10	100			
0-1000	10	100			
0-1500	10	200			
0-2000	20	200			
0-3000	20	500			
0-5000	50	500			
0-10000	100	1000			
0-20000	200	2000			
			VACUUM		
			bar -1-0	0.01	0.1
			kPa -100-0	1	10
			30"-0	0.2" In. Hg.	5" In. Hg.



LF251



LF442

Where vibration, corrosion and pulsating conditions exist, the Weiss line of stainless steel cased liquid filled and dry construction industrial pressure gauges are designed to meet the most severe applications. This series of instruments includes a wide range of accuracies, case patterns and construction materials to cover most requirements.

CHOOSE CAT. NO.		PLUS RANGE CODE		PLUS CONNECTION		
INDICATES CONSTRUCTION		RANGE CODE		SIZE & LOCATION		
CAT. NO.	DIAL SIZE	INTERNALS	RANGE CODE	RANGE - psi	kPa	
LIQUID FILL			015	0-15	0-100	4L = 1/4" Lower
LF251	2 1/2"	Bronze	030	0-30	0-200	4B = 1/4" Back
LF252	2 1/2"	316S.S.	060	0-60	0-400	
LF441	4"	Bronze	100	0-100	0-700	2L = 1/2" Lower
LF442	4"	316S.S.	160	0-160	0-1100	2B = 1/2" Back
LF602	6"	316S.S.	200	0-200	0-1400	
			300	0-300	0-2100	
DRY			400	0-400	0-2800	
NF252	2 1/2"	316S.S.	600	0-600	0-4200	
NF401	4"	Bronze	1000	0-1000	0-7000	
NF402	4"	316S.S.	1500	0-1500	0-10,000	
NF601	6"	Bronze	2000	0-2000	0-14,000	
NF602	6"	316S.S.	3000	0-3000	0-21,000	
			5000	0-5000	0-40,000	
			6000	0-6000	0-42,000	
			10000	0-10,000	0-70,000	
			15000	0-15,000	0-100,000	
			20000	0-20,000	0-140,000	
			VAC	0-30" HG	-100-0	
			V30	30"-0-30	-100-200	
			V60	30"-0-60	-100-400	
			V100	30"-0-100	-100-700	
			V150	30"-0-150	-100-1000	
			V200	30"-0-200	-100-1400	
			V300	30"-0-300	-100-2100	

Ex: LF251 – 100 – 4L

Panel Mounting Case Styles available - see Catalog SSG-9/13

Designed for pressures below 15 psi, the Weiss Diaphragm Gauge offers an instrument highly sensitive yet durably constructed. Furnished in black drawn steel cases. Available in 2 1/2" dial size and 1/4" NPT lower or center back connected.

CASE: Black drawn steel, with twist lock polycarbonate window. **DIAPHRAGM:** Copper alloy.

SOCKET: Brass, 1/4" NPT lower or center back connection. **MOVEMENT:** Brass.

DIAL: White coated metal lithographed with black graduations lines and numerals.

POINTER: Balanced design, aluminum in black finish.



SERIES & TYPE	+		RANGE CODE		+		CONNECTION
	TYPE	CODE	RANGE				
DG25C Combination Pressure Dial	C	100	100"WP&60 oz/in				4L (1/4" NPT Lower)
DG25P Pressure Dial	C	145	35"WP&20 oz/in				4B (1/4" NPT Back)
DG25V Vacuum Dial	C	015	15"WP&9 oz/in				
	P	003	0-3 PSI				
	P	005	0-5 PSI				
	P	010	0-10 PSI				
	P	015	0-15 PSI				
	P	030	0-30" WP				
	P	060	0-60" WP				
	P	100	0-100" WP				
	V	030	30-0" WV				
	V	060	60-0" WV				
	V	100	100-0" WV				

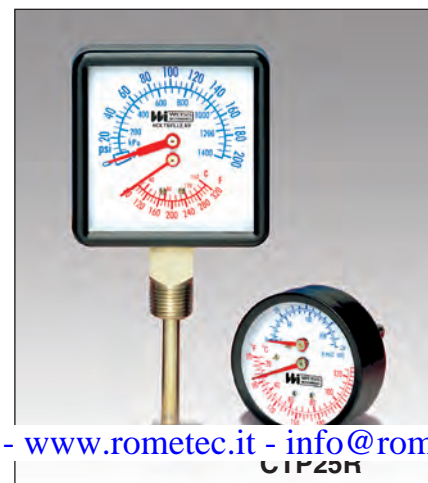
Ex: DG25P-005-4L Pressure Dial 0-5 PSI, 1/4" NPT Lower Connection

PRESSURE			COMBINATION		INNER SCALE		OUTER SCALE	
RANGE	GRADUATIONS	FIG. INTERVAL	IN. WATER OUTER SCALE	OZ. WATER INNER SCALE	GRADS	FIGURE INTERVAL	GRADS	FIGURE INTERVAL
0-3 psi	0.05	0.5	0-35	0-20	0.5	5.0	0.5	5.0
0-5 psi	0.1	1.0	0-15	0-9	0.2	1.0	0.2	3.0
0-10 psi	0.1	1.0	0-60	0-35	1.0	5.0	1.0	10.0
inch/water								
0-15	0.2	3.0						
0-30	0.5	5.0						
0-60	1.0	10.0						
0-100	1.0	10.0						
oz.-sq. in.			VACUUM - in water vac.					
0-10	0.1	1.0	RANGE	GRADUATIONS	FIG. INTERVAL			
0-15	0.2	3.0	30-0	0.5	5.0			
0-30	1.0	5.0	60-0	1.0	10.0			
0-100	1.0	10.0	100-0	1.0	10.0			

TRI-O-METERS

The Weiss Tri-o-meter is designed for use on all types of hot water heating systems. One instrument reads the water pressure, water temperature and system head in feet of H₂O. Available in 2 1/2" dial with 1/4" NPT rear connection and 3 1/2" dial with 1/2" NPT lower or rear connected.

Series C	0-75 psi & Ft. of H ₂ O	60-260 F&C
H	0-200 psi & kPa	80-320 F&C
CAT. NO.	DESCRIPTION	
CTP25R	1/4" NPT Rear	
CTP25RX	1/4" NPT Rear x 2" Extension	
CTP40RSX	1/2" NPT Rear	
CTP40L	1/2" NPT Lower	
HTP40RSX	1/2" NPT Rear	
HTP40L	1/2" NPT Lower	





CASE SIZE & MATERIAL - 5" Hermetically Sealed St.St.
RANGE -50 to 300°F (-45 to 150°C) with F/C switch
ACCURACY - 1%
WINDOW - Glass / Acrylic / Shatterproof Glass
LUX RATING - 10 Lux (one foot candle)
DISPLAY - 1/2" LCD Digits
RESOLUTION - 0.1°F between -19.9/199.9°F (-20/93°C)
AMBIENT OPERATING -30/140°F (-35/60°C)
AMBIENT TEMPERATURE ERROR - Zero
SENSOR - Glass Passivated Thermistor
RESET - Internal Potentiometer
STEM - Bimetal: 1/4" Diameter with Fixed 1/2" NPT
 Ind. Glass: 7/16" Tapered with 1 1/4"-18 jam nut
CONFORMANCE - ASME B40.3

© Vari-angle is a registered trademark of Weiss Instruments, Inc.

5" BIMETAL DIAL			5" INDUSTRIAL		
Catalog No. 5" Vari-angle	Stem Length (incl. thread)	NPT	Catalog No. 5" Vari-angle	Stem Length (incl. thread)	Thread
5DVBM25	2 1/2"	1/2"	5DVU35	3 1/2"	1-1/4 - 18
5DVBM4	4"	1/2"	5DVU6	6"	1-1/4 - 18
5DVBM6	6"	1/2"	5DVU9	9"	1-1/4 - 18
5DVBM9	9"	1/2"	5DVU12	12"	1-1/4 - 18
5DVBM12	12"	1/2"			

TEMPERATURE SWITCH GAUGES

The Weiss Series TSG, Temperature Switch Gauge, offers an exceptional blend of industrial strength performance with unequaled accuracy. The rugged direct drive gearless movement is highly resistant to shock and vibration, provides many years of trouble free operation even in harsh environments. The ambient temperature error is the lowest in the industry complying with the highest grade ASME B40.4 Class 4A.



Secured inside the rugged case are up to 5 (4 standard) single and double throw 10 amp switches for enabling a variety of switching functions. The thermal system is filled with inert nitrogen, is non-toxic and unaffected by the height location of the sensor bulb to the case. The Weiss TSG is an excellent choice for many types of Industrial and Process applications.

Ordering Chart on the following page.

TEMPERATURE SWITCH GAUGES

Rometec srl - www.rometec.it - info@rometec.it - Rometec srl - www.rometec.it - info@rometec.it

	MODEL	DESCRIPTION	MOUNTING
I	TSG60B TSG60K TSG60S TSG60X	Bracket Mount (Standard) Back Flange Front Flange Explosion Proof (3 Switch Max.)	Surface Surface Panel Surface
II	MH SG	WINDOW Maximum Register Indicator (Standard) Safety Glass	
III	1S 2S 3S 4S 5S	SWITCHES 1 Switch 2 Switch 3 Switch 4 Switch 5 Switch	
IV	HC TB	ELECTRICAL CONNECTION Harness Connection Terminal Block (Standard on Explosion Proof Case)	
V	X6 X7 X8 Y6 Y7 Y8 91 92 93 94 95 95 RTD	THERMAL SYSTEM 3" 316SS Bulb, 302SS Spiral Interlocking Armor to 39 Ft. 1/2" NPT Compression, 316SS Bendable Extension. 3" x 3/8" Bulb 6" Extension 3" x 3/8" Bulb 12" Extension 3" x 3/8" Bulb 18" Extension 6" 316SS Bulb, 302SS Spiral Interlocking Armor 40 Ft./Up 1/2" NPT Compression, 316SS Bendable Extension. 6" x 3/8" Bulb 6" Extension 6" x 3/8" Bulb 12" Extension 6" x 3/8" Bulb 18" Extension 7/8"- 14 UNF Nut. Copper Bulb , 302SS Spring Armor (40 Ft. Max) 4" x .480 Bulb 5 13/16" Extension 4" x .480 Bulb 6 3/8" Extension 4" x .480 Bulb 9 11/16" Extension 4" x .480 Bulb 12" Extension Adjustable 7/8"- 14 UNF Nut. Copper Bulb , 302SS Spiral Interlocking Armor. 4.0" x .480 Bulb 4.5" x .480 Bulb w/ RTD Sensor	
VI		SERVICE MARKING Winding Liquid Weiss	
VII		CAPILLARY LENGTH XX Ft. (12 Ft. Standard)	

SPECIFICATIONS

CASE - Nominal 6" diameter 304 Stainless Steel Case with bayonet ring available in Bracket, Back Flange and Front Flange mounting configurations. Heavy duty cast aluminum case with threaded bulletproof window for explosion proof version.

WINDOW - Lexan (standard) with maximum register indicator.

ACCURACY 1.5% of range span.

RANGES - From -320 to 1000°F, standard ranges available in °F, °C and dual scale F&C, with 180 degree arc dials.

OVERRANGE - Up to 50% depending on range.

PROCESS CONNECTION - Industry standard 3/8" diameter 316 stainless steel bulb with bendable extension and with sliding union bulb fits standard 3/8 bore thermowells. Copper bulbs with standard .480" dia. bulb and 7/8"- 14 UNF thread for power transformer applications.

CAPILLARY - 316 SS

CAPILLARY PROTECTION - 302 SS Spiral Interlocking Armor to 150 Ft.
302 SS Spring Armor to 40 Ft.

ACTUATION - Enhanced gas filled as per ASME B40.4 Class 4A with low volume NiSpan C® direct drive spiral bourdon tube providing very low ambient temperature effect without the need for bimetallic compensation.

SWITCH RATING - Up to 5 switches (4 standard) 10 amp at 125/250 Vac, non inductive: 1/4 amp at 250 VDC, non inductive.

SWITCH CONNECTIONS - Harness connection has 14 pin weatherproof twist lock, military grade. Explosion Proof Case has heavy duty terminal block connection as standard.

SWITCH POINT TEST - An internal spring mechanism allows the pointer to be rotated up the scale to test the switch actuation.

SWITCH DIFFERENTIAL - 2% of span.

OFFSET ADJUSTMENT - Standard.

EXAMPLE FOR OBTAINING COMPLETE CATALOG NUMBER FROM CODES - SERIES TSG

CODE I (MODEL)	CODE II (WINDOW)	CODE III (SWITCHES)	CODE IV (ELEC. CONN.)	CODE V (THERMAL SYSTEM)	RANGE	CODE VI (SERVICE MRK'G)	CODE VII (CAPILLARY LGTH)
TSG60B	MH	4S	HC	X7	20-140 C	WEISS	12 FT
							12FT. STANDARD

- 1) Ex: TSG60B - MH - 4S - HC - X7
- 2) Choose a Temperature Range from Range Table.
- 3) Choose a Service Marking or Weiss Nameplate only.
- 4) Capillary Length

Rometec srl - www.rometec.it - info@rometec.it - Rometec srl - www.rometec.it - info@rometec.it

CODE	CATALOG NO.	DESCRIPTION				
I	DV25	CASE SIZE 2 1/2" Case 3 1/2" Case 4 1/2" Case				
	DV35					
	DV45					
II	F	CASE TYPE Case Size Front Flange, Flush Mount 2 1/2" U Clamp, Flush Mount 2 1/2" Back Flange, Surface Mount 2 1/2", 3 1/2", 4 1/2" Frt Flange, Bayonet Ring, Semi-Flush Mnt. 3 1/2" U Clamp, Semi-Flush Mount 3 1/2" U Clamp, Flush Mount 3 1/2" Vari-angle, Direct Mount 3 1/2", 4 1/2" Semi-flush, Panel Mount 3 1/2", 4 1/2" Back Flange, Bayonet Ring, Stl. Steel 3 1/2", 4 1/2" Adjustable Bracket, Remote Mnt, Stl. Steel 3 1/2", 4 1/2"				
	U					
	B					
	S					
	J					
	Q					
	V					
	R					
	K					
	Z					
III	A	CASE CONNECTION Adjustable Back Connection Lower Connection				
	B					
	L					
IV	3	CASE WINDOW Snap in Lexan with "O" Ring (F,U,Q,V,B,R) Stainless Steel Ring & Glass (2 1/2" U,F - 3 1/2" J,K,S) Chrome Plated Brass, Glass (Q case only) Crimped Ring, Stl. Steel, Plastic or Glass-Waterproof (U) Threaded One Piece Lexan (F, U)				
	4					
	5					
	8					
	9					
V	0	THERMAL SYSTEM				
	1					
	3					
	4					
	6					
	6					
VI	1 2 3 6 8*	BULB SELECTION		Max. System Len.		
		Thermal System Union Conn.			Thermal System Plain Bulb	
		Dia.	Length		Dia.	Length
		7/16	2.5"		N.A.	N.A.
		7/16	3.4"		3/8	3.4
		7/16	5.4"		3/8	5.9
N.A.	N.A.	3/8	2.5			
N.A.	N.A.	1/4	1.8			
VII	1	PROCESS CONNECTION FITTING Union Connection 1/2" NPT Union Connection 3/4" NPT Separable Socket 1/2" NPT Separable Socket 3/4" NPT Air Duct Flange, Union Conn., Aluminum only Plain bulb, no fitting *N Nickel-Plated Brass *S Stainless Steel				
	2					
	3					
	4					
	7					
	9					
	*N					
	*S					
VIII	1	PROCESS CONNECTION MATERIAL Brass 304 Stainless Steel 316 Stainless Steel Aluminum (Air Duct Flange only) None - Plain Bulb *B Brass *S Stainless Steel *only with No. 8 Bulb.				
	2					
	3					
	5					
	0					
	*S					
---	SYSTEM LENGTH SPECIFYING 9B - Use F1 for feet.					

CASE SIZES - 2 1/2", 3 1/2", 4 1/2" Stainless Steel
RANGE -50 to 300°F (-45 to 150°C) with F/C switch
ACCURACY - 1%
WINDOW - Acrylic / Glass
LUX RATING - 10 Lux (one foot candle)
DISPLAY - 1/2" LCD Digits
STEM - 7/16" Diameter 5/8"-18 Jam Nut for NPT fittings
 3/8" Diameter for Plain bulbs
RESET - Internal Potentiometer
RESOLUTION - 1/10% between -19.9/199.9°F (-20/93°C)
AMBIENT OPERATING -30/140°F (-35/60°C)
AMBIENT TEMPERATURE ERROR - Zero
SENSOR - Glass Passivated Thermistor
CONFORMANCE - ASME B40.4



DV45VA3 - Vari-angle, Direct Mount



DV45BL3 - Back Flange, Lower Mnt.

DV45BB3 - Back Flange, Back Mount



DV45RB3 - Semi-flush, Panel Mnt.



DV35QB5 - U-Clamp, Panel Mount



CODE	CATALOG NO.	DESCRIPTION																				
I	DG35 DG45	CASE SIZE 3 1/2" Case 4 1/2" Case																				
II	B E F S U V K	CASE TYPE & MATERIAL Back Flange, Aluminum - 4 1/2" only Turret, Polypropylene* - 4 1/2" only Front Flange, Aluminum - 4 1/2" only Front Flange, Semi Flush, Bayonet Ring, St. St. - 3 1/2", 4 1/2" U-Clamp, Bayonet Ring, Stainless Steel - 4 1/2" only Vari-angle®, Stainless Steel - 4 1/2" only Back Flange, Bayonet Ring, St. St. - 3 1/2", 4 1/2" *Flush Mounting Ring available as Accessory																				
III	B L A	CASE CONNECTION Back Connection Lower Connection - (Not available on 3 1/2" K Case) Adjustable																				
IV	3 4 5	CASE WINDOW Acrylic Glass Shatterproof Glass - 4 1/2" only																				
V	0 1 X	THERMAL SYSTEM <table border="1"> <thead> <tr> <th>Bulb Type</th> <th>Bulb Material</th> <th>Capillary Material</th> <th>Capillary Protection</th> </tr> </thead> <tbody> <tr> <td>Vari-angle</td> <td>316 S.S.</td> <td>—</td> <td>—</td> </tr> <tr> <td colspan="4">(Furnished with 1/2" NPT S.S. Swivel)</td> </tr> <tr> <td>Plain</td> <td>316 S.S.</td> <td>316 S.S.</td> <td>S.S. Spiral Armor</td> </tr> <tr> <td>Sliding Union</td> <td>316 S.S.</td> <td>316 S.S.</td> <td>S.S. Spiral Armor</td> </tr> </tbody> </table>	Bulb Type	Bulb Material	Capillary Material	Capillary Protection	Vari-angle	316 S.S.	—	—	(Furnished with 1/2" NPT S.S. Swivel)				Plain	316 S.S.	316 S.S.	S.S. Spiral Armor	Sliding Union	316 S.S.	316 S.S.	S.S. Spiral Armor
Bulb Type	Bulb Material	Capillary Material	Capillary Protection																			
Vari-angle	316 S.S.	—	—																			
(Furnished with 1/2" NPT S.S. Swivel)																						
Plain	316 S.S.	316 S.S.	S.S. Spiral Armor																			
Sliding Union	316 S.S.	316 S.S.	S.S. Spiral Armor																			
VI	1 4 6 9 X 7 8	BULB SELECTION Plain Bulb - Remote Dia. Length 3/8 2.5" (Active) + 10" Rigid Ext. Vari-angle bulb Dia. Length To fit Thermowell with: OA Len. U Insertion 3/8 4" 4.25" 2.5" 3/8 6" 6.25" 4.5" 3/8 9" 9.25" 7.5" 3/8 12" 12.25" 10.5" Sliding union connection bulb with bendable extension Dia. Length Ext. Union Insertion Len. Thermowell - U 7 3/8 2.5"(Active) 12" 3 to 12" 2.5 to 10.5" 8 3/8 2.5"(Active) 18" 3 to 18" 2.5 to 16.5"																				
VII		SYSTEM LENGTH SPECIFYING 9A - Use 2 digits: EX. 05, 10, 25 for length required. 9B - Use FT for feet.																				

CASE SIZES - 3 1/2" and 4 1/2"

RANGE -50 to 300°F (-45 to 150°C) with F/C switch

ACCURACY - 1%

WINDOW - Acrylic / Glass / Shatterproof Glass

LUX RATING - 10 Lux (one foot candle)

DISPLAY - 1/2" LCD Digits

RESOLUTION - 1/10% between -19.9/199.9°F (-20/93°C)

AMBIENT OPERATING -30/140°F (-35/60°C)

AMBIENT TEMPERATURE ERROR - Zero

SENSOR - Glass Passivated Thermistor

RESET - Internal Potentiometer

STEM - 3/8" Diameter

Sliding Union (1/2" NPT) on bendable extension

Direct Mount Vari-angle (1/2" NPT)

Plain Bulbs

CONFORMANCE - ASME B40.4

DG45BL4

Back Flange, Surface Mount, Aluminum



DG45UB4

U-Clamp, Bayonet Ring, St. St.



DG45KB4

Back Flange, Bayonet Ring, St. St.



DG45VA4 - Vari-angle, St. St.





STYLE CODE	HOUSING MATERIAL CODE	HOUSING MATERIAL	NPT CODE	NPT	PSI RATING AT 70°F
PSN	B	Brass	25	1/4"	1,500 psi
	S	303 S.S.	50	1/2"	1.500 psi

POROSITY SYMBOL CODE	TYPE OF SERVICE	PORE OPENING MEAN	PORE OPENING MAX.
E	Water and Light Oil (30 to 225 SSU*)	.0013	.0025
D	Oil (225 to 500 SSU)	.0025	.005
G	Air and other Gases	.0004	.0009

*SSU - Saybolt Seconds Universal Viscosity

For complete Catalog No. use Coding from Table 1 & 2. **EX: PSN-B-25-E** = Brass Housing 1/4" NPT, E Porosity Disc.

CAT. NO.	SIZE	MATERIAL	RATING
25NVBR	1/4" NPTF X 1/4" NPTF	Brass	600 psi & 300°F
25NVSS	1/4" NPTF X 1/4" NPTF	304S.S.	4000 psi & 150°F
50NVBR	1/2" NPTF X 1/2" NPTF	Brass	600 psi & 300°F
50NVSS	1/2" NPTF X 1/2" NPTF	304S.S.	4000 psi & 150°F

CAT. NO.	SIZE	MATERIAL	RATING
SY-14S	1/4" NPTM x 1/4" NPTM	Iron	300 psi & 300°F
SY-14B	1/4" NPTM x 1/4" NPTM	Brass	400 psi & 300°F

NOTE: Angle Syphon available 1/4" NPTM x 1/4" NPTM Brass - **Model ASY-14B** Iron - **Model ASY-14S**
All Syphons Schedule 40. Schedule 80 available on request.

CAT. NO.	SIZE	MATERIAL	RATING
TC-14	1/4" NPTF x 1/4" NPTF	Brass	200 psi Hydraulic
TC-34	3/4" NPTF x 3/4" NPTF	Brass	200 psi Hydraulic
MTC-14	1/4" NPTF x 1/4" NPTM	Brass	200 psi Hydraulic
LC-14	1/4" NPTF x 1/4" NPTF	Brass	200 psi Hydraulic
LC-12	1/2" NPTF x 1/2" NPTF	Brass	200 psi Hydraulic
BTC-12	1/2" NPTF x 1/2" NPTF	Forged Brass	150 lb. Steam
BTC-14	1/4" NPTF x 1/4" NPTF	Forged Brass	150 lb. Steam
BMTC-14	1/4" NPTF x 1/4" NPTM	Forged Brass	150 lb. Steam
BLC-12	1/2" NPTF x 1/2" NPTF	Forged Brass	150 lb. Steam
BLC-14	1/4" NPTF x 1/4" NPTF	Forged Brass	150 lb. Steam

CAT. NO.	SIZE	MATERIAL	RATING
BV25	1/4" NPTF x 1/4" NPTF	Chrome Plated Brass	450 psi & 250°F
BV50	1/2" NPTF x 1/2" NPTF	Chrome Plated Brass	450 psi & 250°F
MBV25	1/4" NPTF x 1/4" NPTM	Chrome Plated Brass	450 psi & 250°F

TEMP/PRESSURE TEST PLUGS

Weiss Temperature/Pressure Plugs allows for quick, efficient and accurate testing of hydronic pipe lines throughout HVAC systems. Offered in both norden (blue cap) for hot and chilled water and neoprene (red cap) for natural gas. Our plugs are consistently rated at 1000 psi. The self-sealing core insures long life and continuous service.

CAT. NO.	DESCRIPTION	BODY & CAP	IDN	CAT. NO.	ACCESSORIES	IDN
BP25-NR	1/4" NPT Norden	Brass	90101	TPK	Test Kit	90120
BP25-NP	1/4" NPT Neoprene	Brass	90102	GA18	Gauge Adapter	90125
BP50-NR	1/2" NPT Norden	Brass	90103	PT220	1" Dial Pocket Test 0/220°F	90130
BP50-NP	1/2" NPT Neoprene	Brass	90104	PT105	1" Dial Pocket Test 0/105°F	90110
BP25L-NP	1/4" NPT Neoprene w/ 1 3/4" Lag	Brass	90106	TL25-160-4L	2 1/2" Gauge 0-160 psi	90134



Send for Weiss Literature to match your specific application.



WEISS INSTRUMENTS, LLC.
905 WAVERLY AVE., HOLTSVILLE, NEW YORK 11742
TEL: 631-207-1200 • FAX: 631.207.0900
www.weissinstruments.com

Distributed by:



ADVANCED DESIGN
• Transducer Based Construction
• Rugged Shock & Vibration Resistant

WEISS INSTRUMENTS

Light Powered Digital Process Pressure Gauges

- *IP65 Weatherproof Housing*
- *ASME B40.7 Conformance*
- *User Selector Functions*
- *Optional 4-20 MA Output*
- *<10 Lux Rating*
- *Large Display*



Advanced Technology in Pressure Measurement

The wide acceptance and success of Weiss Light Powered Instruments is attributed to their high level of quality and reliability as well as an understanding about the impractical nature of changing batteries in industrial applications.

©Solar MetriX is a registered trademark of Weiss Instruments, Inc.



LIGHT POWER

GREEN POWER

SPECIFICATIONS - MODEL DUGY3

Case: 4 1/2" Black Glass Reinforced Thermo Plastic (PBTP) Solid Front Construction, Blow Out Back Safety Design, Weatherproof IP65
Window: Acrylic
Sensor: Gold Plated Ceramic, Kalrez® (chemically resistant) O-Ring Seal
Wetted Materials: 316SS
Connection: 1/4" or 1/2" NPT Lower
Ranges: Vacuum to 1,000 psi (See Range Table)
Accuracy: 0.5% Full Scale ASME 40.7 AA (.25% available consult factory)
Ambient Operating: 10 – 140°F (-10–60°C)

DISPLAY

Type: LCD
Lux Rating: <10 (only one foot-candle)
Resolution: 1/4%
Digits: (4) 5/8" High
Update: One second
 Two seconds (under 20 Lux)

USER SELECTOR FUNCTIONS

Left Units Select from 4 units of measure PSI, kPa, KG/CM2 or Bar with corresponding Vacuum
Center Zero Adjustment ± 4 increments
Right Avg. Set reading in average of 1,2,4,8 seconds

316SS Sensor / 316SS Socket 1/4" NPT		316SS Sensor / 316SS Socket 1/2" NPT	
Range	Cat. No.	Range	Cat. No.
15 psi*	DUGY3-015-4L	15 psi*	DUGY3-015-2L
60 psi*	DUGY3-060-4L	60 psi*	DUGY3-060-2L
100 psi*	DUGY3-100-4L	100 psi*	DUGY3-100-2L
200 psi	DUGY3-200-4L	200 psi	DUGY3-200-2L
400 psi	DUGY3-400-4L	400 psi	DUGY3-400-2L
1000 psi	DUGY3-1000-4L	1000 psi	DUGY3-1000-2L

*These Ranges (Items also indicate Vacuum)

HOW TO ORDER – DUGY3 - Range Code - NPT Size - Location - Options

Range	Code	Size	Code	Code
Vac to 15 psi*	015	1/4 Lower	4L	SG
Vac to 60 psi*	060	1/2 Lower	2L	SL
Vac to 100 psi*	100			FM
0-200 psi	200			T
0-400 psi	400			
0-1000psi	1000			

EX: DUGY3-060-4L

OPTIONS

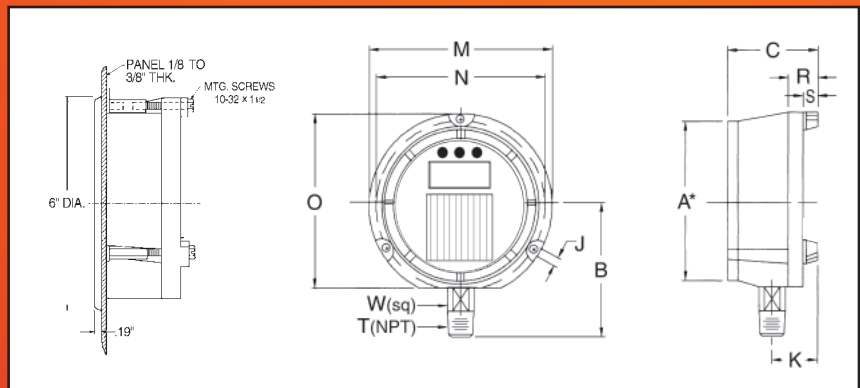
SG-Safety Glass*
SL-Selector Lock-out (No access to settings)
FM-Include Flush Mounting Ring
T - 4-20 MA Output Starts at zero psi to top of Range
 *No Selector Access

Digital Ranges

Vacuum	psi	kPa	KG/CM2	Bar
30" HG*	15	100	1	1
30" HG*	60	400	4	4
30" HG*	100	700	7	7
–	200	1400	14	14
–	400	2800	28	28
–	1000	7000	70	70

*Metric Reads -100 kPa 76 CM/HG -1 Bar

SMX-10/20



	A*	B	C	J	K	M	N	O	R	S	T _{NPT}	W _{sq}
mm	114	103 ¹	82	6.0	38	148	136.5	141	25	12.5	–	22
in	4.5	4.06 ¹	3.23	0.24	1.505	5.83	5.37	5.55	0.98	0.49	1/2"	0.87

A* - Nominal Size. 1 - Gauges with 1/4" NPT connection – dimension changes to 97mm (3.81 in.).

RESOLUTION & ZERO ZONE - MODEL DUGY3

CAT. NO.	RANGE (psi)	VACUUM RESOLUTION (inHg)	PRESSURE RESOLUTION (psi)	ZERO ZONE (psi)
DUGY3-015	-30-0-15	0.20	0.10	0.30
DUGY3-060	-30-0-60	0.50	0.25	0.75
DUGY3-100	-30-0-100	0.05	0.25	1.25
DUGY3-200	0-200		0.50	2.00
DUGY3-400	0-400		1.0	5.0
DUGY3-1000	0-1000		1	10

WEISS INSTRUMENTS

Process Gauges

Diaphragm Seals

Accessories

Specialty Gauges



This Specialty Gauge Catalog illustrates and describes the various pressure gauges available from Weiss Instruments in Solid Front (Safety), Solid Back Liquid-Filled or Dry configuration. These gauges ideally suit the requirements of the Process, Industrial, Power and Chemical Industries and are available with Phosphor Bronze/Brass, 316 Stainless Steel or Monel internals.

Gauge accessories such as: Siphons, Snubbers, Gauge Cocks, Needle Valves, Ball Valves and Diaphragm Seals (to prevent corrosion or clogging of Gauges) are also illustrated.

OPERATING CONDITIONS

Conditions which a pressure gauge will be subjected to are a major factor in choosing the correct indicator for each application. The following points are offered as a guide for the proper selection.

- Where vibration and pulsation exist, the liquid-filled type may be better suited.
- Gauge range should be twice that of the operating range. Additional information can be obtained by reading Pressure Gauge Standard ANSI/ASME B40.1.
- Liquid filled ambient temperature limits – Glycerine 0-150°F / Silicone 50-0-150°F
- Non-filled gauges can withstand continuous service temperatures as high as 300°F, however, excess operating temperatures should be avoided whenever possible since mid-scale accuracy will be affected by approximately 1% per 100°F ambient temperature change.
- Non-filled gauges with stainless steel components and welded joints will withstand higher temperatures for short periods of time, although other internals may be damaged and calibration permanently affected.
- For highly corrosive and/or viscous process media a diaphragm seal may be appropriate to isolate the gauge. Refer to page 11.

TO SPECIFY Ordering Information, see pages 7&8

1) Catalog Number

Dial Size	Series	Case Style	Internal Material
4 - 4 1/2"	AG-Altitude	B-Aluminum, Back Flange	1 - Bronze
6 - 6"	BG-Bellows	N-Aluminum w/o Flange	2 - 316 S.S.
8 - 8 1/2"	DG-Differential	E-Phenolic Turret	5 - Monel
	MG-Ammonia	F-Aluminum, Front Flange	
	PG-Pressure		
	UG-Ultra		
	RG-Refrigeration		
	TP-Duplex		

2) **Dial Range** - See page 9 for available Ranges

3) **NPT Size** - 1/4" or 1/2"

4) **Location of Connection** - Lower Mount (LM) or Lower Back Mount (LBM)

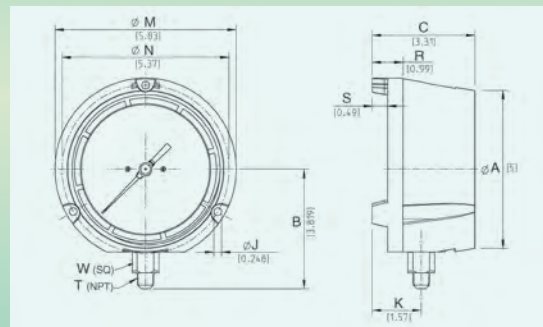
Ex: 6UGB-2 0-100psi 1/4"LM

1/2" PROCESS PRESSURE GAUGES

MOVEMENT - Bushed Stainless Steel Rotary
DIAL - White Aluminum, Black Markings
POINTER - Black Aluminum, Micrometer Adjustable
CASE - Black Fiberglass - Reinforced Thermoplastic (Pocan)
RING - Reinforced Polypropylene
WINDOW - Acrylic
GASKETS - Buna N
ACCURACY - 0.5% ASME B40.1 Grade 2A
CONNECTIONS - Lower 1/4" or 1/2" NPT
 Lower Back 1/4" or 1/2" NPT
 (applies to Y2 and Y5 versions)

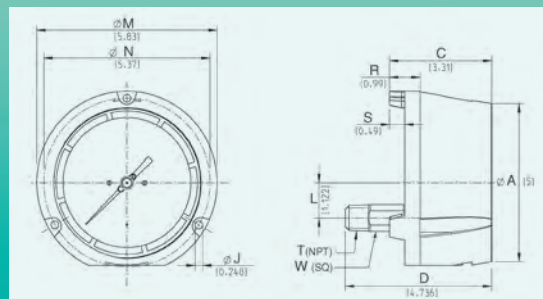


CONSTRUCTION	SOCKET	TUBE	CAT NO.
DRY	BRASS	BRONZE	NF4UGY1
DRY	316L S.S.	316L S.S.	NF4UGY2
DRY	MONEL	MONEL	NF4UGY5
LIQUID FILLED	BRASS	BRONZE	LF4UGY1
LIQUID FILLED	316L S.S.	316L S.S.	LF4UGY2
LIQUID FILLED	MONEL	MONEL	LF4UGY5



	A*	B	C	J	K	M	N	R	S	T NPT	W sq
mm	128	103 ¹	84	6.3	40	148	136.5	25	12.5	—	22
in	5.0	4.06 ¹	3.31	.248	1.57	5.83	5.37	.99	.49	1/2"	0.87

A* - Nominal Size. 1- Gauges with 1/4" NPT connection – dimension changes to 97mm (3.81 in.).



	A*	C	D	J	L	M	N	R	S	T NPT	W sq
mm	128	84	120.3	6.3	28.5	148	136.5	25	12.5	—	22
in	5.0	3.31	4.74	.248	1.12	5.83	5.37	.99	.49	1/2"	0.87

A* - Nominal Size. 1- Gauges with 1/4" NPT connection – dimension changes to 49.5mm (1.94 in.).

STANDARD RANGES

Process Pressure Gauges

PRESSURE – DUAL SCALES

OUTER (PSI)			INNER (KPa)		
Range	Graduations		Range	Graduations	
	minor graduation	figure interval		minor graduation	figure interval
0-15	0.1	2	0-100	1	10
0-30	0.2	5	0-200	2	20
0-60	0.5	5	0-400	5	50
0-100	1	10	0-600	5	100
0-160	1	20	0-1000	10	100
0-200	2	20	0-1200	10	200
0-300	2	50	0-2000	20	200
0-400	5	50	0-2500	20	500
0-600	5	50	0-4000	50	500
0-1000	10	100	0-6000	50	1000
0-1500	10	200	0-10000	100	1000
0-2000	20	200	0-12000	100	2000
0-3000	20	500	0-20000	200	2000
0-4000	50	500	0-25000	200	5000
0-5000	50	500	0-30000	200	5000
0-6000	50	500	0-40000	500	5000
0-10000	100	1000	0-60000	500	10000
0-15000	100	2000	0-100000	1000	10000
0-20000	200	2000	0-120000	1000	20000

VACUUM – DUAL SCALES

OUTER (inHg)			INNER (KPa)		
Range	Graduations		Range	Graduations	
	minor graduation	figure interval		minor graduation	figure interval
30-0	0.2	5	-100-0	1	10

COMPOUND – DUAL SCALES

OUTER (inHg/PSI)					INNER (KPa)				
Range	Graduations				Range	Graduations			
	minor graduation	figure interval	minor graduation	figure interval		minor graduation	figure interval	minor graduation	figure interval
	vacuum (inHg)		pressure (PSI)						
30-0-15	0.5	10	0.2	5	-100-0-100	2	20	2	20
30-0-30	1	10	0.5	5	-100-0-200	2	50	2	50
30-0-60	1	10	0.5	10	-100-0-400	5	50	5	50
30-0-100	2	30	1	20	-100-0-600	5	100	5	100
30-0-150	2	30	1	20	-100-0-1000	10	100	10	200
30-0-200	5	30	2	20	-100-0-1200	20	100	20	200

Solid Back Construction

SERIES UG-1

- SOCKET** - Brass
- BOURDON TUBE** - Phosphor Bronze C Tube to 1000 psi
- CONNECTING JOINTS** - Silver Brazed
- MOVEMENT** - Bushed Stainless Steel Rotary
- DIAL** - White Aluminum, Black Markings
- POINTER** - Black Aluminum, Micrometer Adjustable
- WINDOW** - Glass
- ACCURACY** - 0.5% ASME B40.1 Grade 2A
- CONNECTIONS** - 1/4" or 1/2" NPT, Lower or Lower Back

Available Dial Sizes	Case Styles
4 1/2" Bottom Conn.	B, N
4 1/2" Lower Back Conn.	F
6" Bottom & Back Conn.	B
6" Lower Back Conn.	F
8 1/2" Bottom or Lower Back	B



SERIES UG-2

- SOCKET** - 316 Stainless Steel
- BOURDON TUBE** - 316 S.S. C Tube to 1000 psi
Coiled Tube 1500 psi to 10,000 psi
- CONNECTING JOINTS** - Welded
- MOVEMENT** - Bushed Stainless Steel Rotary
- DIAL** - White Aluminum, Black Markings
- POINTER** - Black Aluminum, Micrometer Adjustable
- WINDOW** - Glass
- ACCURACY** - 0.5% ASME B40.1 Grade 2A
- CONNECTIONS** - 1/4" or 1/2" NPT, Lower or Lower Back

Available Dial Sizes	Case Styles
4 1/2" Bottom Conn.	B, N
4 1/2" Lower Back Conn.	F
6" Bottom & Back Conn.	B
6" Lower Back Conn.	F
8 1/2" Bottom or Lower Back	B



Solid Back Construction

SERIES PG-1

SOCKET - Brass
BOURDON TUBE - Phosphor Bronze C Tube to 1000 psi
CONNECTING JOINTS - Silver Brazed
MOVEMENT - Bushed Brass Rotary
DIAL - White Aluminum, Black Markings
POINTER - Black Aluminum, Slotted Adjustable
WINDOW - Glass
ACCURACY - 1.0% ASME B40.1 Grade 1A
CONNECTIONS - 1/4" or 1/2" NPT, Lower or Lower Back

Available Dial Sizes

4 1/2" Bottom Conn.
 4 1/2" Lower Back Conn.
 6" Bottom & Back Conn.
 6" Lower Back Conn.
 8 1/2" Bottom or Lower Back

Case Styles

B, N
 F
 B
 F
 B



Optional Gauge Features



Flush Mounting Ring



Lazy Hand Assembly



Red Set Hand





Shown with B Case

DIFFERENTIAL GAUGES-SERIES DG-1*

Measures the difference between two independent pressure sources.

FEATURES:

- Brass Sockets-Phosphor Bronze Tubes.
- 1.0% Accuracy ASME B40.1 Grade 1A
- White Aluminum Dial with Black Markings
- Slotted Adjustable Pointer
- Connection 1/4" and 1/2"

Available Dial Sizes	Case Styles
4 1/2" Bottom Conn.	B
6" Bottom Conn.	B

* See pertinent data in available Range Table on page 9.



Shown with B Case

DUPLEX GAUGES - SERIES TP-1

Measures two related pressures on the same dial. Top pointer is orange and the bottom pointer is black.

FEATURES:

- Brass Sockets-Phosphor Bronze Tubes.
- 1.0% Accuracy ASME B40.1 Grade 1A
- White Aluminum Dial with Black Markings
- Pointer-Black Aluminum, Micrometer Adjustable
- Connection 1/4" and 1/2"

Available Dial Sizes	Case Styles
4 1/2" Bottom Conn.	B



BELLOWS GAUGES - SERIES BG-1**

Sensitive bellows element for accurate measurement of pressures below 15 psi.

FEATURES:

- Brass Socket-Phosphor Bronze Bellows.
- 1.0% Accuracy ASME B40.1 Grade 1A
- White Aluminum Dial with Black Markings
- Slotted Adjustable Pointer
- Connection 1/4" and 1/2"

Available Dial Sizes	Case Styles
4 1/2" Bottom Conn.	E

** Also available with 316 S.S. bellows and socket Series BG-2



Shown with B Case

ALTITUDE GAUGES - SERIES AG-1

Reads in both altitude and psi to indicate height of water in tanks (red set pointer provided).

FEATURES:

- Brass Socket-Phosphor Bronze Tube.
- 1.0% Accuracy ASME B40.1 Grade 1A
- White Aluminum Dial with Black Markings
- Slotted Adjustable Pointer
- Connection 1/4" and 1/2"

Available Dial Sizes

4 1/2" Bottom Conn.

Case Styles

B, N



Shown with N Case

REFRIGERATION GAUGES - SERIES RG-1

Reads in both psi and corresponding refrigerant temperature. For R12, R22 and R502

FEATURES:

- Brass Socket-Phosphor Bronze Tube.
- 1.0% Accuracy ASME B40.1 Grade 1A
- White Aluminum Dial with Black Markings
- Slotted Adjustable Pointer
- Connection 1/4" and 1/2"

Available Dial Sizes

4 1/2" Bottom Conn.

Case Styles

B, N



Shown with B Case

AMMONIA GAUGES - SERIES MG-2

Reads in both psi and corresponding ammonia temperature.

FEATURES:

- Stainless Steel Socket and Tube.
- 1.0% Accuracy ASME B40.1 Grade 1A
- White Aluminum Dial with Black Markings
- Slotted Adjustable Pointer
- Connection 1/4" and 1/2"

Available Dial Sizes

4 1/2" Bottom Conn.

Case Styles

B, N

**SERIES
UG-1
UG-2
PG-1
TP-1**

PRESSURE		
PSI	GRADUATIONS	FIGURE INTERVAL
0-15	0.2	1
0-30	0.5	5
0-60	1	10
0-100	1	10
0-160	2	20
0-200	2	20
0-300	5	50
0-400	5	50
0-600	10	100
0-1,000	10	100
0-1,500	20	300
0-2,000	20	200
0-3,000	25	300
0-5,000	50	500
0-10,000	100	1,000
0-20,000	200	2,000
COMPOUND-In. Hg. Vac.-PSI		
30"-0- 15	1" & 0.5	5" & 3
30"-0- 30	1" & 1	10" & 5
30"-0- 60	1" & 1	10" & 10
30"-0-100	5" & 1	15" & 10
30"-0-150	5" & 5	30" & 25
30"-0-200	5" & 5	30" & 20
30"-0-300	5" & 5	30" & 50
30"-0-400	5" & 5	30" & 50
30"-0-600	5" & 10	30" & 100
VACUUM-In. Hg. Vac.		
0-30"	0.5"	5"

**SERIES
BG-1
BG-2**

PRESSURE			
INCH/WATER	GRADS	FIG. INTV.	DIAL ARC
0- 10"*	0.2"	2"	90°
0- 15"	0.5"	5"	90°
0- 20"	1"	2"	180°
0- 30"	1"	5"	215°
0- 40"	1"	5"	270°
0- 60"	1"	5"	270°
0- 80"	1"	10"	270°
0-100"	1"	10"	270°
0- 5 psi	1 oz.	1	270°
0- 10 psi	2 oz.	1	270°
COMPOUND			
10" Water Pres. 10" Water Vac.	0.5"	2"	180°
40" Water Pres. 20" Water Vac.	1"	10"	270°
5 lbs. PSI & 10" Water Vac.	.2 & .1	2" & 1	270°
VACUUM			
0-5" Hg. Vac.	1"	1"	270°
0-10" Hg. Vac.	0.2"	2"	180°
0-40" Water-Vac.	1"	5"	270°

*Not available in BG-2

**SERIES
RG-1**

REFRIGERATION		
INCH/PSI	GRADUATIONS	FIGURE INTV.
30"-0-150	5" & 5	30" & 25
30"-0-300	5" & 5	30" & 25
0-300	5	25
0-500	10	50

Temperature Scale R12, R22,R502

**SERIES
MG-2**

AMMONIA		
INCH/PSI	GRADUATIONS	FIGURE INTV.
30"-0-150	5" & 5	30" & 25
30"-0-300	5" & 5	30" & 25

**SERIES
AG-1**

ALTITUDE		
FEET	GRADUATIONS	FIGURE INTV.
0- 30	0.5	5
0- 70	1	10
0- 100	1	10
0- 160	2	20
0- 200	2	20
0- 300	5	50
COMBINATION		
PSI/Ft.	GRADUATIONS	FIGURE INTV.
15 & 35'	0.2 & 0.5'	3 & 5'
30 & 70'	1 & 1'	5 & 10'
60 & 140'	1 & 2'	10 & 20'
100 & 231'	2 & 5'	10 & 25'
150 & 345'	5 & 5'	25 & 20'
200 & 460'	5 & 5'	20 & 50'
300 & 690'	5 & 10'	25 & 50'

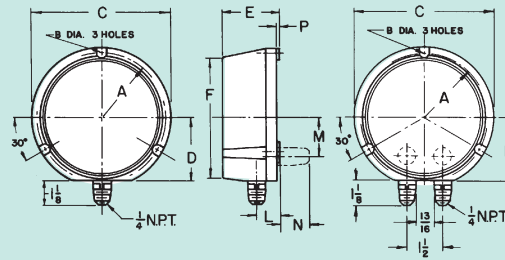
**SERIES
DG-1**

DIFFERENTIAL			
DGC RANGES	GRADS	FIG. INTV.	STATIC PRESSURE LIMITS
30-0- 30	1	5	45
50-0- 50	1	10	75
100-0-100	2	20	150
200-0-200	5	50	300
300-0-300	10	100	350
DGL RANGES	GRADS	FIG. INTV.	STATIC PRESSURE
0- 30	0.5	5	45
0- 60	1	10	90
0- 100	1	10	150
0- 160	2	20	240
0- 200	2	20	300
0- 300	5	50	450
0- 400	5	50	600
0- 600	10	100	600
0- 700	10	100	700
0- 800	10	100	800
0-1,000	10	100	1,000

*Differential Pressure Gauges measure the difference between two separate pressure sources. Dial with "O"

STYLE E - For Wall, Panel or Direct Mounting

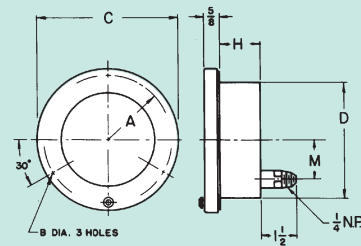
DIAL SIZE	A	B	C	D	E	F	L	M	N	P
4½"	2.69	.22	5.81	2.62	2.37	5.06	.91	1.62	1.62	.062
8½"	4.81	.28	10.25	4.69	2.47	8.97	1.06	2.12	1.62	.062



STYLE F - Black Aluminum with Hinged Ring Front Flange

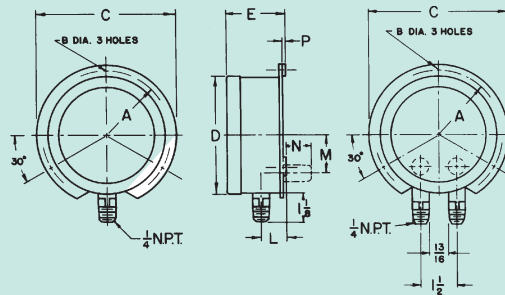
DIAL SIZE	A	B	C	D	H	M	X
4½"	2.69	.22	6	4.81	2.03	1.62	4.87
6"	3.50	.22	7.62	6.34	1.66	1.62	6.47

X - Panel Hole cut-out diameter.



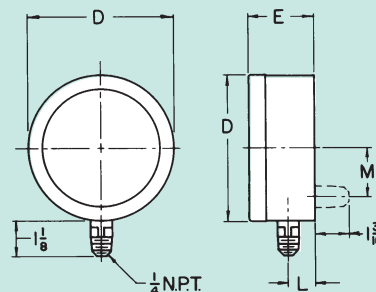
STYLE B - Black Aluminum Case & Twist Ring Back Flange

DIAL SIZE	A	B	C	D	E	L	M	N	P
4½"	2.68	.22x.29	5.87	4.97	2.44	1	1.62	1.62	.156
6"	3.5	.28x.36	7.62	6.47	2.58	1.03	1.62	1.62	.156
8½"	4.81	.28	10.25	8.94	2.94	.97	2.12	1.62	.062



STYLE N - Black Aluminum Case & Twist Ring No Flange

DIAL SIZE	D	E	L	M
4½"	4.97	2.40	.84	1.62





The Weiss line of Diaphragm Seals, in conjunction with Weiss pressure indicators, offers instrumentation that's rugged and carefully calibrated to withstand the most severe industrial, process or OEM service. Our diaphragm seals are available in a variety of metal housing materials and process connection sizes to fit most requirements.

Series DS/DV/DT

Max. Pressure/Temperature Limits: Vacuum thru 2300 psi to 100°F, 1500psi to 200°F, 600 psi to 400°F.

Top Housing: 1/4" or 1/2" NPT (304 S.S. standard)

Diaphragm: 316 L S.S. welded, Viton* or Teflon**

Nuts and Bolts: Stainless Steel

Lower Housing: 1/4" thru 1" NPT

* Viton is furnished for Vacuum, 30 psi and Compound 30-0-15 psi ranges.

** Teflon is available for ranges to 200 psi.

Ranges 0-30" HG, 30-0-15 psi, 30-0-30 psi. Silicone Filling only.

Ordering Code: -DS- DS=316 SS Ex: 25-DS12-50
 A -DV B C D DV=Viton
 -DT DT=Teflon

A. Top Connection

25 = 1/4" NPT
50 = 1/2" NPT

B. Flushing/No Flushing

0 = No flushing conn.
1 = Flushing conn.

C. Lower Housing Mat'l

2 = 316 SS

D. Process Conn.

25 = 1/4" NPT
50 = 1/2" NPT
75 = 3/4" NPT
10 = 1" NPT

LIQUID FILLINGS: Food-Grade Glycerine • Silicone DC200

The Series MD/MN is a compact, lightweight, economical diaphragm seal. The upper and lower housing, as well as the diaphragm, are type 316 stainless steel - all welded together making a one piece integral unit, ideally suited for those applications where space is a factor.

The use of a hermetically sealed, liquid filled pressure gauge in conjunction with either a MD or MN seal protects the indicating gauge from both the process medium and atmospheric conditions, as well as reduces pointer fluctuations due to vibration and pulsation.

Series MD

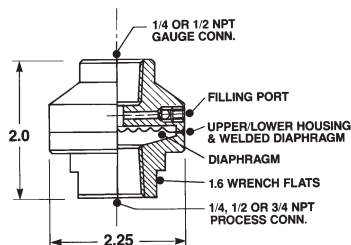
Opr. Pressure: 60 psi thru 1000 psi (minimum scale range 0-100 psi)

Temperature Limits: -5 to 300°F

Top Connection: 1/4" or 1/2" NPT

Process Connection: 1/4", 1/2" or 3/4" NPT

Ordering Code: -MDN2-
 A B
 Ex: 25-MDN2-50



A. Top Connection

25 = 1/4" NP
50 = 1/2" NPT

B. Process Conn.

25 = 1/4" NPT
50 = 1/2" NPT
75 = 3/4" NPT

Series MN

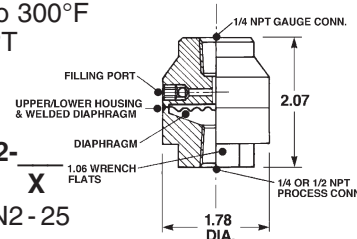
Opr. Pressure: 100 psi thru 1000 psi (minimum scale range 0-200 psi)

Temperature Limits: -5 to 300°F

Top Connection: 1/4" NPT

Process Connection: 1/4" or 1/2" NPT

Ordering Code: 25-MNN2-
 X
 Ex: 25-MNN2-25

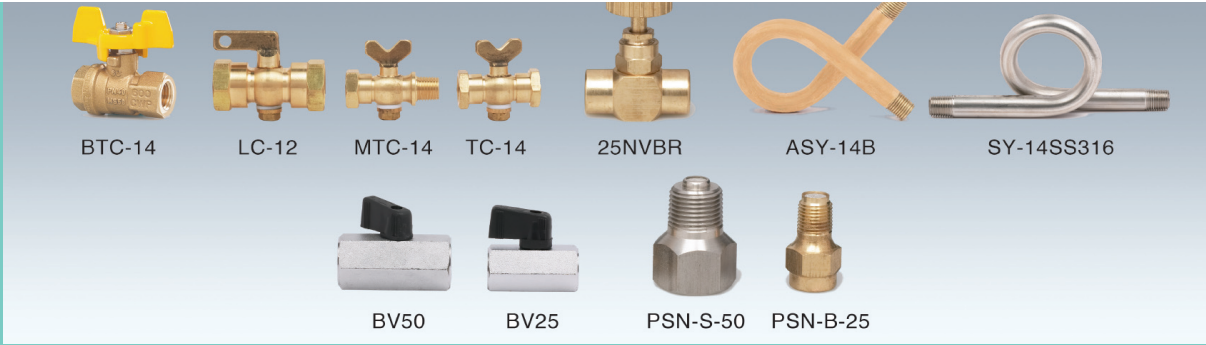


X. Process Connection

25 = 1/4" NPT
50 = 1/2" NPT

GAUGE ACCESSORIES

Rometec srl - www.rometec.it - info@rometec.it - Rometec srl - www.rometec.it - info@rometec.it



FORGED BRASS COCKS

CAT. NO.	SIZE	MATERIAL	RATING
BTC-14	1/4" NPTF x 1/4" NPTF	Brass	200 psi Hydraulic

BRASS GAUGE COCKS

CAT. NO.	SIZE	MATERIAL	RATING
TC-14	1/4" NPTF x 1/4" NPTF	Brass	200 psi Hydraulic
MTC-14	1/4" NPTF x 1/4" NPTM	Brass	200 psi Hydraulic
LC-14	1/4" NPTF x 1/4" NPTF	Brass	200 psi Hydraulic
LC-12	1/2" NPTF x 1/2" NPTF	Brass	200 psi Hydraulic

NEEDLE VALVES

CAT. NO.	SIZE	MATERIAL	RATING
25NVBR	1/4" NPTF X 1/4" NPTF	Brass	600 psi & 300°F
25NVSS	1/4" NPTF X 1/4" NPTF	304S.S.	4000 psi & 150°F

SYPHONS

CAT. NO.	SIZE	MATERIAL	RATING
SY-14S	1/4" NPTM x 1/4" NPTM	Iron	300 psi & 300°F
SY-14B	1/4" NPTM x 1/4" NPTM	Brass	400 psi & 300°F
SY-14SS304	1/4" NPTM x 1/4" NPTM	304SS	430 psi & 800°F
SY-14SS316	1/4" NPTM x 1/4" NPTM	316SS	450 psi & 800°F
ASY-14S	1/4" NPTM x 1/4" NPTM	Iron (Angle)	300 psi & 300°F
ASY-14B	1/4" NPTM x 1/4" NPTM	Brass (Angle)	400 psi & 300°F

All Syphons Schedule 40. Schedule 80 available on request.

PRESSURE SNUBBERS

CAT. NO.	DESCRIPTION	MATERIAL	PSI RATING AT 70°F
PSN-B-25	1/4" NPT	Brass	1,500 psi
PSN-B-50	1/2" NPT	Brass	1,500 psi
PSN-S-25	1/4" NPT	303S.S.	1,500 psi
PSN-S-50	1/2" NPT	303S.S.	1,500 psi

CHROME PLATED BRASS BALL VALVES

CAT. NO.	SIZE	MATERIAL	RATING
BV25	1/4" NPTF x 1/4" NPTF	Chrome Plated Brass	450 psi & 250°F
MBV25	1/4" NPTF x 1/4" NPTM	Chrome Plated Brass	450 psi & 250°F
BV50	1/2" NPTF x 1/2" NPTF	Chrome Plated Brass	450 psi & 250°F

WEISS INSTRUMENTS, INC.
 905 WAVERLY AVE., HOLTSMVILLE, NY 11742
 TEL: 631-207-1200 • FAX: 631.207.0900
www.weissinstruments.com



Rometec srl - www.rometec.it - info@rometec.it - Rometec srl - www.rometec.it - info@rometec.it

Old World Craftsmanship NEW WORLD TECHNOLOGY

Since 1882 • Celebrating 128 Years

WEISS INSTRUMENTS

Fire Protection Sprinkler Service Gauges



Mutual approved for fire protection sprinkler service. The 0-300 psi pressure range is used on "wet" systems where water is available to the sprinkler heads. The 0-80 retard to 250 psi pressure range is used on dry systems where the lines are filled with air pressure until system activation.

SPECIFICATIONS

DIAL SIZE - 3 1/2"

CASE - ABS (POLYCARBONATE)

WINDOW - POLYCARBONATE PUSH-IN

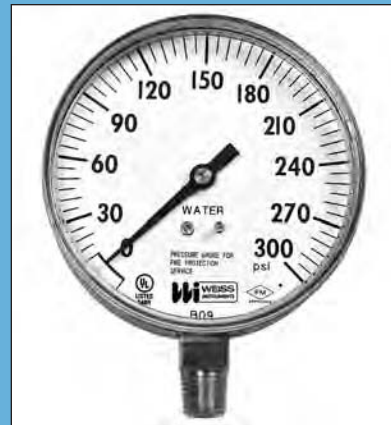
ACCURACY - ASME B40.1 Grade 3-2-3%

TUBE & SOCKET - BRONZE / BRASS

CONNECTION - 1/4" NPT LOWER

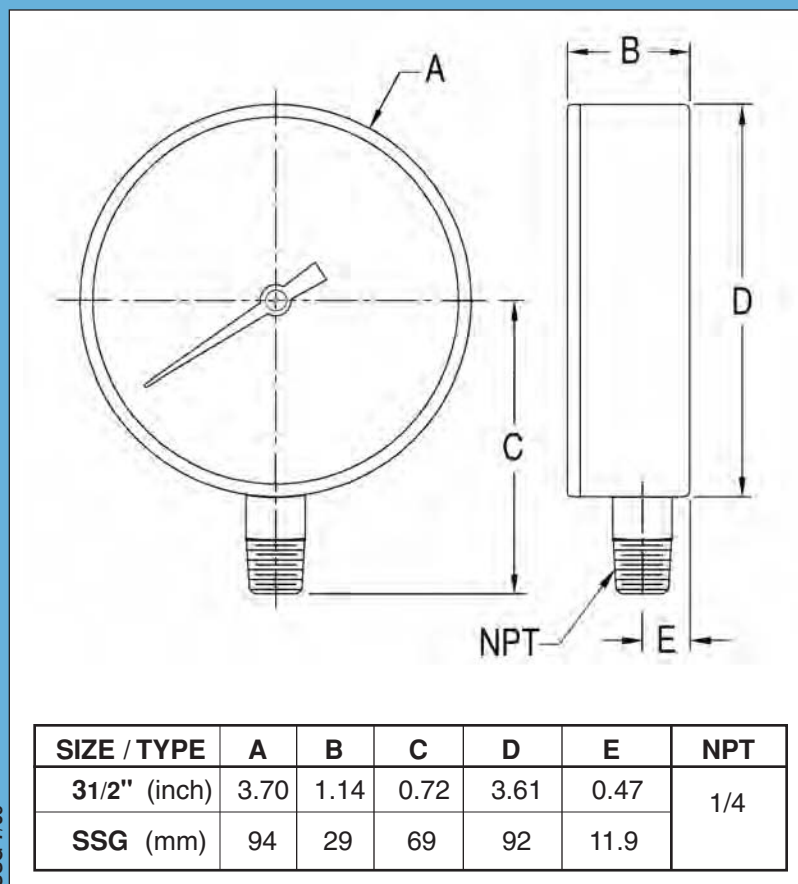
APPROVALS - UL / FACTORY MUTUAL

OPERATING TEMP -40/150°F



Zero Zone indication, a standard feature on these gauges, reduces the potential risk of installing a damaged gauge on your equipment.

CAT NO.	RANGE
SSG-300-4L	0-300 psi (Water)
SSG-080-4L	0-80 Retard to 250 psi (Air)



WEISS INSTRUMENTS

Remote Reading
Direct Mount

Light Powered Digital Thermometers

BiMetal Stem 1/4" ASME B40.3

Vapor Stem 7/16" ASME B40.4

Gas Stem 3/8" ASME B40.4



Weiss Instruments is pleased to introduce our new products. They are the digital versions of our most popular 5VBM Bimet Thermometer, V Series Vapor Dial and G Series Gas Dial Thermometers. The case, stem and thermal system configurations are the same or better except with light powered digital display. They can be considered direct replacements for existing installations and a more modern alternative for new requirements.

Weiss Instruments has been actively engaged in the design, development and manufacture of light powered digital thermometers and pressure gauges for decades. These latest products are a continuation of our lineup of the finest Digital Instruments.

- *Bimetal Type Vari-angle with bimetal and industrial type stems. Both come in the same hermetically sealed case suitable for outdoor use.*
- *Vapor Type Dial Thermometers ranging in size from 2 1/2" to 4 1/2".*
- *Gas Type Dial Thermometers available in 3 1/2" and 4 1/2".*

ALL INCLUSIVE RANGE (-50/300°F -45/150°C). That means that ordering by range is no longer necessary. Order by dial size and system length only. Less items . . . less inventory.

FULL SCALE ACCURACY. The thermometer can be used anywhere within the range. No need to be concerned with the operating temperature.

STAINLESS STEEL SPIRAL INTERLOCKING ARMOR in place of copper braided capillary.

- No ambient error from temperature of the case or system.
- No elevation effect from the bulb being above or below the case.
- .1°F resolution up to 200°F.
- More readable from a distance.
- No reading error from viewing the gauge from any angle.
- No possibility of a slow leak.
- °F/°C Switchable.
- No bulb size restrictions due to system lengths.





CASE SIZE & MATERIAL - 5" Hermetically Sealed St.St.
RANGE -50 to 300°F (-45 to 150°C) with F/C switch
ACCURACY - 1%
WINDOW - Glass / Acrylic / Shatterproof Glass
LUX RATING - 10 Lux (one foot candle)
DISPLAY - 1/2" LCD Digits
RESOLUTION - 0.1°F between -19.9/199.9°F (-20/93°C)
AMBIENT OPERATING -30/140°F (-35/60°C)
AMBIENT TEMPERATURE ERROR - Zero
SENSOR - Glass Passivated Thermistor
RESET - Internal Potentiometer
STEM - Bimetal: 1/4" Diameter with Fixed 1/2" NPT
 Ind. Glass: 7/16" Tapered with 1 1/4"-18 jam nut
CONFORMANCE - ASME B40.3

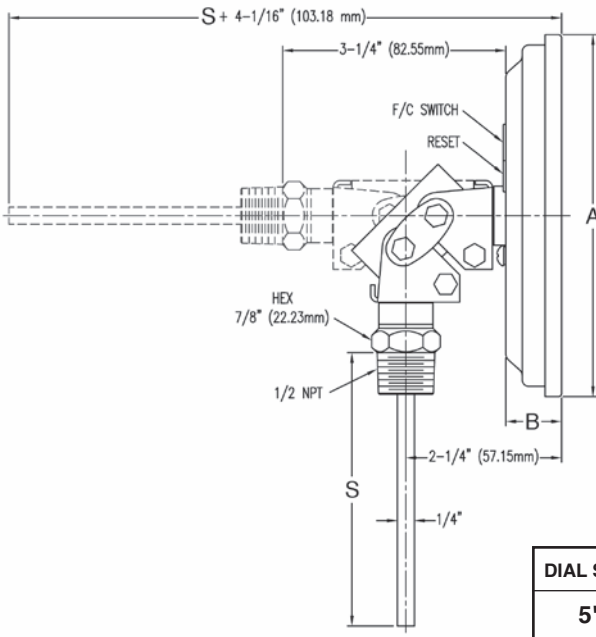
© Vari-angle is a registered trademark of Weiss Instruments, Inc.

5" DIAL BIMETAL STEM		
Catalog No. 5" Vari-angle	Stem Length (incl. thread)	NPT
5DVBM25	2 1/2"	1/2"
5DVBM4	4"	1/2"
5DVBM6	6"	1/2"
5DVBM9	9"	1/2"
5DVBM12	12"	1/2"

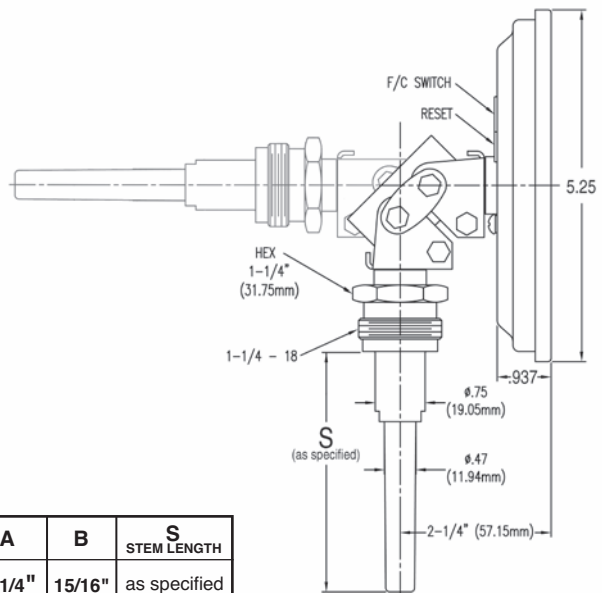
5" DIAL IND. GLASS STEM		
Catalog No. 5" Vari-angle	Stem Length (incl. thread)	Thread
5DVU35	3 1/2"	1-1/4 - 18
5DVU6	6"	1-1/4 - 18
5DVU9	9"	1-1/4 - 18
5DVU12	12"	1-1/4 - 18

Safety Glass option available

5DVBM BiMetal Stem



5DVU35 Industrial Glass Stem



CODE	CATALOG NO.	DESCRIPTION
I	DV25	CASE SIZE
	DV35	2 1/2" Case
	DV45	3 1/2" Case
		4 1/2" Case
II		CASE TYPE
	F	Front Flange, Flush Mount 21/2"
	U	U Clamp, Flush Mount 21/2"
	B	Back Flange, Surface Mount 21/2", 31/2", 41/2"
	S	Frt Flange, Bayonet Ring, Semi-Flush Mnt. 31/2"
	J	U Clamp, Semi-Flush Mount 31/2"
	Q	U Clamp, Flush Mount 31/2"
	V	Vari-angle,® Direct Mount 31/2", 41/2"
	R	Semi-flush, Panel Mount 31/2", 41/2"
	K	Back Flange, Bayonet Ring, Stl. Steel 31/2", 41/2"
	Z	Adjustable Bracket, Remote Mnt, Stl. Steel 31/2", 41/2"
III		CASE CONNECTION
	A	Adjustable
	B	Back Connection
	L	Lower Connection
IV		CASE WINDOW
	3	Snap in Lexan with "O" Ring (F,U,Q,V,B,R)
	4	Stainless Steel Ring & Glass (21/2" U,F - 31/2" J,K,S)
	5	Chrome Plated Brass, Glass (Q case only)
	8	Crimped Ring, Stl. Steel, Plastic or Glass - Waterproof (U)
9	Threaded One Piece Lexan (F, U)	
V		THERMAL SYSTEM
		Bulb Type Bulb Material Wire Protection Max System Length
	0	Union Copper (Vari-angle only) -
	1	Plain Copper None(Wire) 5 Ft.
	3	Plain 316 S.S. Interlock Armor 25Ft.
	4	Union Copper Interlock Armor 25Ft.
6	Union 316 S.S. Interlock Armor 25Ft.	
VI		BULB SELECTION
		Thermal System Union Conn. Thermal System Plain Bulb Max. System Len.
		Dia. Length Dia. Length
	1	7/16 2.5" N.A. N.A. 25Ft.
	2	7/16 3.4" 3/8 3.4 25Ft.
	3	7/16 5.4" 3/8 4.9 25Ft.
	6	N.A. N.A. 3/8 2.5 25Ft.
8*	N.A. N.A. 1/4 1.8 5Ft.	
VII		PROCESS CONNECTION FITTING
	1	Union Connection 1/2" NPT
	2	Union Connection 3/4" NPT
	3	Separable Socket 1/2" NPT
	4	Separable Socket 3/4" NPT
	7	Air Duct Flange, Union Conn., Aluminum only
	9	Plain bulb, no fitting
	*N	Nickel-Plated Brass
	*S	Stainless Steel
VIII		PROCESS CONNECTION MATERIAL
	1	Brass
	2	304 Stainless Steel
	3	316 Stainless Steel
	5	Aluminum (Air Duct Flange only)
	0	None - Plain Bulb
	*B	Brass
*S	Stainless Steel *only with No. 8 Bulb.	
IX		SYSTEM LENGTH SPECIFYING
		0A - Use 2 digits: 05, 05, 10, 25 for length required

CASE SIZES - 2 1/2", 3 1/2", 4 1/2" Stainless Steel
RANGE -50 to 300°F (-45 to 150°C) with F/C switch
ACCURACY - 1%
WINDOW - Acrylic / Glass
LUX RATING - 10 Lux (one foot candle)
DISPLAY - 1/2" LCD Digits
STEM - 7/16" Diameter 5/8"-18 Jam Nut for NPT fittings
 3/8" Diameter for Plain bulbs
RESET - Internal Potentiometer
RESOLUTION - 1/10% between -19.9/199.9°F (-20/93°C)
AMBIENT OPERATING -30/140°F (-35/60°C)
AMBIENT TEMPERATURE ERROR - Zero
SENSOR - Glass Passivated Thermistor
CONFORMANCE - ASME B40.4



DV45VA3 - Vari-angle, Direct Mount

DV45BL3 - Back Flange, Lower Mnt.



DV45BB3 - Back Flange, Back Mount



DV45RB3 - Semi-flush, Panel Mnt.



DV35QB5 - U-Clamp, Panel Mount



CODE	CATALOG NO.	DESCRIPTION																				
I	DG35 DG45	CASE SIZE 3 1/2" Case 4 1/2" Case																				
II	B E F S U V K	CASE TYPE & MATERIAL Back Flange, Aluminum - 4 1/2" only Turret, Polypropylene* - 4 1/2" only Front Flange, Aluminum - 4 1/2" only Front Flange, Semi Flush, Bayonet Ring, St. St. - 3 1/2", 4 1/2" U-Clamp, Bayonet Ring, Stainless Steel - 4 1/2" only Vari-angle,® Stainless Steel - 4 1/2" only Back Flange, Bayonet Ring, St. St. - 3 1/2", 4 1/2" *Flush Mounting Ring available as Accessory																				
III	B L A	CASE CONNECTION Back Connection Lower Connection - (Not available on 3 1/2" K Case) Adjustable																				
IV	3 4 5	CASE WINDOW Acrylic Glass Shatterproof Glass - 4 1/2" only																				
V	0 1 X	THERMAL SYSTEM <table border="1"> <thead> <tr> <th>Bulb Type</th> <th>Bulb Material</th> <th>Capillary Material</th> <th>Capillary Protection</th> </tr> </thead> <tbody> <tr> <td>Vari-angle</td> <td>316 S.S.</td> <td>—</td> <td>—</td> </tr> <tr> <td colspan="4">(Furnished with 1/2" NPT S.S. Swivel)</td> </tr> <tr> <td>Plain</td> <td>316 S.S.</td> <td>316 S.S.</td> <td>S.S. Spiral Armor</td> </tr> <tr> <td>Sliding Union</td> <td>316 S.S.</td> <td>316 S.S.</td> <td>S.S. Spiral Armor</td> </tr> </tbody> </table>	Bulb Type	Bulb Material	Capillary Material	Capillary Protection	Vari-angle	316 S.S.	—	—	(Furnished with 1/2" NPT S.S. Swivel)				Plain	316 S.S.	316 S.S.	S.S. Spiral Armor	Sliding Union	316 S.S.	316 S.S.	S.S. Spiral Armor
Bulb Type	Bulb Material	Capillary Material	Capillary Protection																			
Vari-angle	316 S.S.	—	—																			
(Furnished with 1/2" NPT S.S. Swivel)																						
Plain	316 S.S.	316 S.S.	S.S. Spiral Armor																			
Sliding Union	316 S.S.	316 S.S.	S.S. Spiral Armor																			
VI	1 4 6 9 X 7 8	BULB SELECTION Plain Bulb - Remote Dia. Length 3/8 2.5" (Active) + 10" Rigid Ext. Vari-angle bulb Dia. Length To fit Thermowell with: OA Len. U Insertion 4 3/8 4" 4.25" 2.5" 6 3/8 6" 6.25" 4.5" 9 3/8 9" 9.25" 7.5" X 3/8 12" 12.25" 10.5" Sliding union connection bulb with bendable extension Dia. Length Ext. Insertion Len. Union Thermowell - U 7 3/8 2.5"(Active) 12" 3 to 12" 2.5 to 10.5" 8 3/8 2.5"(Active) 18" 3 to 18" 2.5 to 16.5"																				
VII		SYSTEM LENGTH SPECIFYING 9A - Use 2 digits: EX. 05, 10, 25 for length required. 9B - Use FT for feet.																				

CASE SIZES - 3 1/2" and 4 1/2"
RANGE -50 to 300°F (-45 to 150°C) with F/C switch
ACCURACY - 1%
WINDOW - Acrylic / Glass / Shatterproof Glass
LUX RATING - 10 Lux (one foot candle)
DISPLAY - 1/2" LCD Digits
RESOLUTION - 1/10% between -19.9/199.9°F (-20/93°C)
AMBIENT OPERATING -30/140°F (-35/60°C)
AMBIENT TEMPERATURE ERROR - Zero
SENSOR - Glass Passivated Thermistor
RESET - Internal Potentiometer
STEM - 3/8" Diameter
 Sliding Union (1/2" NPT) on bendable extension
 Direct Mount Vari-angle (1/2" NPT)
 Plain bulbs
CONFORMANCE - ASME B40.4

DG45BL4
 Back Flange, Surface Mount, Aluminum



DG45UB4
 U-Clamp, Bayonet Ring, St. St.



DG45KB4
 Back Flange, Bayonet Ring, St. St.



DG45VA4 - Vari-angle, St. St.



25SD



CASE: 1" x 4" Surface Mounting, Black or White
MASK: Black or Silver Mask / Custom logo on request
RANGE: 40-0-160°F or 40-0-70°C factory set
DISPLAY: 3/8" LCD
LIGHT RATING: 30 Lux to 50,000 Lux
SENSOR LENGTH: 3 Ft. or 5 Ft.
ENVIRONMENT: Splash Proof (optional black or white gasket)
ACCURACY: NSF Accuracy for food zone applications.
 (±2°F between -20 to +60°F)

56SD



CASE: 2" Round Back (56mm Square Front)
MOUNTING: Front Flange or U-Clamp
RANGE: 40-0-230°F and 40-0-110°C (field switchable)
DISPLAY: 3/8" LCD (1/10° display up to 200°F)
LIGHT RATING: 15 Lux to 50,000 Lux
SENSOR LENGTH: 3 Ft. or 5 Ft.
ENVIRONMENT: Waterproof from Front
OPTIONS: U-Clamp Case, Model 56SD-U
ACCURACY: NSF Accuracy for food zone applications.
 (1% of reading ±1°F or ±.5°C)

72SD



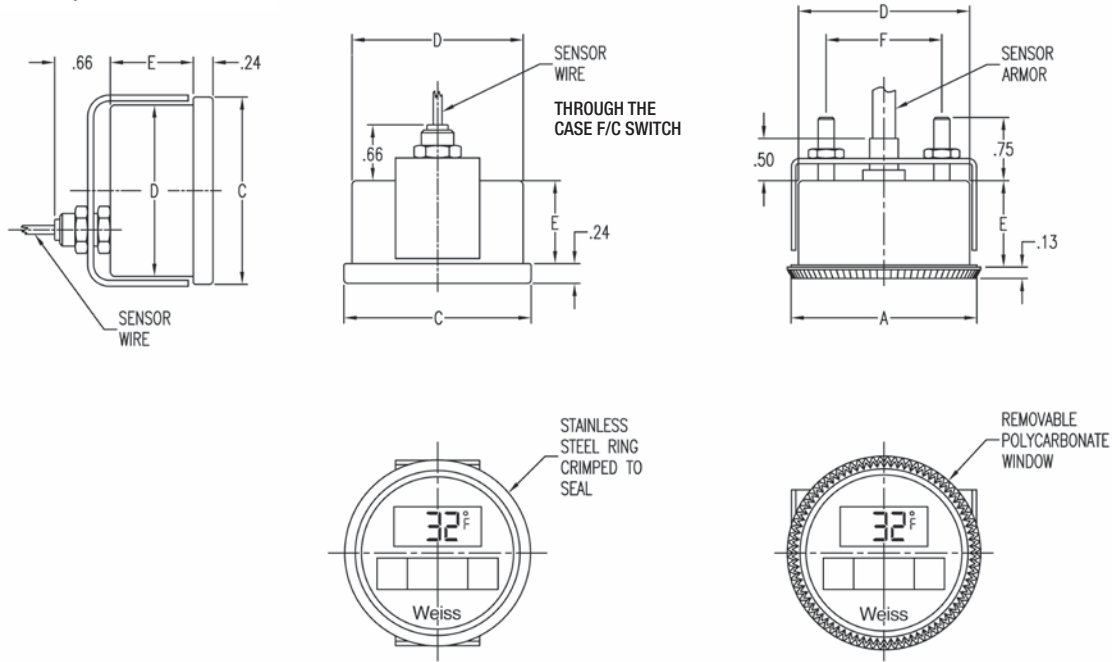
CASE: 2 1/2" Round Back (72mm Square Front)
MOUNTING: Front Flange or U-Clamp
RANGE: 40-0-160°F or 40-0-70°C, factory set
DISPLAY: 1/2" LCD - 1/10° display
LIGHT RATING: 30 Lux to 50,000 Lux
SENSOR LENGTH: 3 Ft. or 5 Ft.
ENVIRONMENT: Splash Proof (optional gasket)
OPTIONS: U-Clamp Case, Model 72SD-U
ACCURACY: NSF Accuracy for food zone applications.
 (±2°F between -20 to +60°F)

20SD

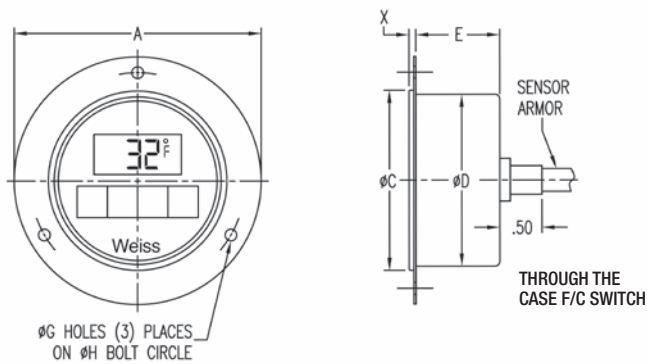


CASE: 2" Round, Stainless Steel
RANGE: 40-0-160°F or 40-0-70°C, factory set
DISPLAY: 3/8" LCD
LIGHT RATING: 50 Lux to 50,000 Lux
BATTERY ASSIST: 15 LUX @ 10 years
SENSOR LENGTH: 3 Ft. or 5 Ft.
ENVIRONMENT: Splash Proof from the Front
ACCURACY: NSF Accuracy for food zone applications.
 (±2°F between -20 to +60°F)

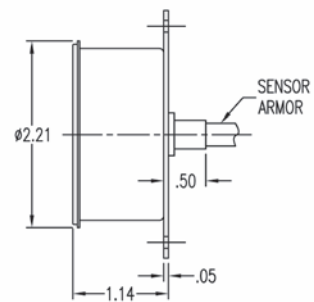
U-Clamp, Panel Mount



Front Flange, Panel Mount



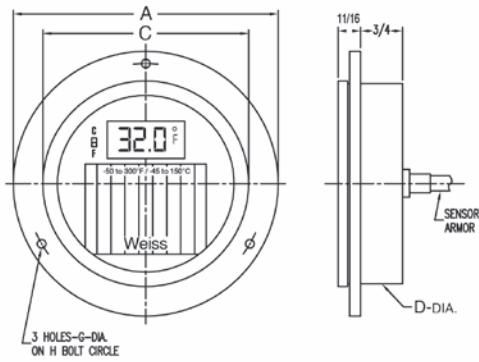
Back Flange, Panel Mount



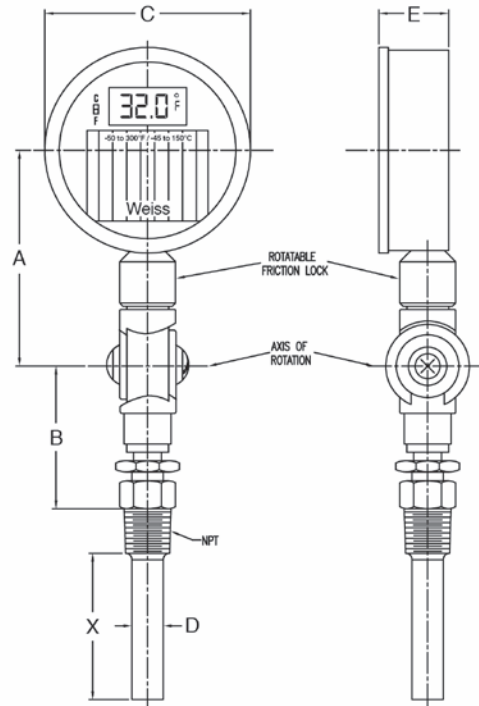
Case Dimensions

CASE SIZE	CASE TYPE	CODE I	FLGE DIA. A	RING O.D. C	PANEL HOLE B	DIA. D	E	F	G	H	X CASE FRONT CODE IV		
											4	3	5
2-1/2"	U-CLAMP	DV25U	2.812	2.875	2.609	2.562	1.0	2.0	-	-	.187	.25	-
2-1/2"	FRONT FLGE	DV25F	3.687	2.875	2.609	2.562	1.0	-	.171	3.312	.187	.25	-
2-1/2"	FRONT FLGE	DV25S	3.687	2.875	2.656	2.640	.750	-	.171	3.312	.375	-	-

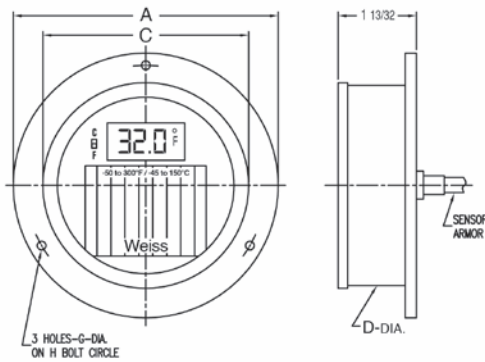
DV35RB3 - Semi Flush, Panel Mount



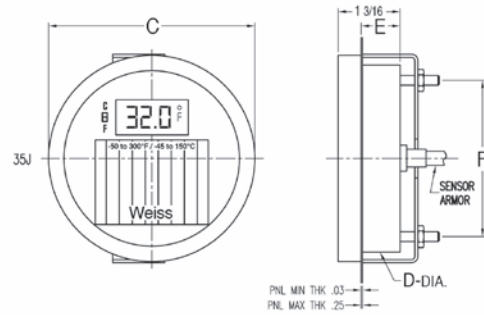
DV45VA - Vari-angle, Direct Mount



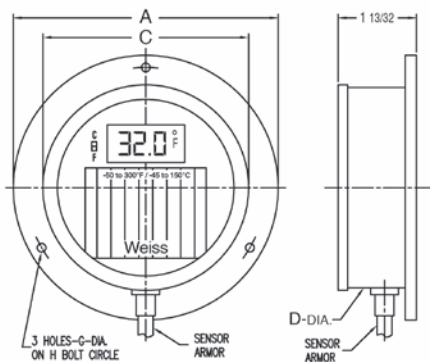
DV35BB3 - Surfacer Mount, Back Conn.



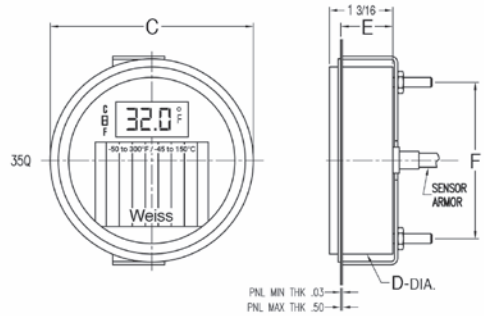
DV35JB4 - U-Clamp, Semi Flush Mount



DV35BL3 - Surfacer Mount, Bottom Conn.

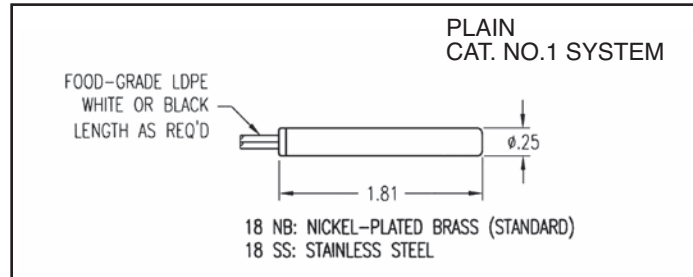
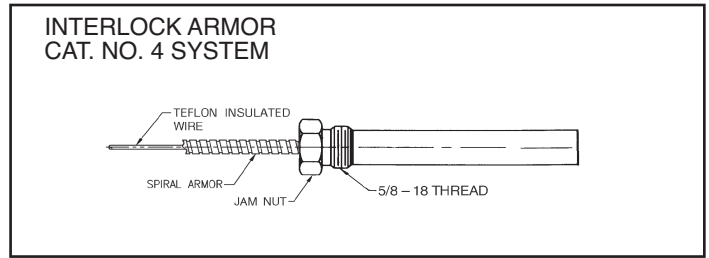
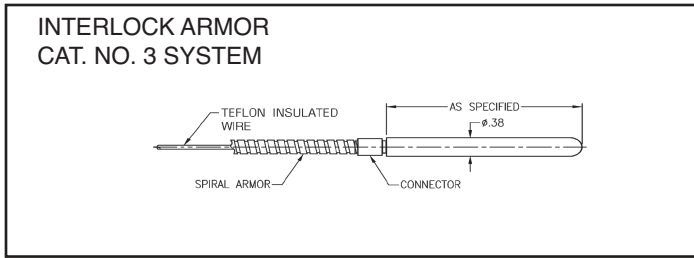


DV35QB3 - U-Clamp, Semi Flush Mount

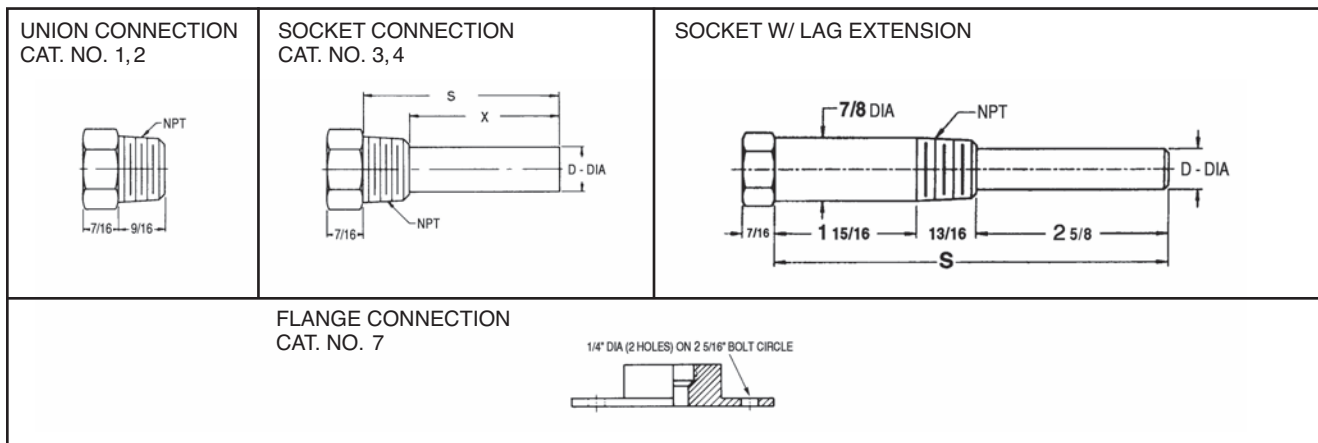


CASE SIZE	CASE TYPE	CODE I	FLGE DIA. A	RING O.D. C	PANEL HOLE B	DIA. D	E	F	G	H	X CASE FRONT CODE IV		
											4	3	5
3-1/2"	FRONT FLGE	DV35S	4.75	3.96	3.62	3.59	.75	-	.15	4.31	.43	-	-
3-1/2"	FRONT FLGE	DV35K	4.75	3.96	-	3.59	-	-	.15	4.31	-	-	-
3-1/2"	U-CLAMP	DV35J	-	3.96	3.62	3.59	.75	3.00	-	-	.43	-	-
3-1/2"	U-CLAMP	DV35Q	-	3.90	3.62	3.59	1.0	3.00	-	-	-	-	.125
3-1/2"	VARI-ANGLE	DV35V	3.87	3.68	2.56	.562	1.25	-	-	-	-	-	-
4-1/2"	FRONT FLGE	DV45B	5.87	4.68	4.62	4.59	-	-	.21	5.37	-	-	.125
4-1/2"	VARI-ANGLE	DV45V	4.87	4.68	2.56	5.00	1.25	-	-	-	-	-	-

Bulb Selection - Code V



Process Connection Fittings - Code VII

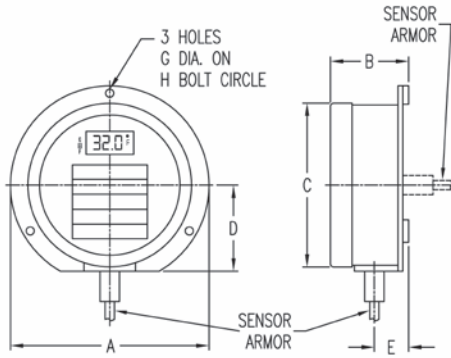


Bulb Dimensions

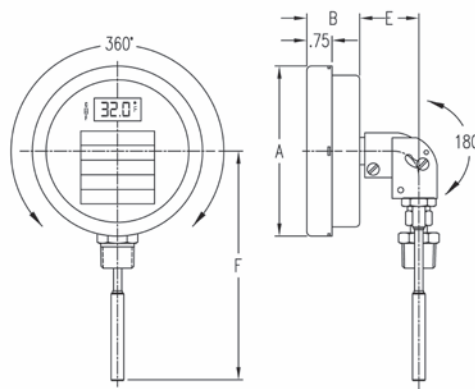
BULB NO. (CODE VI)	PLAIN CONNECTION		UNION CONNECTION			SOCKET CONNECTION			FLANGE CONNECTION	
	L	D	X	S	D	X	S	D	X	D
1	N/A	N/A	1-13/16	2-3/8	7/16	1-15/16	2-1/2	9/16	2-3/16	7/16
2	3-7/16	3/8	2-5/8	3-3/8	7/16	2-5/8	3-3/8	9/16	3	7/16
6	2-1/2	3/8	N/A	N/A	N/A	N/A	N/A	N/A	N/A	N/A
8	3	5/16	N/A	N/A	N/A	N/A	N/A	N/A	N/A	N/A

NOTE: "X" for Flange Conn. is the Insertion Length from Tip of Bulb to Face of Flange.

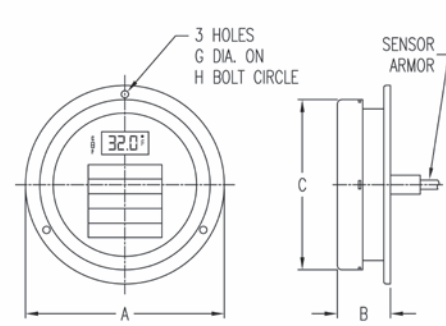
B - Back Flange, Aluminum



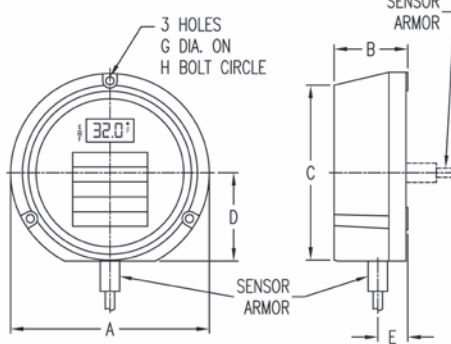
V - Vari-angle, Stainless Steel



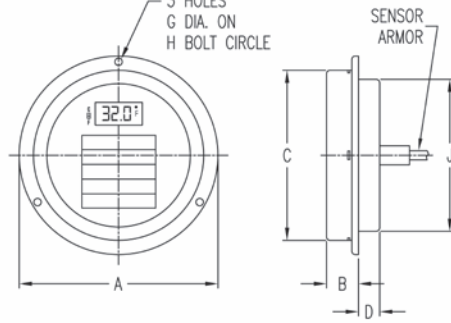
K - Back Flange, Stainless Steel



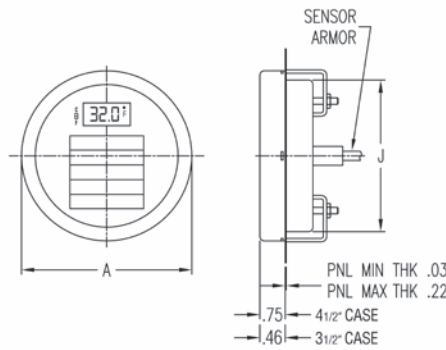
E - Turret, Polypropylene



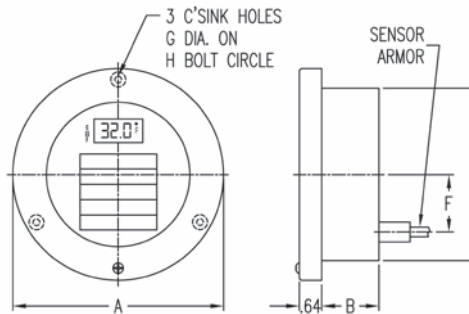
S - Front Flange, Panel Mount, St.St.



U - U-Clamp, Panel Mount, St.St.

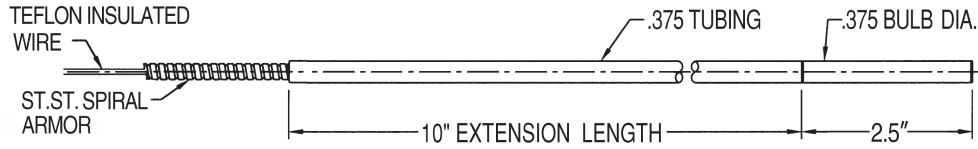


F - Front Flange, Hinged Ring, Aluminum



CASE DIMENSIONS											
CASE SIZE	CASE TYPE	CODE I & II	FLGE DIA. A	B	RING O.D. C	D	E	F	G	H	J
3 1/2"	Front Flange	DG35S	4.78	.40	3.95	.80	—	—	.16	4.31	3.60
3 1/2"	U-Clamp	DG35U	3.97	—	—	—	.75	—	—	—	3.60
3 1/2"	Back Flange	DG35K	4.78	1.40	3.97	—	1.0	—	—	4.31	—
4 1/2"	Back Flange	DG45B	5.88	1.57	5.05	—	—	—	.22	5.38	—
4 1/2"	Polypropylene	DG45E	5.83	2.15	5.08	2.62	.875	—	.24	5.39	—
4 1/2"	Front Flange	DG45F	5.88	.94	5.05	.63	—	—	.22	5.38	4.54
4 1/2"	Vari-angle	DG45V	5.04	1.57	—	—	1.75	6.81	—	—	—
4 1/2"	Front Flange	DG45S	5.88	.94	5.05	.63	—	—	.22	5.38	4.54
4 1/2"	U-Clamp	DG45U	5.05	—	—	—	—	—	—	—	4.54
4 1/2"	Back Flange	DG45K	5.88	1.57	5.05	—	—	—	.22	5.38	—

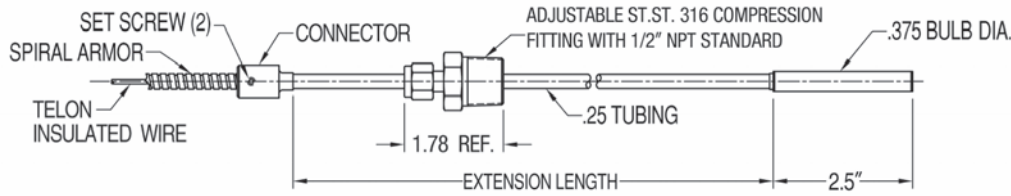
THERMAL SYSTEM & BULB SELECTION – CODE V-VI



PLAIN BULB

SYSTEM CODE	BULB TYPE	BULB MAT'IAL	CAPILLARY PROTECTION
1	1	Plain	316 S.S. SS Spiral Armor

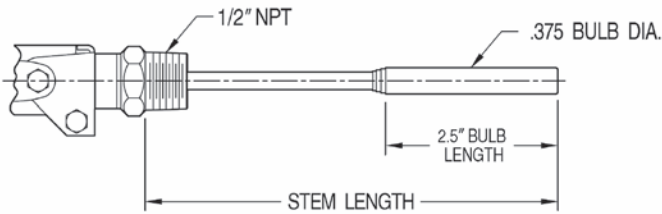
SLIDING UNION - BENDABLE EXTENSION



SYSTEM CODE	EXT. LENGTH	INSERTION U		
		UNION	T-WELL	
X	7	12"	2.5 to 12"	2.5 to 10.5"
X	8	18"	2.5 to 18"	2.5 to 16.5"

Thermowell is required for this Bulb Assy.

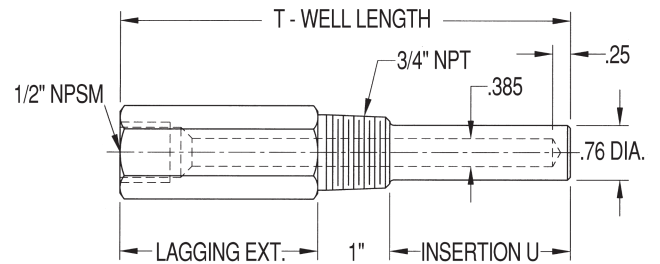
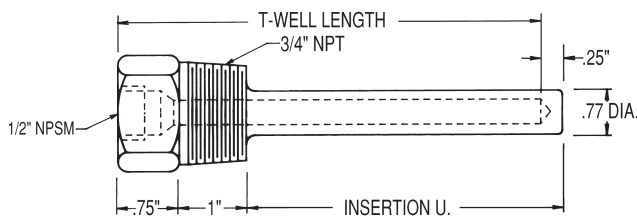
VARI-ANGLE



SYSTEM CODE	STEM LENGTH	INSERTION U		
		UNION	T-WELL	
0	4	4"	3.4"	2.5"
0	6	6"	5.6"	4.5"
0	9	9"	8.4"	7.5"
0	X	12"	11.4"	10.5"
0	Y	15"	13.4"	13.5"
0	Z	18"	16.4"	16.5"

Thermowell is recommended for this Bulb Assy.

PROCESS CONNECTION FITTINGS



THERMOWELLS WITHOUT LAGGING EXTENSION				THERMOWELLS WITH LAGGING EXTENSION				
CATALOG NO.*	T-WELL LENGTH	STEM LGTH.	INSERTION U	CATALOG NO.*	T-WELL LENGTH	STEM LGTH.	LAG. EXT.	INSERTION U
GT004-75	4.25"	4"	2.5"	GT206-75	6.25"	6"	2.75"	2.5"
GT006-75	6.25"	6"	4.5"	GT309-75	9.25"	9"	3.75"	4.5"
GT009-75	9.25"	9"	7.5"	GT312-75	12.25"	12"	3.75"	7.5"
GT012-75	12.25"	12"	10.5"					

*Complete Catalog No. is obtained by adding 5 character designation for Thermowell Material. Ex: GT004-75-BRASS
 NOTE: also available in 1/2" and 1" NPT
 GT006-75-304SS

Send for Weiss Literature to match your specific application.



WEISS INSTRUMENTS, INC.
905 WAVERLY AVE., HOLTSVILLE, NY 11742
TEL: 631-207-1200 • FAX: 631.207.0900
www.weissinstruments.com

Distributed by:



WEISS INSTRUMENTS

Stainless Steel Case Gauges



INDEX

Rometec srl - www.rometec.it - info@rometec.it - Rometec srl - www.rometec.it - info@rometec.it

Industrial Stainless Steel Gauge Introduction	3
Liquid Filled Gauges - Series LF251, LF252, LF441	4
Liquid Filled Gauges - Series LF442 and LF602	5
Non-Filled Gauges - Series NF252, NF402 and NF602	6
Non-Filled Gauges - Series NF401 and NF601	7
Case Dimensions	8
Case Dimensions	9
Case Dimensions and Standard Ranges	10
To Specify / Pressure Measurement Cross Reference Chart	11



Rometec srl - www.rometec.it - info@rometec.it - Rometec srl - www.rometec.it - info@rometec.it

Where vibration, corrosion and pulsating conditions exist, the Weiss line of stainless steel cased liquid filled industrial pressure gauges are designed to meet the most severe applications.

Some recommended uses are for agricultural equipment, hydraulic systems, oil field equipment, pumps, compressors and car wash systems. All liquid filled gauges are offered for direct mounting to the equipment, wall or panel mounting. With ranges from Vacuum to 15,000 psi, the Weiss line will provide the instrument for both the specific requirement of the OEM and the industrial user.

CASE STYLES

Direct Mounted, Front Flange, Back Flange and U-Clamp mounts.



C-Tube

Coiled Spiral Tube

INTERNALS

Phosphor bronze or Stainless Steel "C-Tube" or Coiled Spiral Bourdon Tube Assembly. The Coiled Spiral Bourdon Tube is standard for pressure ranges of 1000 psi and above.

LIQUID FILLINGS

Glycerine is Standard and is suitable for temperature conditions between +20°F and +150°F. Silicone filling rated at -40°F/150°F is available on special order.

INDICATING DIALS

Nominal 2 1/2", 4" and 6". Custom dials are available.

RELIEF VALVE

Provided on all Liquid Filled Pressure Gauges to compensate for internal case pressure build-up.

Liquid Filled Gauges-Crimped Ring Stainless Steel Cases 2 1/2"

Rometec srl - www.rometec.it - info@rometec.it - Rometec srl - www.rometec.it - info@rometec.it

LF251



LF251U

LF251F

CASE & RING: 2 1/2" type 304 stainless steel case with polished stainless steel crimped ring.
DIAL: ABS, white with black and red markings.(psi & kPa)
WINDOW: Clear acrylic.
TUBE: Phosphor Bronze to 6000psi, 316SS to 10,000psi.
SOCKET: Brass with threaded restrictor.
POINTER: Black anodized aluminum.
MOVEMENT: Brass.
ACCURACY: ±1.6% of span.
CONNECTION: 1/4" NPT bottom or center back.
RANGES: Vacuum, Compound, Pressure to 10,000 psi.

PANEL MOUNTING OPTIONS

U-CLAMP: Series LF251U

FRONT FLANGE: Series LF251F

LF252



CASE & RING: 2 1/2" type 304 stainless steel case with polished stainless steel crimped ring.
DIAL: ABS, white with black and red markings.(psi & kPa)
WINDOW: Clear acrylic.
TUBE: Type 316 Stainless Steel.
SOCKET: Type 316 Stainless Steel with threaded restrictor.
POINTER: Black anodized aluminum.
MOVEMENT: Stainless Steel.
ACCURACY: ±1.6% of span.
CONNECTION: 1/4" NPT bottom or center back.
RANGES: Vacuum, Compound, Pressure to 10,000 psi.

PANEL MOUNTING OPTIONS

U-CLAMP: Series LF252U

FRONT FLANGE: Series LF252F

Liquid Filled Gauges-Crimped Ring Stainless Steel Cases 4"

LF441



CASE & RING: 4" type 304 stainless steel thin line case with polished stainless steel crimped ring.
DIAL: White aluminum with black and red markings. (psi & kPa)
WINDOW: Clear acrylic.
TUBE: Phosphor Bronze.
SOCKET: Brass with threaded restrictor.
POINTER: Black anodized aluminum.
MOVEMENT: Brass rotary type with bushings.
ACCURACY: 1% of span.
CONNECTION: 1/4" NPT bottom.
RANGES: Vacuum, Compound, Pressure to 1000 psi.

PANEL MOUNTING OPTIONS

BACK FLANGE: Series LF441B

Rometec srl - www.rometec.it - info@rometec.it - Rometec srl - www.rometec.it - info@rometec.it

Liquid Filled Gauges-Crimped Ring Stainless Steel Cases 4"

Rometec srl - www.rometec.it - info@rometec.it - Rometec srl - www.rometec.it - info@rometec.it

LF442



CASE & RING: 4" type 304 stainless steel case with polished stainless steel crimped ring.

DIAL: White aluminum with black and red markings.

WINDOW: Safety glass.

TUBE: Type 316 stainless steel.

SOCKET: Type 316 S.S. with threaded restrictor.

POINTER: Black anodized aluminum.

MOVEMENT: Stainless steel rotary type with bushings.

ACCURACY: 1% of span.

CONNECTION: 1/4" NPT bottom or center back.

RANGES: Vacuum, Compound, Pressure to 15,000 psi.

PANEL MOUNTING OPTIONS

FRONT FLANGE: Series LF442F

BACK FLANGE: Series LF442BF

Liquid Filled Gauges-Bayonet Ring Stainless Steel Cases 6"

LF602



CASE & RING: 6" type 304 stainless steel case with polished stainless steel bayonet ring.

DIAL: White aluminum with black and red markings.

WINDOW: Tempered Glass.

TUBE: Type 316 stainless steel.

SOCKET: Type 316 stainless steel with threaded restrictor

POINTER: Black anodized aluminum, micro adjustable.

MOVEMENT: Stainless steel rotary type with bushings.

ACCURACY: 1/2% of span.

CONNECTION: 1/4" NPT bottom.

RANGES: Vacuum, Compound, Pressure to 15,000 psi.

PANEL MOUNTING OPTIONS

BACK FLANGE: Series LF602BF

Panel Mounting Options



FRONT FLANGE: Series LF442F



BACK FLANGE: Series LF602BF

Rometec srl - www.rometec.it - info@rometec.it - Rometec srl - www.rometec.it - info@rometec.it



CASE & RING: 2 1/2" type 304 stainless steel case with polished stainless steel bayonet lock ring.
DIAL: ABS, white with black and red markings (psi & kPa).
WINDOW: Clear acrylic.
TUBE: Type 316 stainless steel.
SOCKET: Type 316 stainless steel with threaded restrictor.
POINTER: Black anodized aluminum, adjustable.
MOVEMENT: Stainless steel.
ACCURACY: $\pm 1.6\%$ of span.
CONNECTION: 1/4" NPT bottom or center back.
RANGES: Vacuum, Compound, Pressure to 6000 psi.

NF402



CASE & RING: 4" type 304 stainless steel case with polished stainless steel bayonet ring.
DIAL: White aluminum with black and red markings (psi & kPa).
WINDOW: Safety glass.
TUBE: Type 316 Stainless Steel.
SOCKET: Type 316 Stainless Steel with threaded restrictor.
POINTER: Black anodized aluminum, micro adjustable.
MOVEMENT: Stainless Steel rotary type with bushings.
ACCURACY: 1% of span.
CONNECTION: 1/4" NPT bottom.
RANGES: Vacuum, Compound, Pressure to 5,000 psi.

PANEL MOUNTING OPTIONS
BACK FLANGE: Series NF402BF

NF602



CASE & RING: 6" type 304 stainless steel case with blow out disc, polished stainless steel bayonet ring.
DIAL: White aluminum with black and red markings.
WINDOW: Tempered Glass.
TUBE: Type 316 Stainless Steel.
SOCKET: Type 316 Stainless Steel with threaded restrictor.
POINTER: Black anodized aluminum, micro adjustable.
MOVEMENT: Stainless steel rotary type with bushings.
ACCURACY: 1/2% of span.
CONNECTION: 1/4" NPT bottom.
RANGES: Vacuum, Compound, Pressure to 15,000 psi.

PANEL MOUNTING OPTIONS
BACK FLANGE: Series NF602BF

NF401



CASE & RING: 4" type 304 stainless steel case with polished stainless steel bayonet ring.
DIAL: White aluminum with black and red markings (psi & kPa).
WINDOW: Clear acrylic.
TUBE: Phosphor Bronze to 600psi, 316SS to 5,000psi.
SOCKET: Brass with threaded restrictor.
POINTER: Black anodized aluminum, adjustable.
MOVEMENT: Brass rotary type with bushings.
ACCURACY: 1% of span.
CONNECTION: 1/4" NPT bottom.
RANGES: Vacuum, Compound, Pressure to 5000 psi.
PANEL MOUNTING OPTIONS
BACK FLANGE: Series NF401BF

NF601



CASE & RING: 6" type 304 stainless steel case with blow out disc, polished stainless steel bayonet ring.
DIAL: White aluminum with black and red markings (psi & kPa).
WINDOW: Tempered Glass.
TUBE: Phosphor Bronze.
SOCKET: Brass with threaded restrictor.
POINTER: Black anodized aluminum, micro adjustable.
MOVEMENT: Stainless steel rotary type with bushings.
ACCURACY: 1/2% of span.
CONNECTION: 1/4" NPT bottom.
RANGES: Vacuum, Compound, Pressure to 600 psi.
PANEL MOUNTING OPTIONS
BACK FLANGE: Series NF601BF

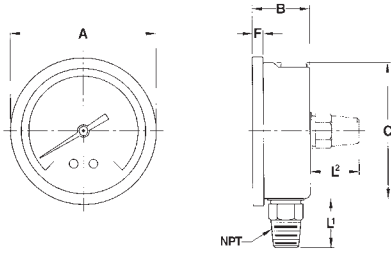
Panel Mounting Options



BACK FLANGE: Series NF401BF

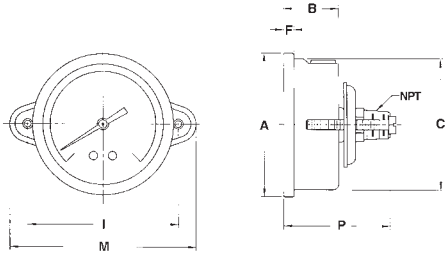


BACK FLANGE: Series NF601BF



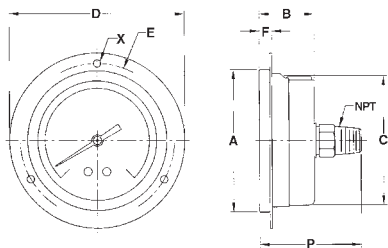
LOWER AND CENTER BACK CONNECTION

SERIES		A	B	C	F	L ₁	L ₂	NPT
LF251	INCH	2.68	1.18	2.45	.24	.93	1.00	1/4"
LF252	MM	68	30	62	6	24	25	
NF252								



U CLAMP MOUNT - CENTER BACK CONNECTION

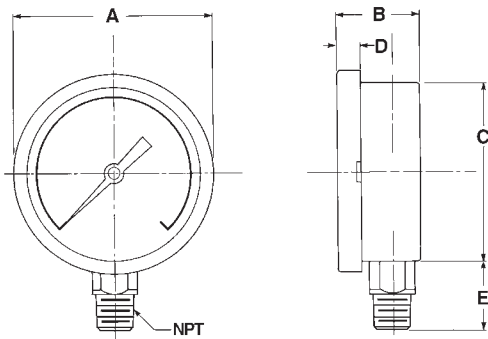
SERIES		A	B	C	F	I	M	P	PANEL HOLE	NPT
LF251U	INCH	2.68	1.18	2.45	.24	3.15	3.66	2.20	2.50	1/4"
LF252U	MM	68	30	62	6	80	93	56	64	



FRONT FLANGE - CENTER BACK CONNECTION

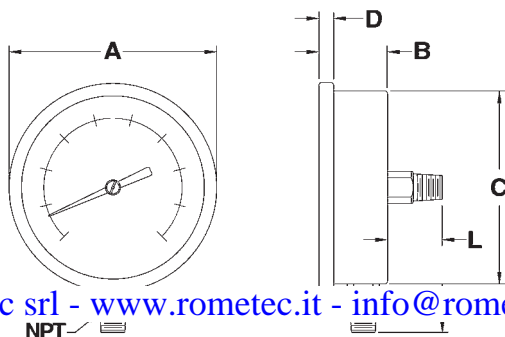
SERIES		A	B	C	D	E	F	X	PANEL HOLE	NPT	
LF251F	INCH	2.68	1.18	2.45	3.45	2.95	.28	2.20	.19	2.65	1/4"
LF252F	MM	68	30	62	88	75	7	56	5	67	

Case Dimensions LF & NF4



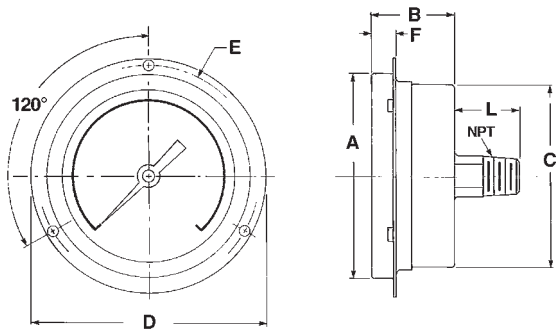
LOWER CONNECTION

SERIES		A	B	C	D	E	NPT
NF401	INCH	4.35	1.54	3.91	.58	1.24	1/4"
NF402	MM	110	39	99	15	31.5	



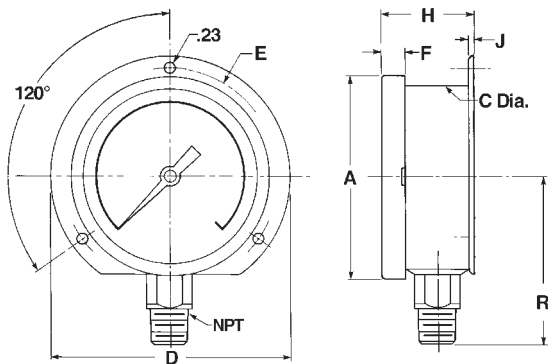
LOWER AND CENTER BACK CONNECTION

SERIES		A	B	C	D	E	L	NPT
LF441	INCH	4.28	1.42	3.97	.31	.95	1.13	1/4"
LF442	MM	109	36	101	8	24	29	



FRONT FLANGE - CENTER BACK CONNECTION

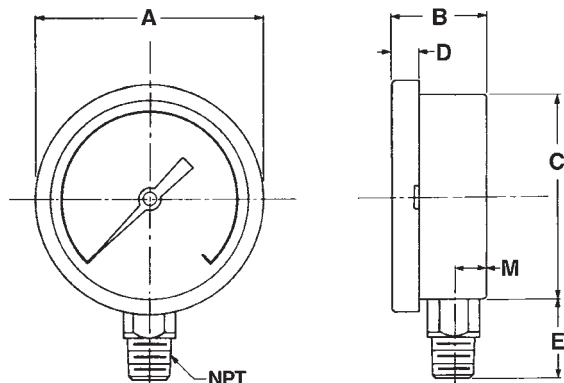
SERIES		A	B	C	D	E	F	L	PANEL HOLE	NPT
LF442F	INCH	4.28	1.43	3.97	5.17	4.62	.39	1.37	4.10	1/4"
	MM	109	36	101	130	118	10	34.8	104	



BACK FLANGE - LOWER CONNECTION

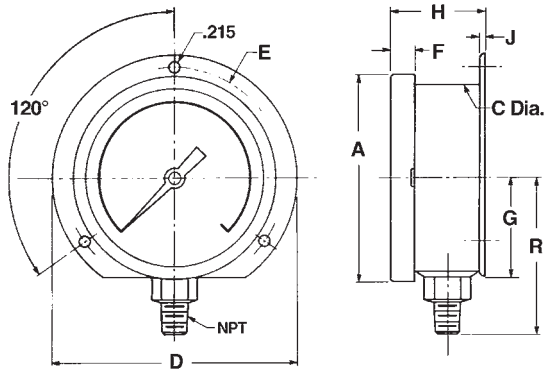
SERIES		A	C	D	E	F	H	R	J	NPT
LF441BF NF401BF LF442BF NF402BF	INCH	4.28	3.97	5.16	4.65	.31	1.43	3.08	.04	1/4"
	MM	109	101	131	118	8	36	78	1	

Case Dimensions LF & NF6



LOWER CONNECTION

SERIES		A	B	C	D	E	M	NPT
NF601 LF602 NF602	INCH	6.33	1.95	5.90	.66	1.16	.60	1/4"
	MM	160	50	150	17	29	15	



BACK FLANGE - LOWER CONNECTION

SERIES		A	B	C	D	E	F	G	H	R	J	NPT
NF601BF	INCH	6.33	5.90	7.64	6.85	.66	3.4	1.95	4.08	4.25	.04	1/4"
LF602BF	MM	160	150	194	174	17	86	50	104	108	1	
NF602BF												

Standard Ranges

PRESSURE - Series LF & NF25

Range	Figure interval	Minor graduation
0-15	2	0.5
0-30	5	0.5
0-60	10	1
0-100	10	2
0-160	20	2
0-200	50	5
0-300	50	5
0-400	100	10
0-600	100	10
0-1000	200	20
0-1500	200	20
0-2000	500	50
0-3000	500	50
0-5000	1000	100
0-6000	1000	100
0-10,000	2000	200

COMPOUND

Range	Figure interval		Minor graduation	
	in Hg	psi	in Hg	psi
30"Hg-30psi	10	5	2	1
30"Hg-60psi	10	10	2	2
30"Hg-100psi	30	20	5	2
30"Hg-150psi	30	20	5	5
30"Hg-200psi	30	20	5	5
30"Hg-300psi	30	50	10	5

VACUUM

Range	Figure interval	Minor graduation
-------	-----------------	------------------

PRESSURE - Series LF & NF4 and LF & NF6

Range	Figure interval	Major grads	Minor grads
0-15	2	2	0.1
0-30	5	5	1.0
0-60	5	5	0.5
0-100	10	10	1
0-160	20	10	1
0-200	20	20	2
0-300	50	50	2
0-400	50	10	5
0-600	100	10	10
0-1000	100	10	10
0-1500	300	100	10
0-2000	200	100	20
0-3000	500	100	20
0-5000	500	100	50
0-10,000	1000	500	100
0-15,000	3000	1000	100

COMPOUND

Range	Figure interval		Minor graduation	
	in Hg	psi	in Hg	psi
30"Hg-30psi	10	5	0.5	1
30"Hg-60psi	10	10	0.5	1
30"Hg-100psi	30	10	1	2
30"Hg-150psi	30	30	1	5
30"Hg-300psi	30	50	2	10

VACUUM

Range	Figure interval	Minor graduation
-------	-----------------	------------------

TO SPECIFY

Rometec srl - www.rometec.it - info@rometec.it - Rometec srl - www.rometec.it - info@rometec.it

CHOOSE CAT. NO. - PLUS RANGE CODE - PLUS CONNECTION

INDICATES CONSTRUCTION			RANGE CODE			SIZE & LOCATION	
CAT. NO. -	DIAL SIZE	INTERNALS	RANGE CODE	RANGE - psi	kPa		
LIQUID FILL							
LF251	2 1/2"	Bronze	030	0-30	0-200	4L = 1/4" Lower	
LF252	2 1/2"	316S.S.	060	0-60	0-400		
LF441*	4"	Bronze	100	0-100	0-700	4B = 1/4" Back	
LF442*	4"	316S.S.	160	0-160	0-1100		
LF602	6"	316S.S.	200	0-200	0-1400		
			300	0-300	0-2100		
DRY							
NF252	2 1/2"	316S.S.	600	0-600	0-4200		
NF401	4"	Bronze	1000	0-1000	0-7000		
NF402	4"	316S.S.	1500	0-1500	0-10,000		
NF601	6"	Bronze	2000	0-2000	0-14,000		
NF602	6"	316S.S.	3000	0-3000	0-21,000		
<i>*Thin Line Case</i>			5000	0-5000	0-40,000		
			6000	0-6000	0-42,000		
			10000	0-10,000	0-70,000		
			15000	0-15,000	0-100,000		
			VAC	0-30"HG	-100-0		
			V30	30"-0-30	-100-200		
			V60	30"-0-60	-100-400		
			V100	30"-0-100	-100-700		
			V150	30"-0-150	-100-1000		
			V200	30"-0-200	-100-1400		
			V300	30"-0-300	-100-2100		

Ex: LF251 – 100 – 4L

PRESSURE MEASUREMENT CROSS REFERENCE CHART

psi	atms.	" H ₂ O	mm H ₂ O	cm H ₂ O	oz/in ²	Kg/cm ²	" Hg	mm Hg (Torr)	cm Hg	mbar	bar	Pa (N/m ²)	kPa	MPa
1	0.0681	27.71	703.8	70.38	16	0.0704	2.036	51.715	5.17	68.95	0.0689	6895	6.895	0.0069
14.7	1	407.2	10,343	1,034.3	235.1	1.033	29.92	760	76	1013	1.013	101,325	101.3	0.1013
0.0361	0.00246	1	25.4	2.54	0.5775	0.00254	0.0735	1.866	0.187	2.488	0.00249	248.8	0.249	0.00025
0.001421	0.000097	0.0394	1	0.1	0.0227	0.0001	0.00289	0.0735	0.00735	0.098	0.000098	9.8	0.0098	0.00001
0.01421	0.000967	0.3937	10	1	0.227	0.001	0.0289	0.735	0.0735	0.98	0.00098	98	0.098	0.0001
0.0625	0.00425	1.732	43.986	4.40	1	0.0044	0.1273	3.232	0.323	4.31	0.00431	431	0.431	0.00043
14.22	0.968	394.1	100,010	1,001	227.6	1	28.96	735.6	73.56	980.7	0.981	98,067	98.07	0.0981
0.4912	0.03342	13.61	345.7	34.57	7.858	0.0345	1	25.4	2.54	33.86	0.0339	3386	3.386	0.00339
0.01934	0.001316	0.536	13.61	1.361	0.310	0.00136	0.0394	1	.1	1.333	0.001333	133.3	0.1333	0.000133
0.1934	0.01316	5.358	136.1	13.61	3.10	0.0136	0.394	10	1	13.33	0.01333	1333	1.333	0.00133
0.0145	0.000987	0.4012	10.21	1.021	0.2321	0.00102	0.0295	0.75	0.075	1	0.001	100	0.1	0.0001
14.504	0.987	401.9	10,210	1021	232.1	1.02	29.53	750	75	1000	1	100,000	100	0.1
0.000145	0.00001	0.00402	0.102	0.0102	0.00232	0.00001	0.000295	0.0075	0.00075	0.01	0.00001	1	0.001	0.000001
0.14504	0.00987	4.019	102.07	10.207	2.321	0.0102	0.295	7.5	0.75	10	0.01	1,000	1	0.001

Rometec srl - www.rometec.it - info@rometec.it - Rometec srl - www.rometec.it - info@rometec.it

Send for Weiss Literature to match your specific application.



WEISS INSTRUMENTS, INC.

905 WAVERLY AVE., HOLTSMVILLE, NEW YORK 11742

TEL: 631-207-1200 • FAX: 631.207.0900

www.weissinstruments.com

Distributed by:

Thermal Isolator for Pressure Instruments

Coiled Tubing Assembly designed to protect Pressure Instruments from high medium temperature that might damage the instrument or affect its rated accuracy.

Capable of reducing process temperature up to 305°F (170°C).



Rometec srl - www.rometec.it - info@rometec.it - Rometec srl - www.rometec.it - info@rometec.it
 recommended for direct mounting instruments when the process temperature exceeds its maximum temperature rating. Air circulation along the 39" (1000 mm) length of the coiled tube dissipates heat from the process medium and reduces the temperature to acceptable levels when it reaches the instrument.

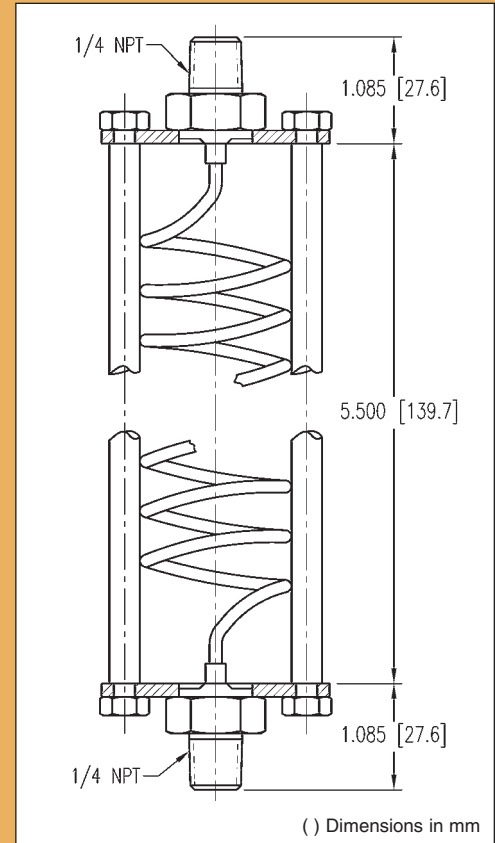
SPECIFICATIONS

- All stainless steel construction.
- Process Temperature reduction up to 350°F (175°C)*
- Coil ID sized to prevent clogging .055" (1.4mm).
- Standard process connection 1/4" NPT male, 1/4" NPT female.
- Customized configuration and connection available.
- Maximum operating pressure 1000 psi (7000 kPa).
- Maximum operating temperature 480°F (250°C).

* Actual temperature reduction is dependent on specific ambient conditions and process flow characteristics.

CAT NO.	DESCRIPTION
TI25M	1/4" NPT Male Instrument Connection* 1/4" NPT Male Process Connection
TI25F	1/4" NPT Male Instrument Connection* 1/4" NPT Female Process Connection

* Male instrument connection is standard, since the use of a Weiss 25NVSS Needle Valve is recommended between the gauge and isolator. See illustration below.



Following Weiss pressure gauge options are recommended for use in conjunction with the Thermal Isolator:

NF402
25NVSS
TI25M
Gauge
Valve
Isolator



NF4UGY2
25NVSS
TI25M
Gauge
Valve
Isolator



DUGY2
25NVSS
TI25M
Gauge
Valve
Isolator



TI-7/09

WEISS INSTRUMENTS

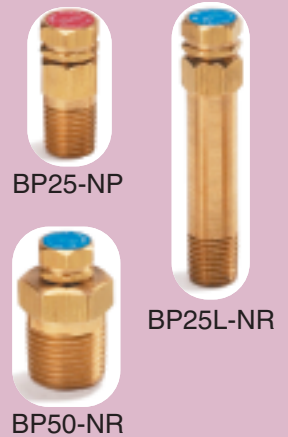
Temperature/Pressure Plugs



With www.rometec.it - info@rometec.it - Rometec srl - www.rometec.it - info@rometec.it
 pipe lines throughout HVAC systems. Offered in both nordel (blue cap) for hot and chilled water and neoprene (red cap) for natural gas, Weiss plugs are consistently rated at 1000 PSI. The self-sealing core insures long life and continuous service.

TEST PLUGS

CAT. NO.	NPT SIZE	BODY&CAP	PLUG CORE	LAG EXT	MAX TEMP
BP25-NP	1/4"	BRASS	NEOPRENE	—	200F
BP25-NR	1/4"	BRASS	NORDEL	—	275F
BP25L-NP	1/4"	BRASS	NEOPRENE	1 3/4"	200F
BP25L-NR	1/4"	BRASS	NORDEL	1 3/4"	275F
BP50-NP	1/2"	BRASS	NEOPRENE	—	200F
BP50-NR	1/2"	BRASS	NORDEL	—	275F
BP50L-NP	1/2"	BRASS	NEOPRENE	1 1/2"	200F
BP50L-NR	1/2"	BRASS	NORDEL	1 1/2"	275F



STANDARD PACKS

SERIES	COUNT
BP25	35
BP25L	20
BP50	15

TEST PLUG ACCESSORIES

CAT. NO.	DESCRIPTION
GA18	Gauge adaptor w/1/8" 304SS probe (probe guard included)
GA16	Gauge adaptor w/1/16" 304SS probe (probe guard included)
RS25	Cap Retainer Strap 1/4"
RS50	Cap Retainer Strap 1/2"



RS25



GA18

INSTRUMENT ACCESSORIES

CAT. NO.	DESCRIPTION
PT220	Pocket test 1" dial thermometer 0-220F
PT125	Pocket test 1" dial thermometer 25-125F
DP300	Pocket test digital thermometer 0-300F
TL25-030-4L	Pressure gauge 0-30 PSI
TL25-060-4L	Pressure gauge 0-60 PSI
TL25-100-4L	Pressure gauge 0-100 PSI
TL25-160-4L	Pressure gauge 0-160 PSI
TL25-200-4L	Pressure gauge 0-200 PSI



PT220



TL25-100-4L

TEST KIT

CAT. NO.	DESCRIPTION
TPK	Carrying Case includes (1) TL25-030-4L (1) TL25-160-4L (1) PT220 (1) GA18



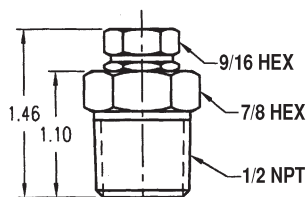
OPERATING INSTRUCTIONS

PRESSURE TEST

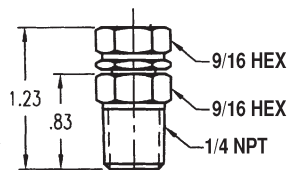
- 1) Thread gauge adapter onto the 1/4" NPT male thread of the pressure gauge. Use the proper pressure gauge to read the expected pressure at mid scale of the dial range.
- 2) Remove the cap from the test plug.
- 3) Insert the adapter /gauge assembly into the plug core. Read the pressure.
- 4) Remove the adapter /gauge assembly. Plug core will re-seal.
- 5) Replace the cap.

TEMPERATURE TEST

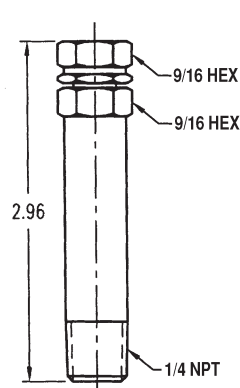
- 1) Remove the cap from the test plug.
- 2) Insert the pocket dial thermometer into the plug core. Read the temperature.
- 3) Remove the thermometer. Plug core will re-seal.
- 4) Replace the cap.



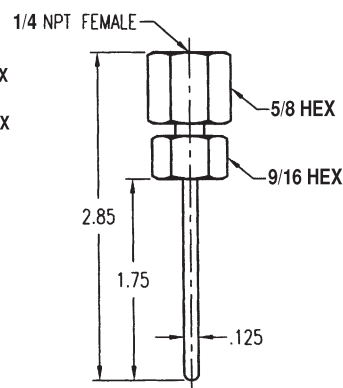
**Test Plug
1/2" NPT**



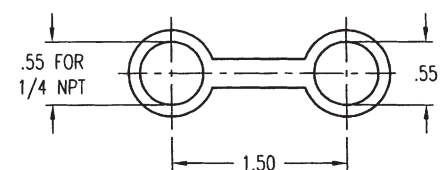
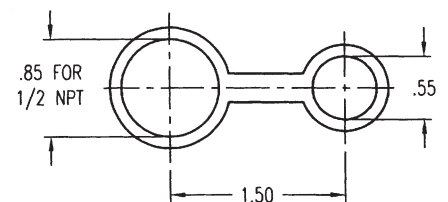
Test Plug



**Extension
1/4" NPT**



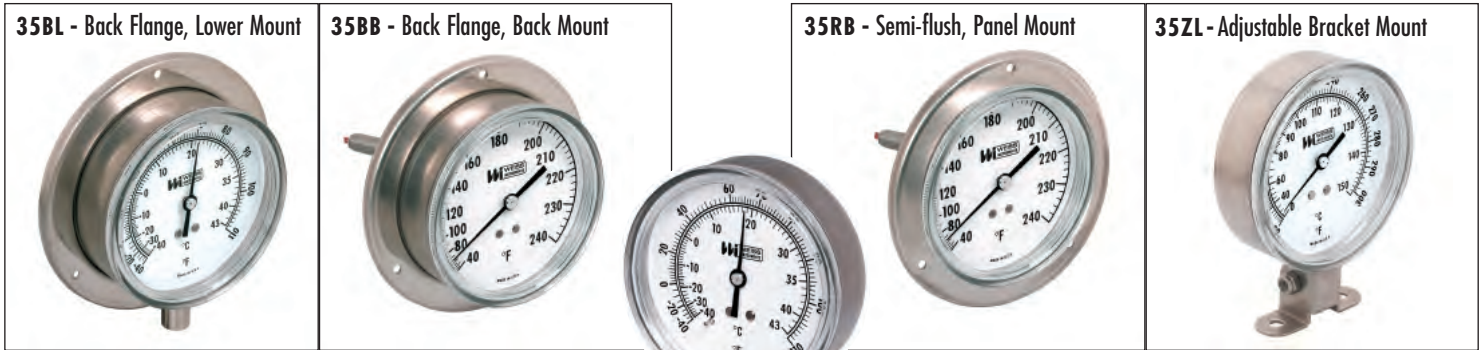
Gauge Adaptor



Plastic Cap Retainer

VTVA & VTR

Direct Mount & Remote Reading



35VA - Vari-angle® Direct Mount



CODE	CATALOG NO.	DESCRIPTION				
I	35	CASE SIZE 3 1/2" Case				
	45	4 1/2" Case				
II	V	Vari-angle® Direct Mount				
	B	Back Flange, Surface Mount				
	R	Semi-flush, Panel Mount				
	Z	Adjustable Bracket, Remote Mount				
III	A	CASE CONNECTION Adjustable				
	B	Back Connection				
	L	Lower Connection				
IV	3	CASE WINDOW Snap in Lexan with "O" Ring				
V	0	THERMAL SYSTEM Union Copper (Vari-angle only)				
	2	Plain Copper Copper Cu. Braid				
	3	Plain 316 S.S. 316 S.S. None				
	5	Union Copper Copper Cu. Braid				
	7	Union 316 S.S. Copper Cu. Braid				
	8	Union 316 S.S. 316 S.S. Intlock Armor*				
	9	Union 316 S.S. 316 S.S. None				
	*At bulb end 3 1/2" long. All systems have S.S. Spring capillary protection at indicating head. No. 5-7 system include S.S. spring at bulb end - S.S. jam nut standard on No. 8-9 system.					
	VI	BULB SELECTION				
		Thermal System No. 5 Thru 9 (Union)	Thermal System No. 2 & 3 (Plain)	Max. System Len.		
		Dia.	Length	Dia.	Length	
1		7/16	2.5"	N.A.	N.A.	10Ft.
2		7/16	3.4"	3/8	3.4	25Ft.
3		7/16	5.4"	3/8	4.9	50Ft.
4		7/16	7.4"	3/8	7.9	99Ft.
5	7/16	9.4"	3/8	9.4	99Ft.	
X	1/8" x 180" Averaging Bulb				10Ft.	
6	N.A.	N.A.	2 5/8	2.5	95Ft.	

SPECIFICATIONS

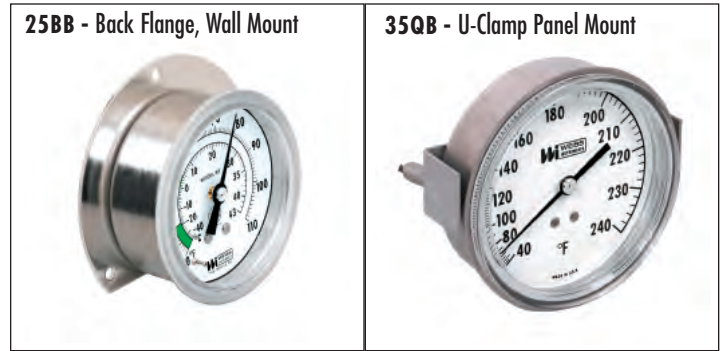
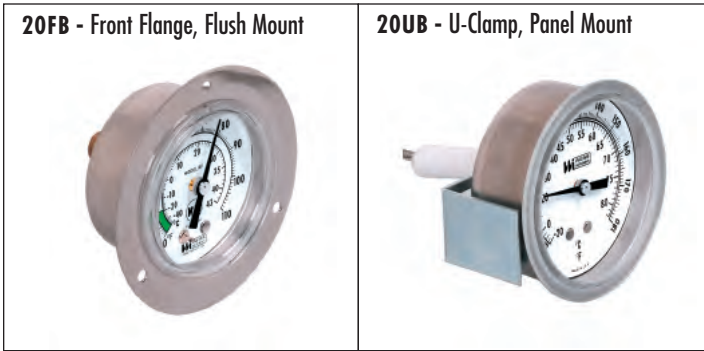
CASE & RING - drawn stainless steel case with snap-in "O" ring gasketed clear lexan window.
CASE STYLES - five case styles are available (as shown) to accommodate direct mount, surface or panel mounting.
DIAL - white coated aluminum with black markings.
POINTER - slotted adjustable type.
BOURDON TUBE - phosphor bronze.
THERMAL BULB & LINE ASSEMBLY - copper or 316 stainless steel.
PROCESS CONN. FITTING - separable socket, union or air duct flange connections.
ACCURACY - one scale division throughout range.

VII		PROCESS CONNECTION FITTING
	1	Union Connection 1/2" NPT
	2	Union Connection 3/4" NPT
	3	Separable Socket 1/2" NPT
	4	Separable Socket 3/4" NPT
	5	Separable Socket 1/2" NPT with 2" Lag Extension (No.3 Bulb only)
	6	Separable Socket 3/4" NPT with 2" Lag Extension (No.3 Bulb only)
	7	Air Duct Flange, Union Conn., Aluminum only
	9	Plain bulb, no fitting
VIII		PROCESS CONNECTION MATERIAL
	1	Brass
	2	304 Stainless Steel
	3	316 Stainless Steel
	5	Aluminum (Air Duct Flange only)
	0	None - Plain Bulb
IX A-B	See Example Below	SYSTEM LENGTH SPECIFYING
		9A - Use 2 digits: EX. 05, 10, 99 for length required. 9B - Use FT for feet, use IN for inches

EXAMPLE FOR OBTAINING COMPLETE CATALOG NUMBER FROM CODES - SERIES VTVA & VTR

CODE I-IV (HEAD ASSY)	CODE V-VIII (THERMAL SYSTEM)	CODE IX A - B (CAPILLARY LENGTH)
4 5 B L 3	5 2 3 1	0 5 F T
RANGE		
40-240 F		

Series
716
Panel Mounting



CODE	CATALOG NO.	DESCRIPTION																																								
I	15	CASE SIZE 1-1/2" Case 2" Case 2-1/2" Case 3-1/2" Case																																								
	20																																									
	25																																									
	35																																									
II	F	CASE TYPE Front Flange Flush Mount, 2, 2-1/2" U-Clamp Flush Mount, 1-1/2, 2, 2-1/2" Back Flange Surface Mount, 2, 2-1/2" S Front Flange Semi-Flush Mount, 3-1/2" J U-Clamp Semi-Flush Mount, 3-1/2" Q U-Clamp Flush Mount, 3-1/2"																																								
	U																																									
	B																																									
	S																																									
	J																																									
	Q																																									
III	B	CASE CONNECTION Back Connection - Standard L Lower Connection																																								
	L																																									
IV	3	CASE FRONT AND WINDOW Molded one-piece Lexan 4 Stainless Steel Ring & Glass 5 Chrome Plated Brass, Glass 8 Crimped Ring, S.S., Plastic or Glass - Waterproof 9 Threaded one-piece Lexan																																								
	4																																									
	5																																									
	8																																									
	9																																									
V	1	THERMAL SYSTEM <table border="1"> <thead> <tr> <th>Bulb Type</th> <th>Bulb Material</th> <th>Capillary Material</th> <th>Capillary Protection</th> </tr> </thead> <tbody> <tr> <td>Plain</td> <td>Copper</td> <td>Copper</td> <td>None</td> </tr> <tr> <td>Plain</td> <td>Copper</td> <td>Copper</td> <td>Cu. Braid</td> </tr> <tr> <td>Plain</td> <td>316 S.S.</td> <td>316 S.S.</td> <td>None</td> </tr> <tr> <td>Union</td> <td>Copper</td> <td>Copper</td> <td>None*</td> </tr> <tr> <td>Union</td> <td>Copper</td> <td>Copper</td> <td>Cu. Braid</td> </tr> <tr> <td>Union</td> <td>316 S.S.</td> <td>Copper</td> <td>None</td> </tr> <tr> <td>Union</td> <td>316 S.S.</td> <td>Copper</td> <td>Cu. Braid</td> </tr> <tr> <td>Union</td> <td>316 S.S.</td> <td>316 S.S.</td> <td>Intlock Armor*</td> </tr> <tr> <td>Union</td> <td>316 S.S.</td> <td>316 S.S.</td> <td>None</td> </tr> </tbody> </table> <p>*At bulb end 31/2" long. All systems have S.S. Spring capillary protection at indicating head. No. 5-7 system include S.S. spring at bulb end - S.S. jam nut standard on No. 8-9 system.</p>	Bulb Type	Bulb Material	Capillary Material	Capillary Protection	Plain	Copper	Copper	None	Plain	Copper	Copper	Cu. Braid	Plain	316 S.S.	316 S.S.	None	Union	Copper	Copper	None*	Union	Copper	Copper	Cu. Braid	Union	316 S.S.	Copper	None	Union	316 S.S.	Copper	Cu. Braid	Union	316 S.S.	316 S.S.	Intlock Armor*	Union	316 S.S.	316 S.S.	None
	Bulb Type		Bulb Material	Capillary Material	Capillary Protection																																					
	Plain		Copper	Copper	None																																					
	Plain		Copper	Copper	Cu. Braid																																					
	Plain		316 S.S.	316 S.S.	None																																					
	Union		Copper	Copper	None*																																					
	Union		Copper	Copper	Cu. Braid																																					
	Union		316 S.S.	Copper	None																																					
	Union		316 S.S.	Copper	Cu. Braid																																					
	Union		316 S.S.	316 S.S.	Intlock Armor*																																					
Union	316 S.S.	316 S.S.	None																																							
2																																										
3																																										
4																																										
5																																										
6																																										
7																																										
8																																										
9																																										
VI	0	BULB SELECTION <table border="1"> <thead> <tr> <th>Thermal System No. 4 Thru 9 (Union) Dia.</th> <th>Thermal System Length</th> <th>Thermal System No. 1 - 3 (Plain) Dia.</th> <th>Thermal System Length</th> <th>Max. System Len.</th> </tr> </thead> <tbody> <tr> <td>7/16</td> <td>1.87"</td> <td>N.A.</td> <td>N.A.</td> <td>10Ft.</td> </tr> <tr> <td>7/16</td> <td>2.5"</td> <td>N.A.</td> <td>N.A.</td> <td>10Ft.</td> </tr> <tr> <td>7/16</td> <td>3.4"</td> <td>3/8</td> <td>3.4</td> <td>25Ft.</td> </tr> <tr> <td>7/16</td> <td>5.4"</td> <td>3/8</td> <td>4.9</td> <td>50Ft.</td> </tr> <tr> <td>7/16</td> <td>7.4"</td> <td>3/8</td> <td>7.9</td> <td>99Ft.</td> </tr> <tr> <td>N.A.</td> <td>N.A.</td> <td>3/8</td> <td>2.5</td> <td>05Ft.</td> </tr> <tr> <td>N.A.</td> <td>N.A.</td> <td>5/16</td> <td>2.5</td> <td>10Ft.</td> </tr> </tbody> </table> <p>* Bulb lengths are standard for system lengths shown. Longer standard bulbs can be applied</p>	Thermal System No. 4 Thru 9 (Union) Dia.	Thermal System Length	Thermal System No. 1 - 3 (Plain) Dia.	Thermal System Length	Max. System Len.	7/16	1.87"	N.A.	N.A.	10Ft.	7/16	2.5"	N.A.	N.A.	10Ft.	7/16	3.4"	3/8	3.4	25Ft.	7/16	5.4"	3/8	4.9	50Ft.	7/16	7.4"	3/8	7.9	99Ft.	N.A.	N.A.	3/8	2.5	05Ft.	N.A.	N.A.	5/16	2.5	10Ft.
	Thermal System No. 4 Thru 9 (Union) Dia.		Thermal System Length	Thermal System No. 1 - 3 (Plain) Dia.	Thermal System Length	Max. System Len.																																				
	7/16		1.87"	N.A.	N.A.	10Ft.																																				
	7/16		2.5"	N.A.	N.A.	10Ft.																																				
	7/16		3.4"	3/8	3.4	25Ft.																																				
	7/16		5.4"	3/8	4.9	50Ft.																																				
	7/16		7.4"	3/8	7.9	99Ft.																																				
	N.A.		N.A.	3/8	2.5	05Ft.																																				
N.A.	N.A.	5/16	2.5	10Ft.																																						
1																																										
2																																										
3																																										
4																																										
6																																										
7																																										

SPECIFICATIONS

CASE & RING - drawn stainless steel case with snap-in "O" ring gasketed clear lexan or glass window.

DIAL - white coated aluminum with black markings.

POINTER - slotted adjustable type which permits "zero set" calibration.

BOURDON TUBE - precision geared brass movement and phosphor bronze tube.

THERMAL SYSTEMS - available in nine standard types, with system lengths from 6 inches thru 100 feet. Materials for the case and ring assembly are as shown in the Coding Charts.

PROCESS CONN. FITTING - separable socket, union or air duct flange connections.

ACCURACY - one scale division throughout range. Built with NSF accuracy and compliance, see our complete listing at www.nsf.org.

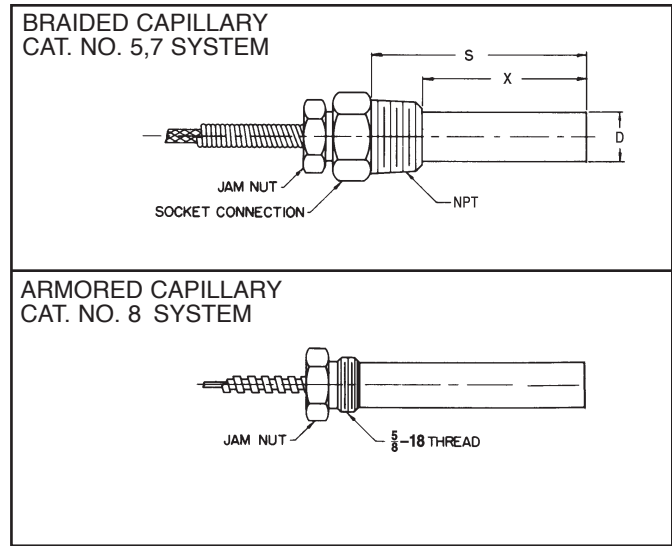
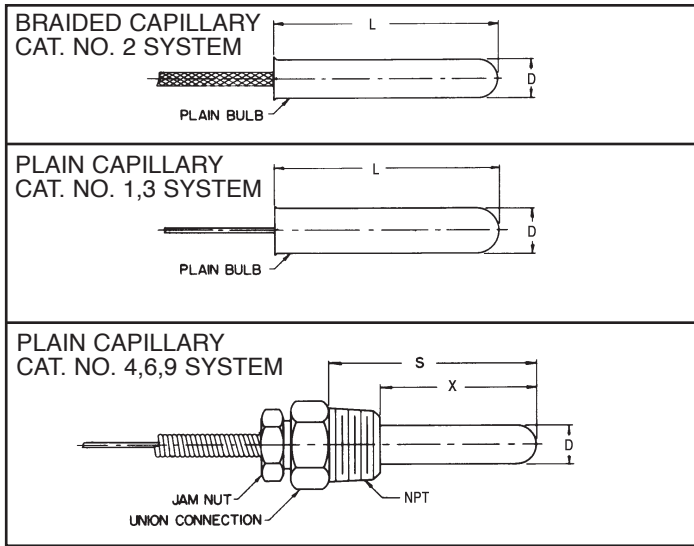
VII	1	PROCESS CONNECTION FITTING Union Connection 1/2" NPT 2 Union Connection 3/4" NPT 3 Separable Socket 1/2" NPT 4 Separable Socket 3/4" NPT 7 Air Duct Flange, Union Conn., Aluminum only 9 Plain bulb, no fitting
	2	
	3	
	4	
	7	
	9	
VIII	1	PROCESS CONNECTION MATERIAL Brass 2 304 Stainless Steel 3 316 Stainless Steel 5 Aluminum (Air Duct Flange only) 0 None - Plain Bulb
	2	
	3	
	5	
	0	
IX A-B	See Example Below	SYSTEM LENGTH SPECIFYING 9A - Use 2 digits: EX. 05, 10, 99 for length required. 9B - Use FT for feet, use IN for inches
IX C		SYSTEM TIN PLATING (IF REQUIRED) 9C - Use TIN (No. 1, 4 & 5 Thermal System*) NOTE: All other system plating consult factory. *Should be specified for Foodservice Equipment Thermometers

EXAMPLE FOR OBTAINING COMPLETE CATALOG NUMBER FROM CODES - SERIES 716

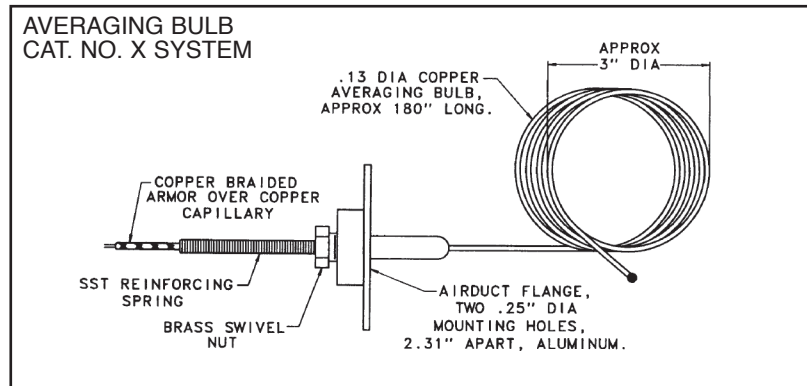
CODE I-IV (HEAD ASSY)	CODE V-VIII (THERMAL SYSTEM)	CODE IX A - B (CAPILLARY LENGTH)
20FB3	1690	05FT
CODE IX C		
— — —		
RANGE		
40-0-60 F&C		

Thermal Systems

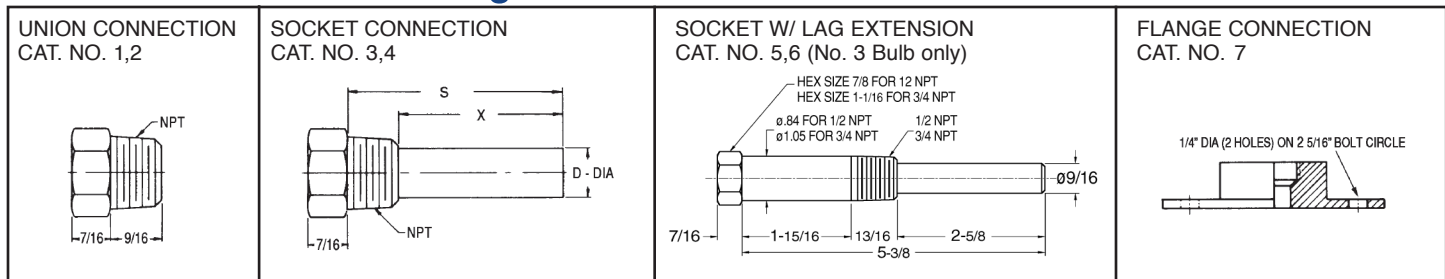
Code V



Code VI



Process Connection Fittings - Code VII

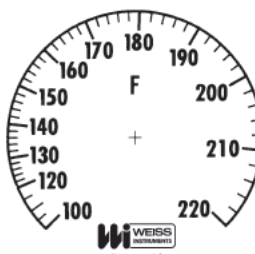
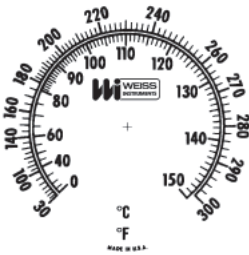
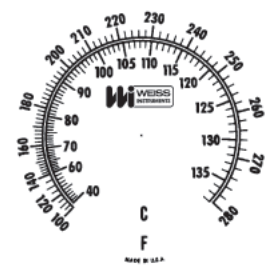
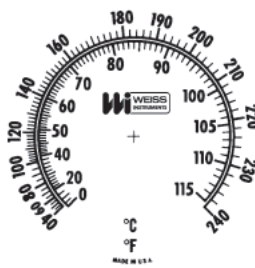
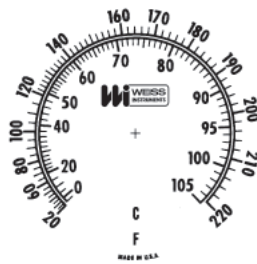
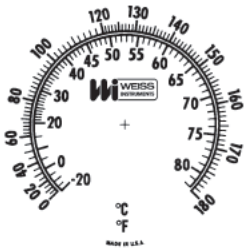
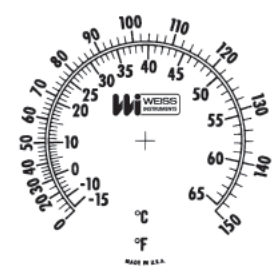
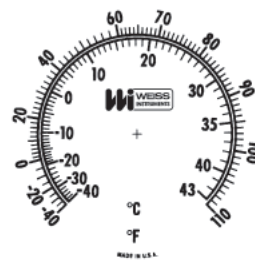
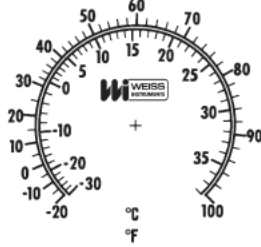
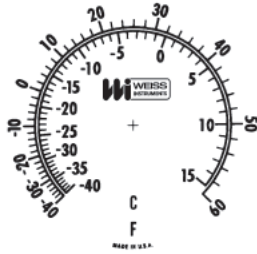


Bulb Dimensions

BULB NO. (CODE VI)	PLAIN CONNECTION		UNION CONNECTION			SOCKET CONNECTION			FLANGE CONNECTION	
	L	D	X	S	D	X	S	D	X	D
0	N/A	N/A	1	1 7/8	7/16	N/A	N/A	N/A	N/A	N/A
1	N/A	N/A	1 13/16	2 3/8	7/16	1 15/16	2 1/2	9/16	2 3/16	7/16
2	3 7/16	3/8	2 5/8	3 3/8	7/16	2 5/8	3 3/8	9/16	3	7/16
3	4 7/8	3/8	4 5/8	5 3/8	7/16	4 5/8	5 3/8	9/16	5	7/16
4	7 7/8	3/8	6 5/8	7 3/8	7/16	6 5/8	7 3/8	9/16	7	7/16
5	9 7/16	3/8	8 5/8	9 3/8	7/16	8 5/8	9 3/8	9/16	9	7/16
6	2 1/2	3/8	N/A	N/A	N/A	N/A	N/A	N/A	N/A	N/A
7	3	5/16	N/A	N/A	N/A	N/A	N/A	N/A	N/A	N/A

Standard Ranges

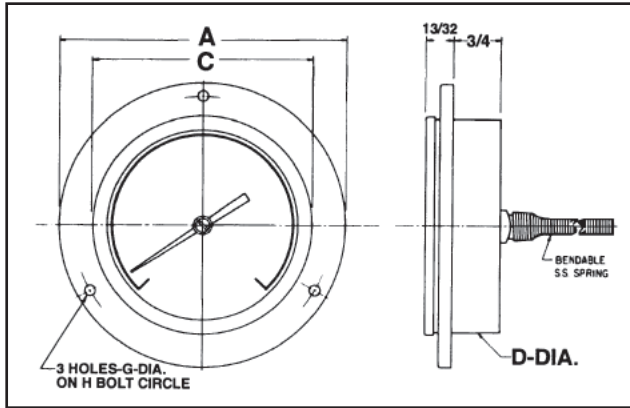
VTVA·VTR·716



NOTE: Careful consideration should be used when selecting a range, since Vapor Thermometers have

Dimensions

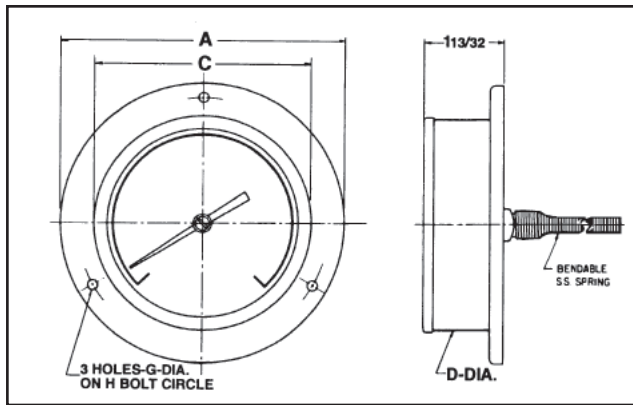
RB Case - Semi Flush Panel Mount



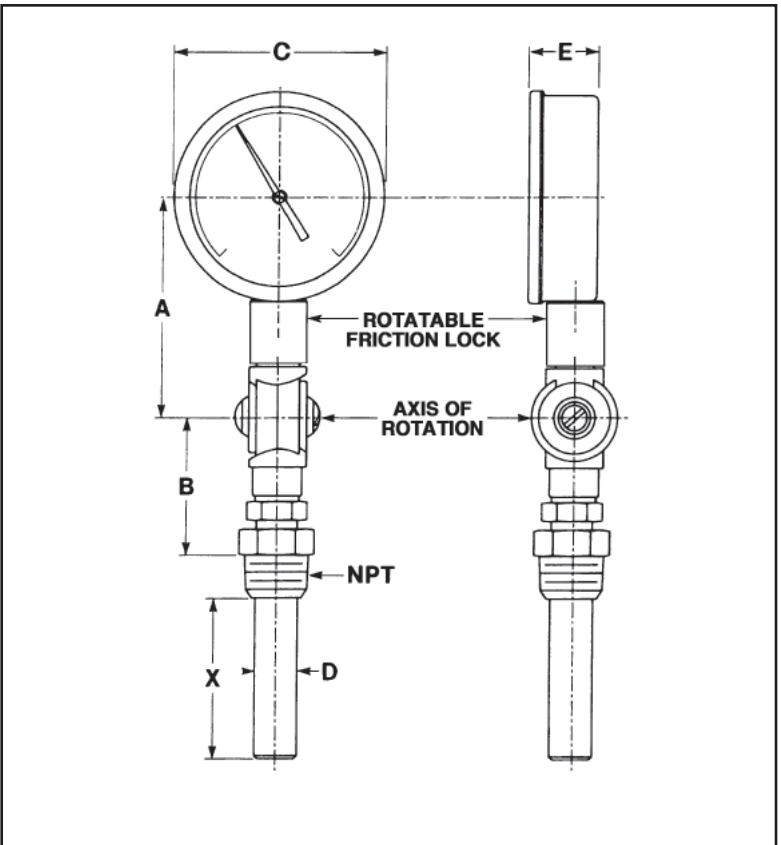
Series VTR Dimensions

DIAL SIZE	A	C	D	E	G	H	*PANEL HOLE
3 1/2"	4 3/4	3 11/16	3 19/32	1 1/4	5/32	4 5/16	3 5/8
4 1/2"	5 7/8	4 11/16	4 19/32	1 1/4	7/32	5 3/8	4 5/8

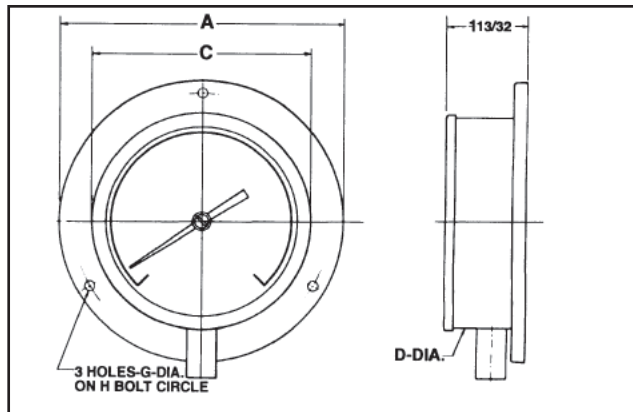
BB Case - Surface Mounted Back Connected



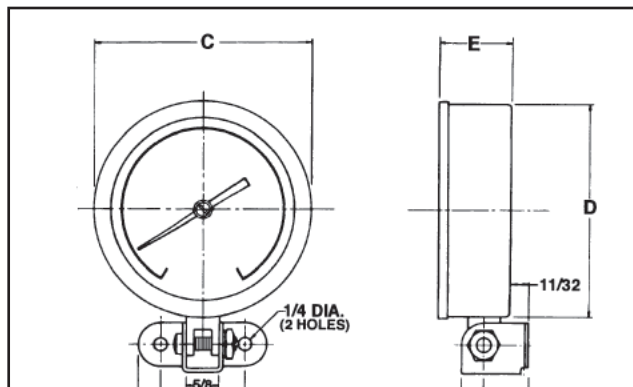
Series VTVA - Direct Mount



BL Case - Surface Mounted Bottom Connected



ZL Case - Adjustable Bracket Mount



DIAL SIZE	A	B	C	E	*D	**X LENGTH FOR BULB NO. (CODE VI)			
						2	3	4	5
3 1/2"	3 7/8	2 9/16	3 11/16	1 1/4	9/16	2 5/8	4 5/8	6 5/8	8 5/8
4 1/2"	4 3/8	2 9/16	4 11/16	1 1/4	9/16				

*D Dimension for Union Connection and Air Duct Union Elbow Case is 7/16"

Series 716 Dimensions

Series 716 - U-Clamp Case Styles

NOTE: CUSTOMER PANEL THICKNESS FOR MOUNTING FROM .03" TO .63".

Front Flange Style

Back Flange Style

Case Dimensions

CASE SIZE	CASE TYPE	CODE I	FLGE DIA. A	RING O.D. C	PANEL HOLE B	DIA. D	E	F	G	H	X CASE FRONT CODE IV		
											4	3	5
1-1/2"	U-CLAMP	15U	1-13/16	—	1-5/8	1-19/32	7/8	1-1/16	—	—	—	—	—
2"	U-CLAMP	20U	2-7/32	2-11/16	2-1/16	2-1/32	31/32	1-3/8	—	—	3/16	3/32	—
2"	FRONT FLGE	20F	2-15/16	2-11/64	2-1/16	2-1/32	31/32	—	9/64	2-9/16	3/16	3/32	—
2-1/2"	U-CLAMP	25U	2-13/16	2-7/8	2-39/64	2-9/16	1	2	—	—	3/16	1/4	—
2-1/2"	FRONT FLGE	25F	3-11/16	2-7/8	2-39/64	2-9/16	1	—	11/64	3-5/16	3/16	1/4	—
2-1/2"	FRONT FLGE	25S	3-11/16	2-7/8	2-21/32	2-41/64	3/4	—	7/32	3-5/16	3/8	—	—
3-1/2"	FRONT FLGE	35S	4-3/4	3-31/32	3-5/8	3-19/32	3/4	—	5/32	4-5/16	7/16	—	—
3-1/2"	U-CLAMP	35J	3-31/32	3-31/32	3-5/8	3-19/32	3/4	3-1/16	—	—	7/16	—	—